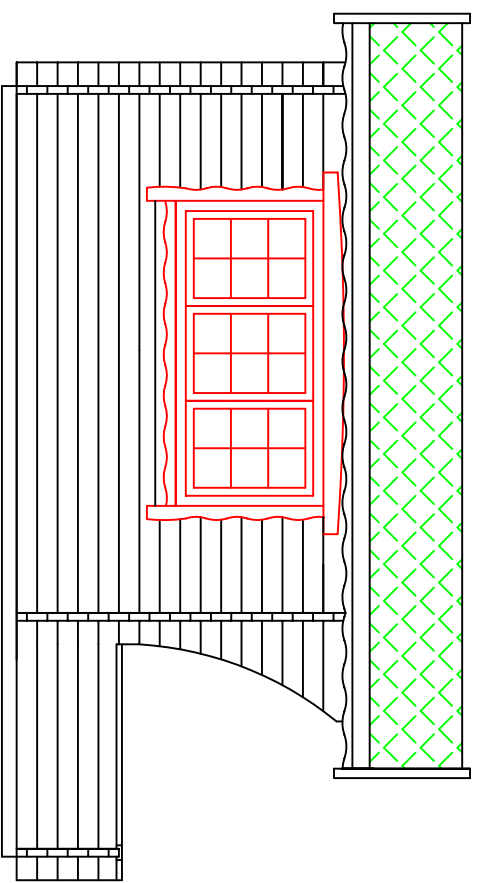
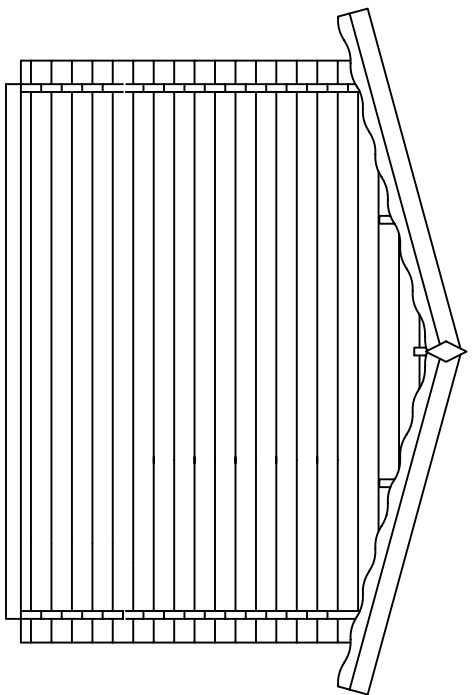


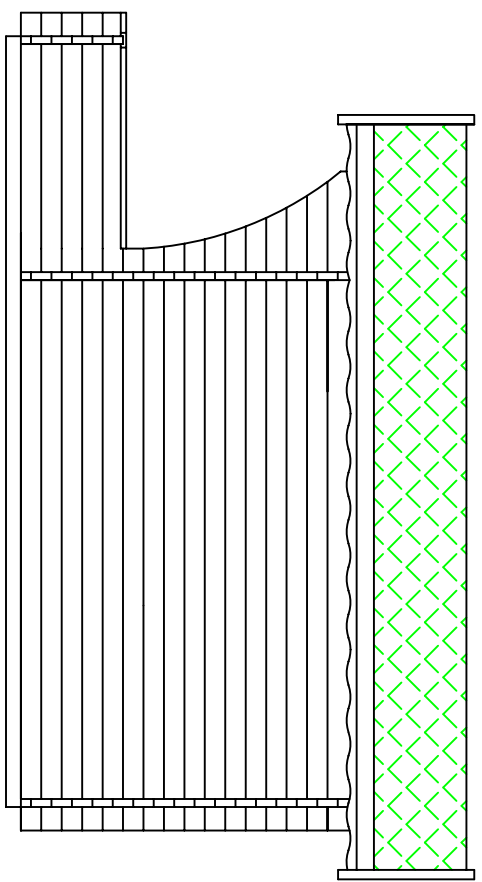
Section -A



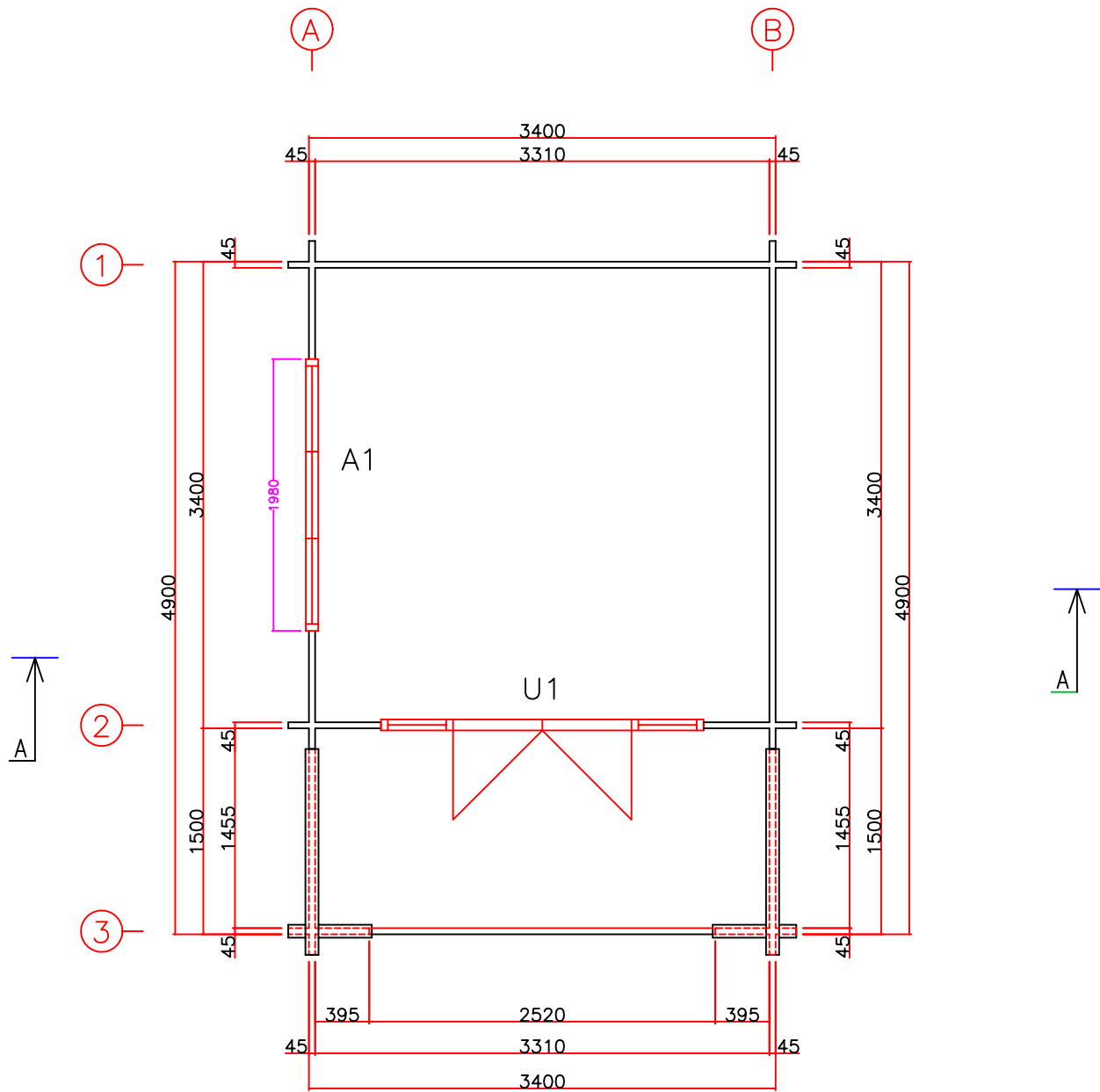
Section -C



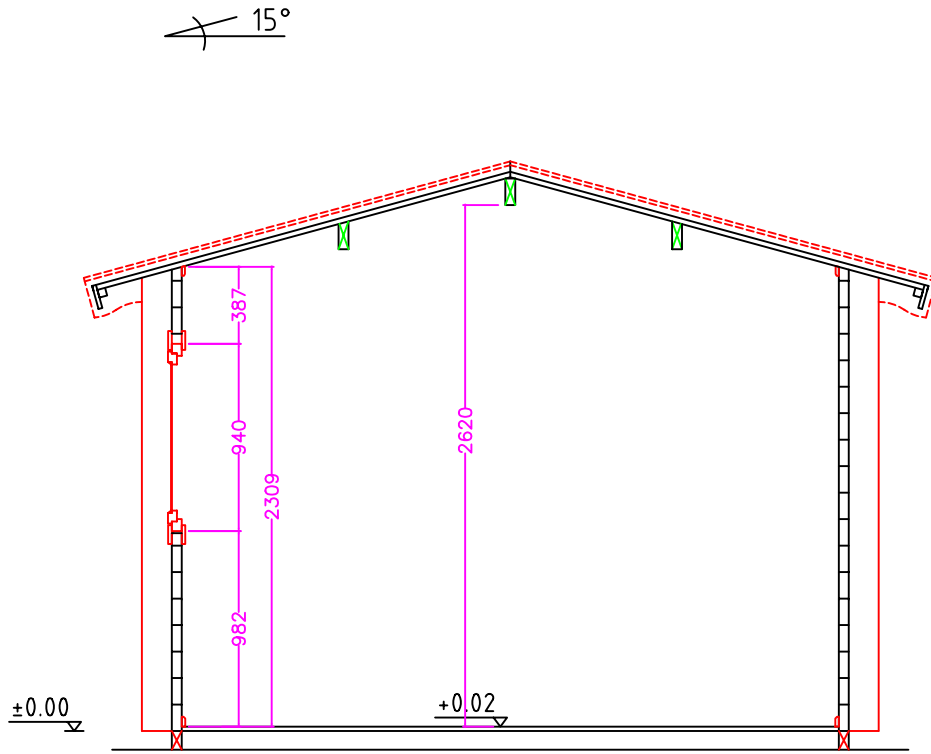
Section -B



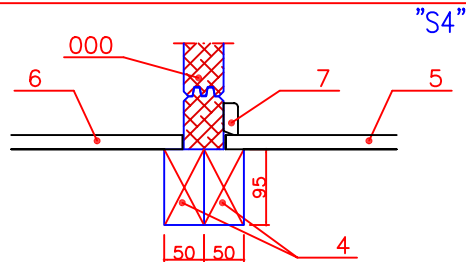
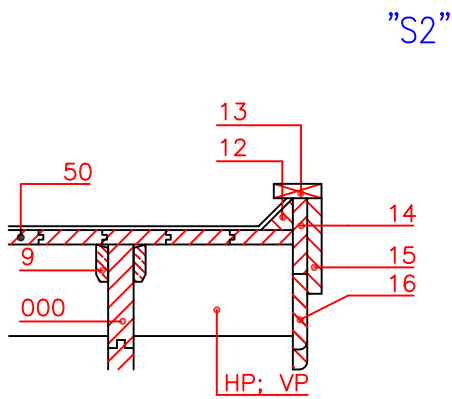
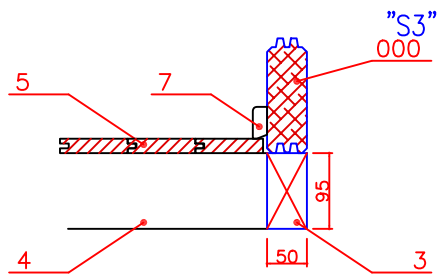
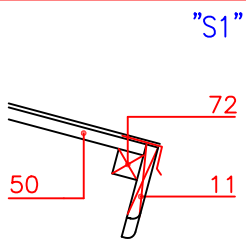
Section -D



|                  |                          |                  |
|------------------|--------------------------|------------------|
| GRUNDRISS        |                          | Page: 2          |
| Drawn by:<br>JPK | File:<br>Gartenschloß 45 | Measure:<br>1:50 |



Cross-section A-A



CROSS-SECTION  
M 1: 40