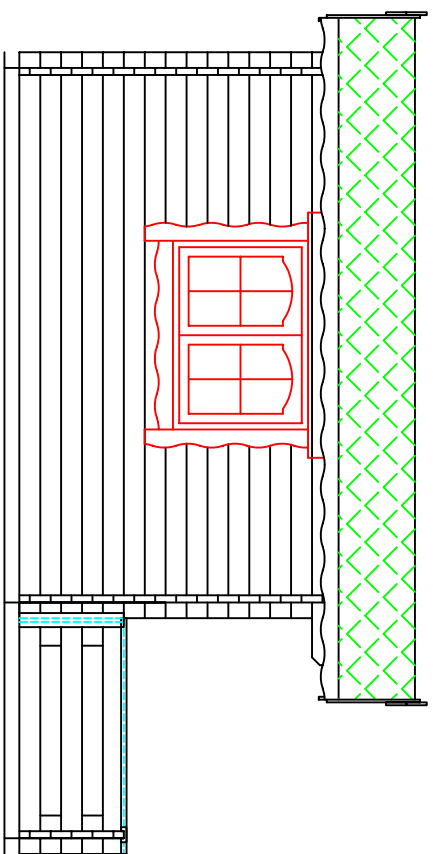
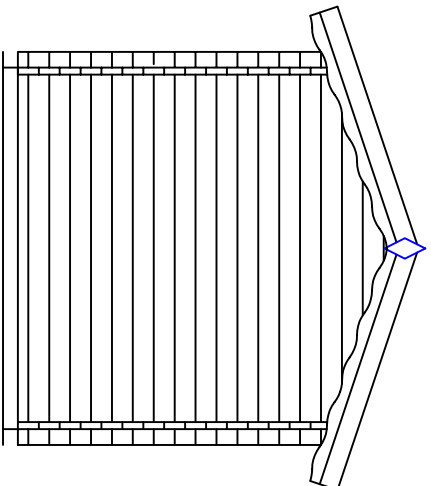


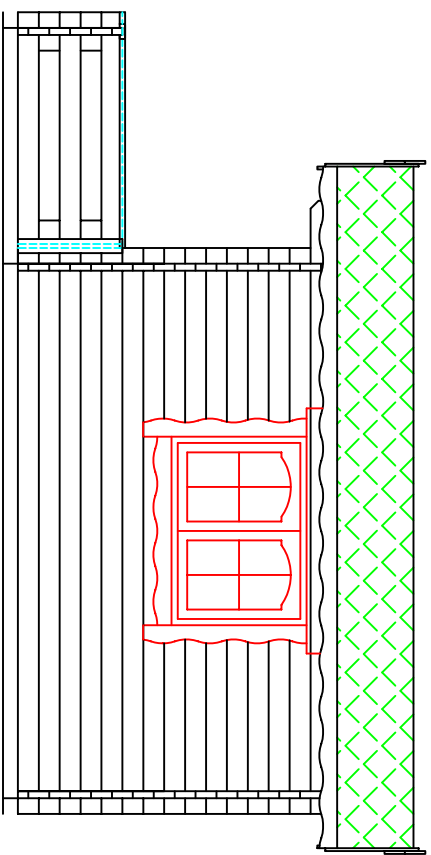
Section-A



Section -C

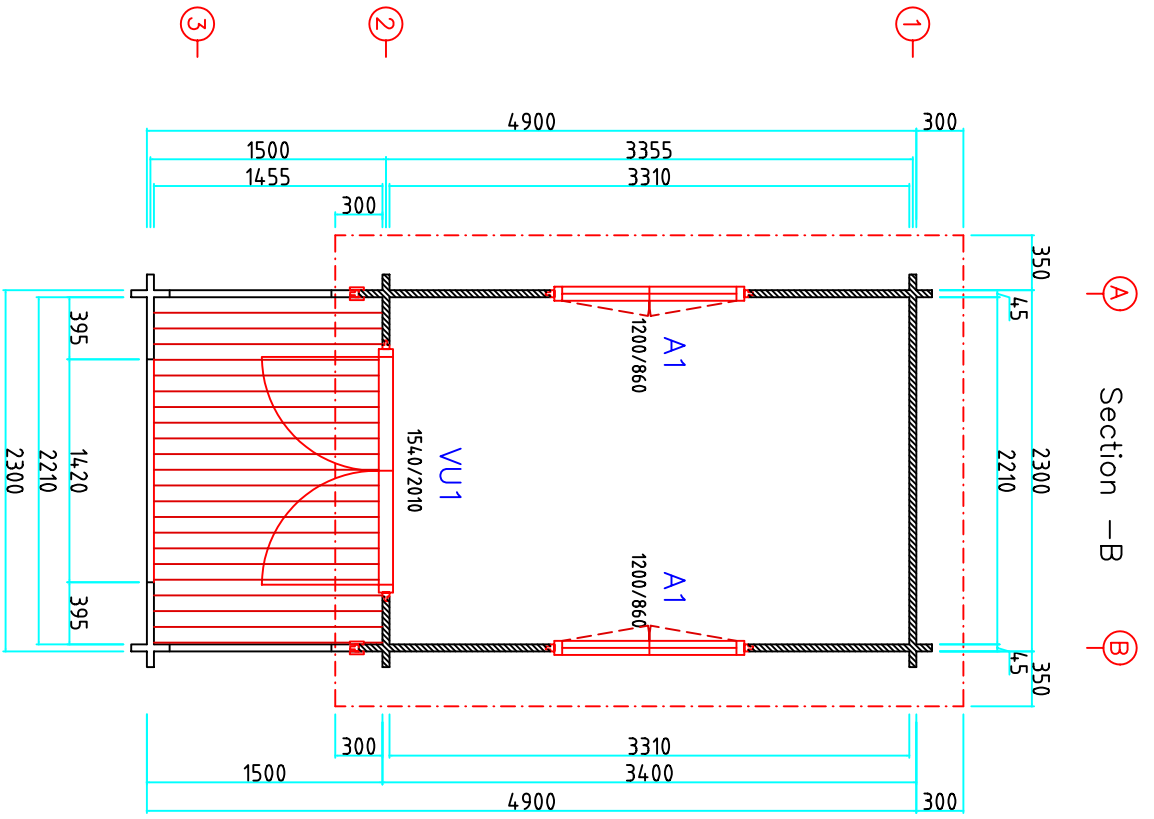


Section -B



Section -D

Section -C

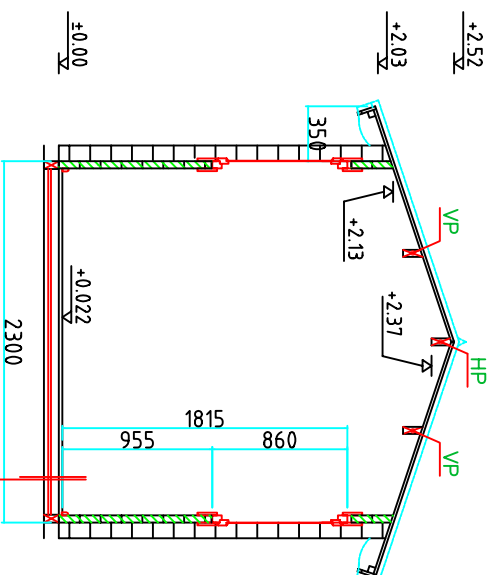


Section -D

Section -A

GROUND PLAN	Page: 2
Drawn by: REBANE	Measure 1:50
File: SHOW CABIN	
28.05.2004	

19°



Floor board	22x85mm
Paper	50mm
Insulation	4.5x95mm
Floor beam	18x85mm
Black floor	27x32mm
Black floor fixing slat	27x32mm

Cross-section A-A

Pos.Nr.	Name of material

CROSS-SECTION

Drawn by:	SHOW CABIN	Page: 5
ALVAR REBANE	28.05.2004	Measure 1:50