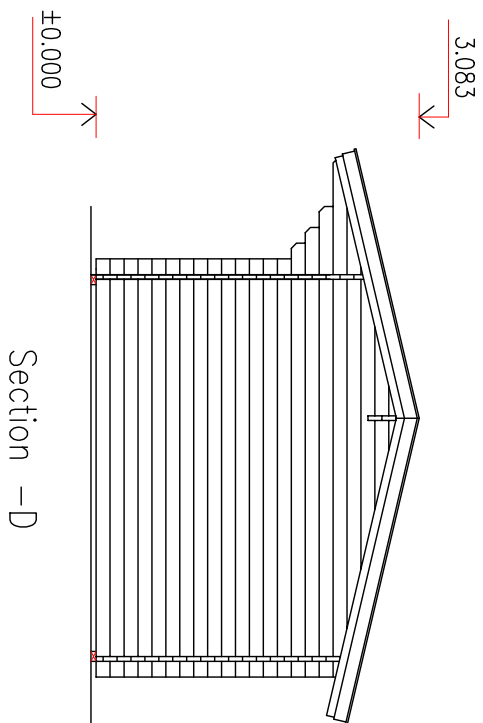


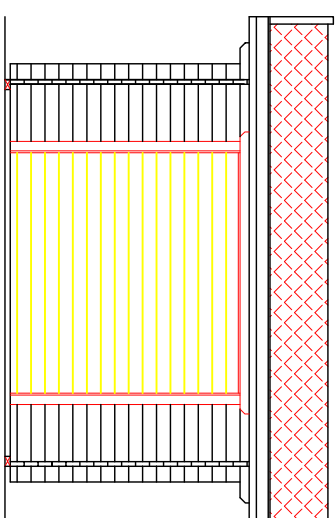
13°



Section -D

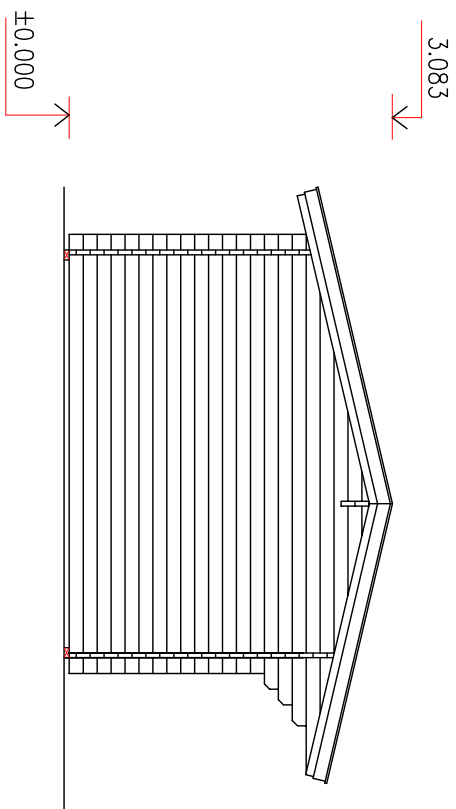
3.083

±0.000



Section -A

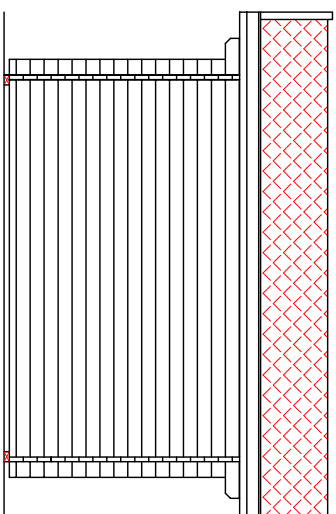
13°



Section -C

3.083

±0.000



Section -B

PLAN

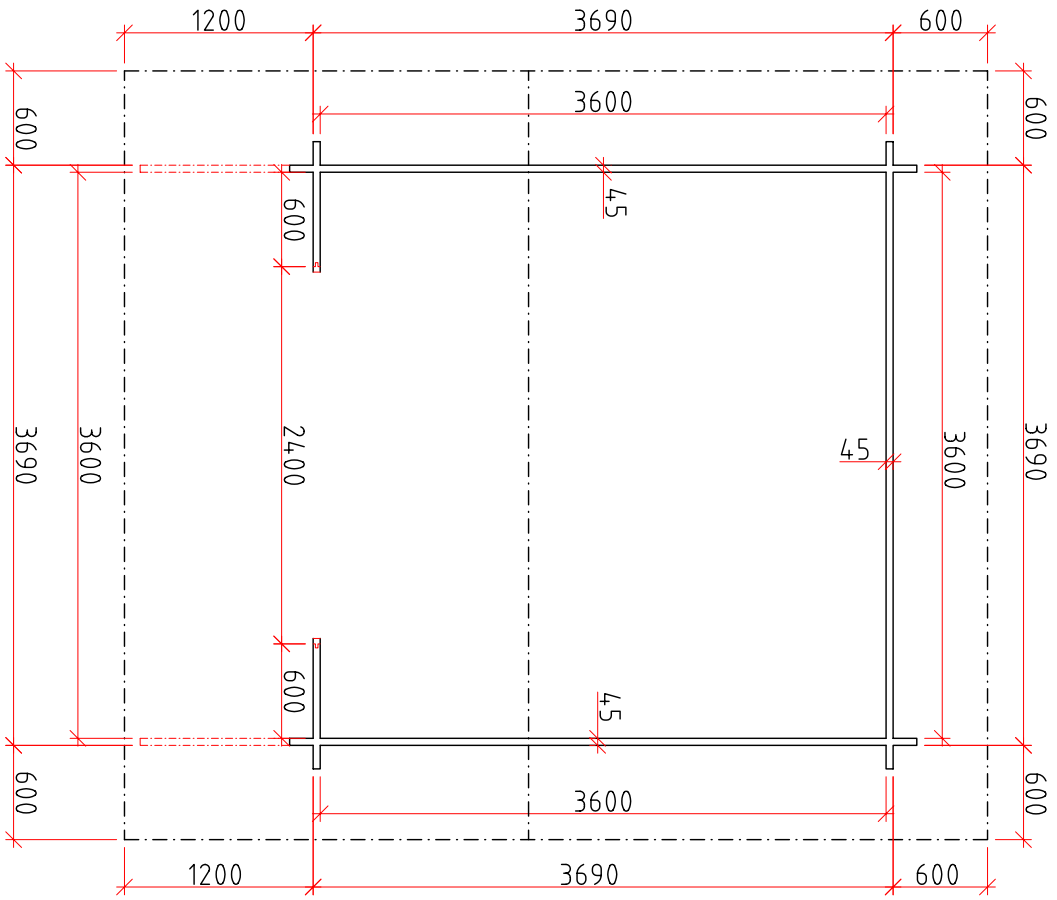
Architect:  
Tarmo Tigane

FIELD SHELTER

Sheet:1

Scale:  
1:100

Section -C



Section -B

Section -D

Section -A

Drawn by: Tarmo Tigane	GROUND PLAN	Page: 2
FIELD SHELL TERS		Measure: 1:50