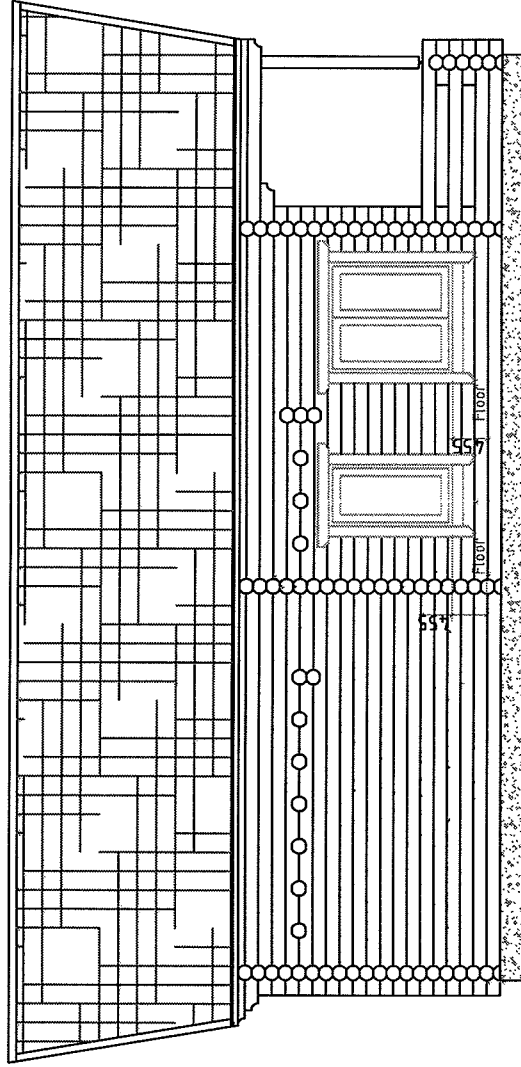


Section - A

Round log ?195mm

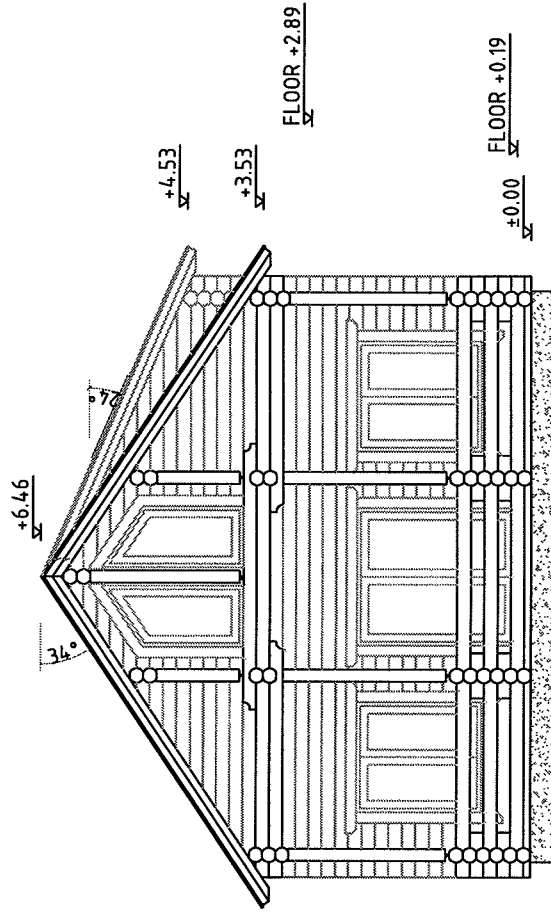
SECTION		AE:4.1
Drawn by: A.Rebane	HILLSIDE TYPE-A (p5) 08-02-2006/02:36p	1:100



Section - B

Round log ?195mm

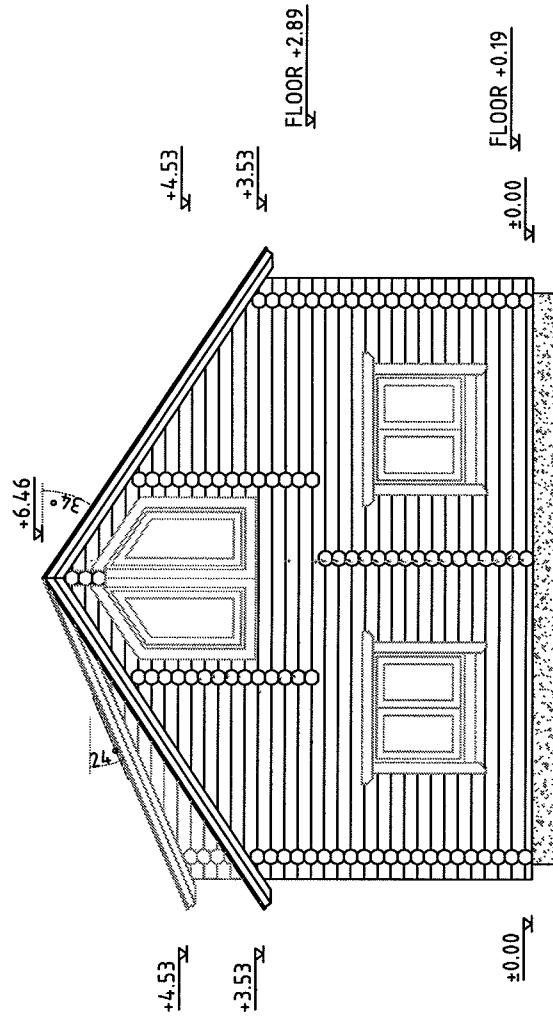
SECTION		AE.4.1.1
Drawn by: A.Rebane	HILLSIDE TYPE-A (p5) 08-02-2006/02:36p	1:100



Section - C

Round log ?195mm

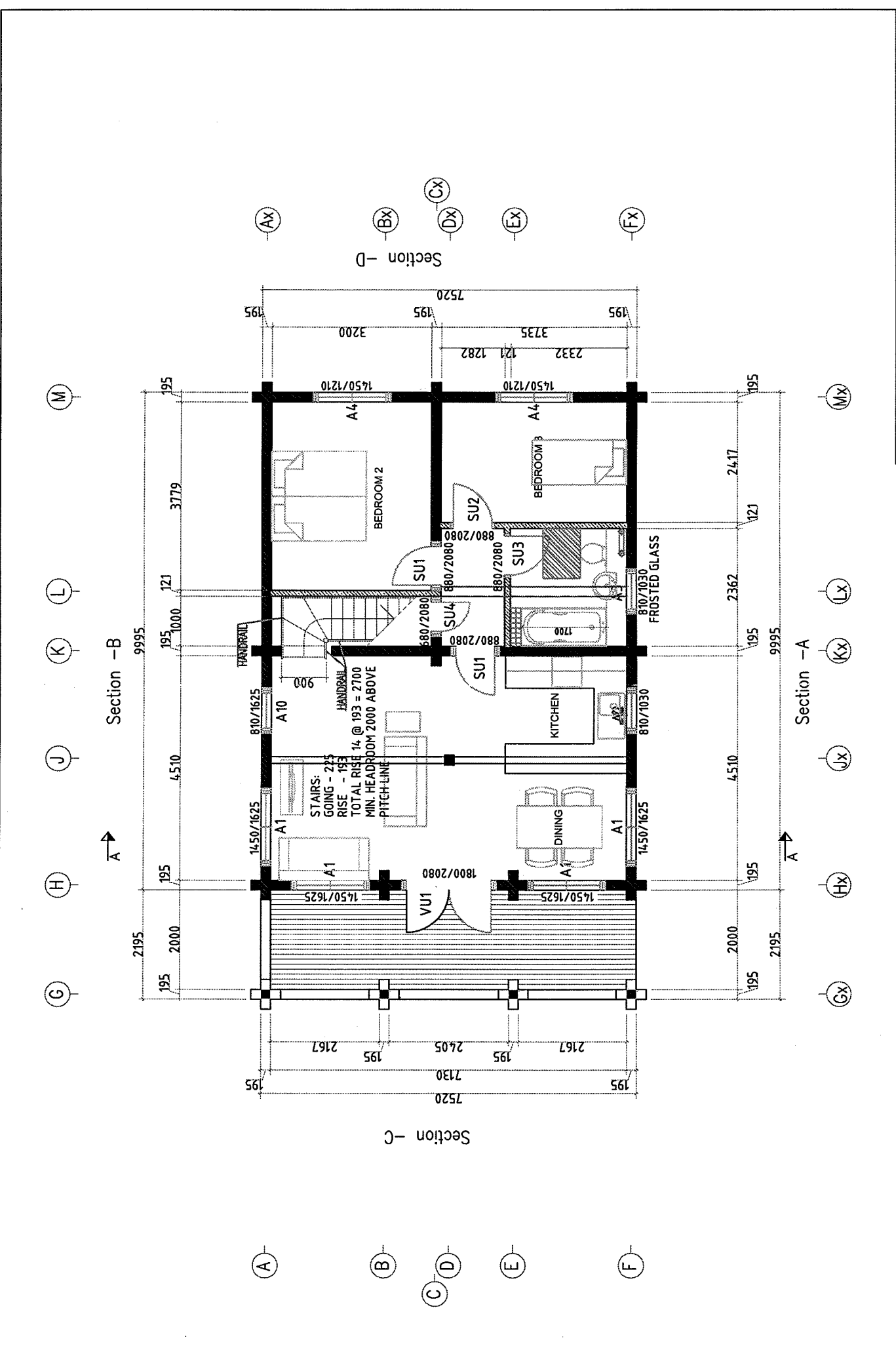
SECTION		AE-4.1.2
Drawn by:	HILLSIDE TYPE-A (p5)	08-02-2006/02:36p
A.Rebane		1:100



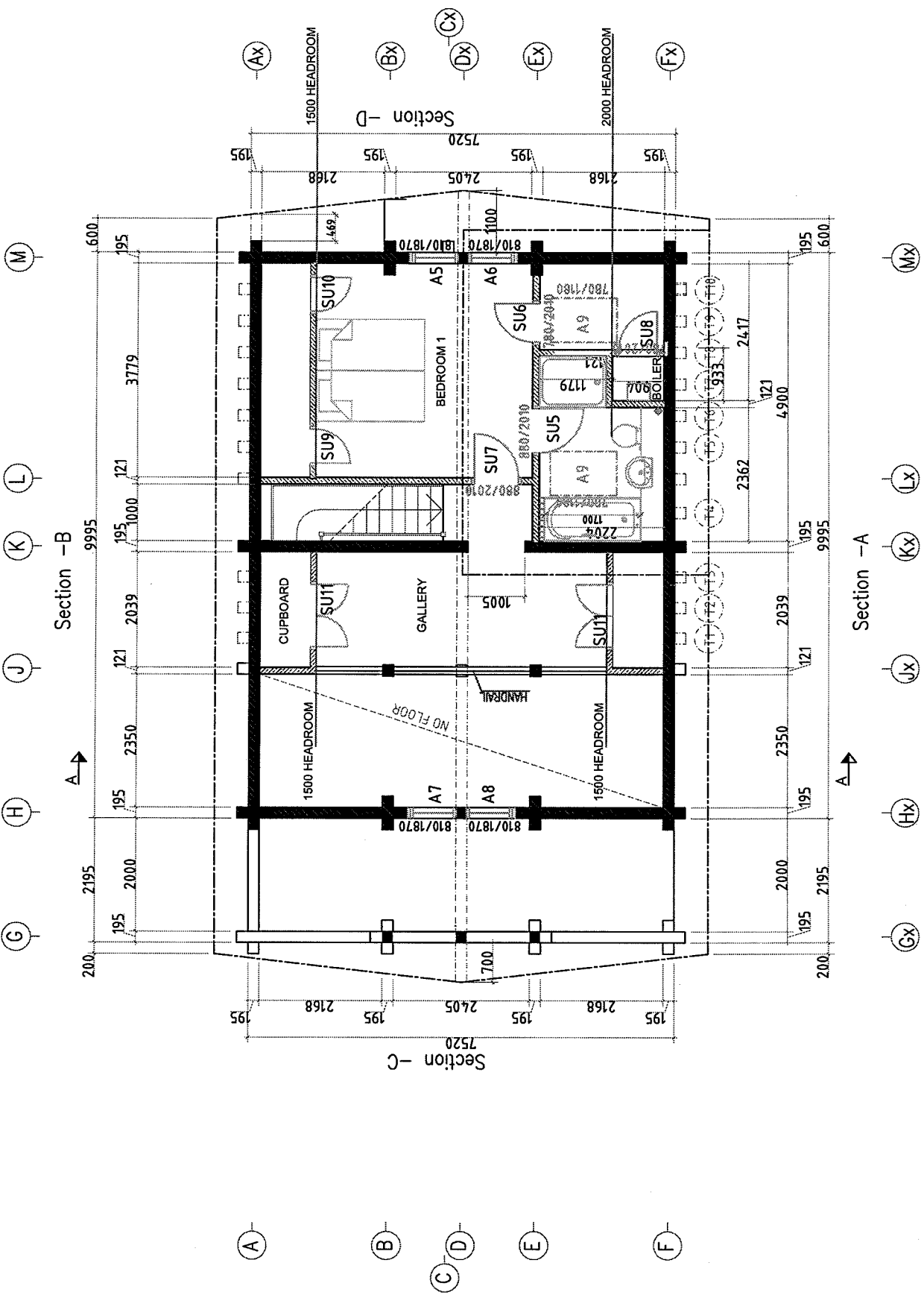
Section - D

Round log 2195mm

SECTION		AE:4.1.3
Drawn by:	A.Rebane	HILLSIDE TYPE-A (p5) 08-02-2006/02:36p
		1:100



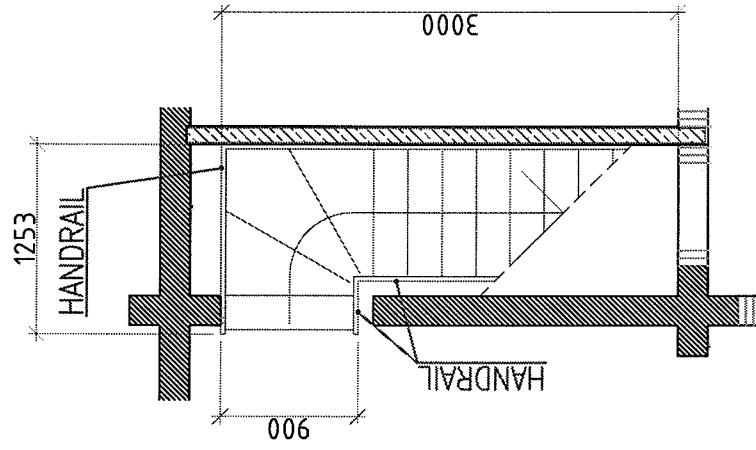
GROUND PLAN		AE:4.2
Drawn by:	A.Rebane	HILLSIDE TYPE-A (p5) 08-02-2006/02:36p
		1:100



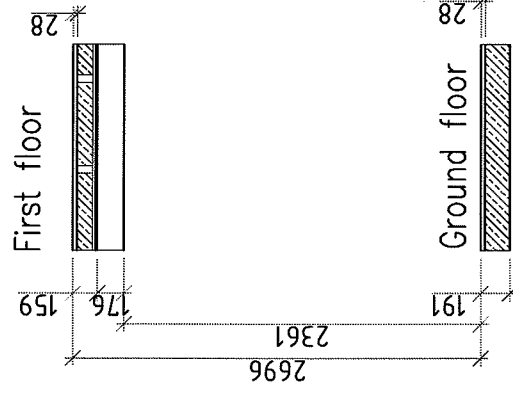
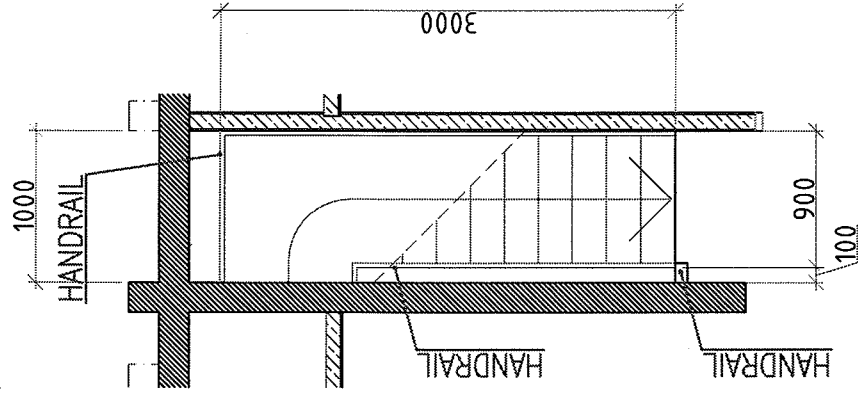
GROUND PLAN (+2.89)		AE:4.2.1
Drawn by:	A.Rebane	HILLSIDE TYPE-A (p5) 08-02-2006/02:36p
		1:100

House "HILLSIDE TYPE-A (plot 5)"

Top view gfl.

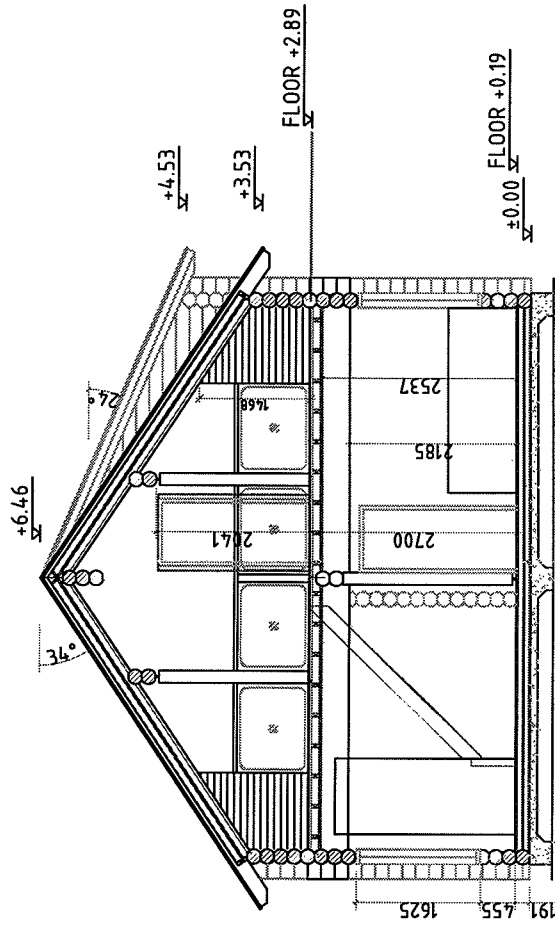


Top view 1fl.



With riser behind the steps.

* To height (2696) the settling reserv 70...90 mm must be added.



Cross-section A-A

CROSS-SECTION		AE:4.4
Drawn by:	A.Rebane	Measure: 1:100
HILLSIDE TYPE-A (p5) 08-02-2006/02:36p		