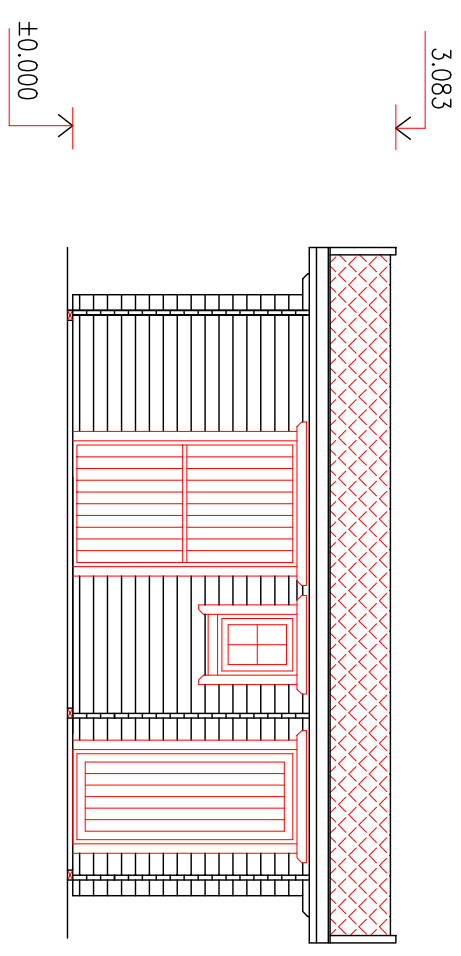
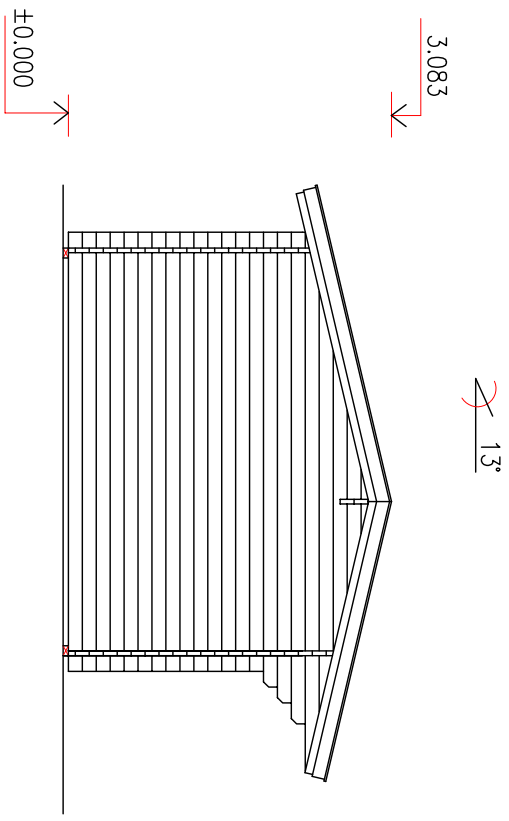


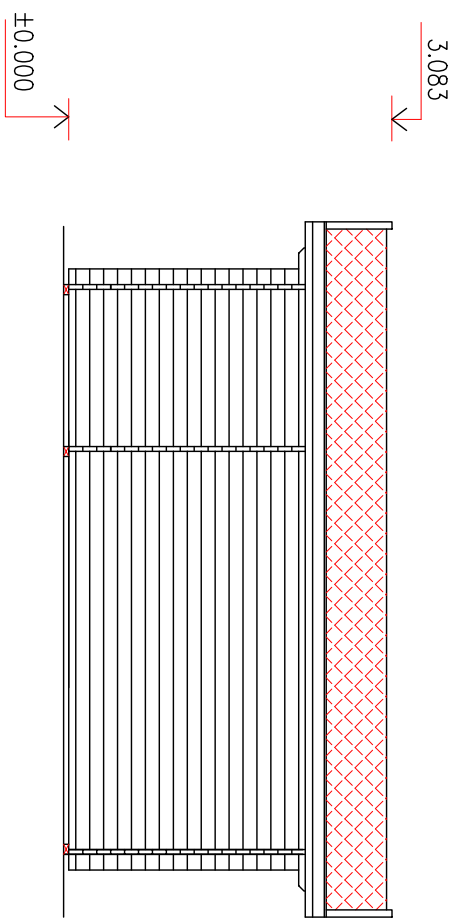
Section -D



Section -A



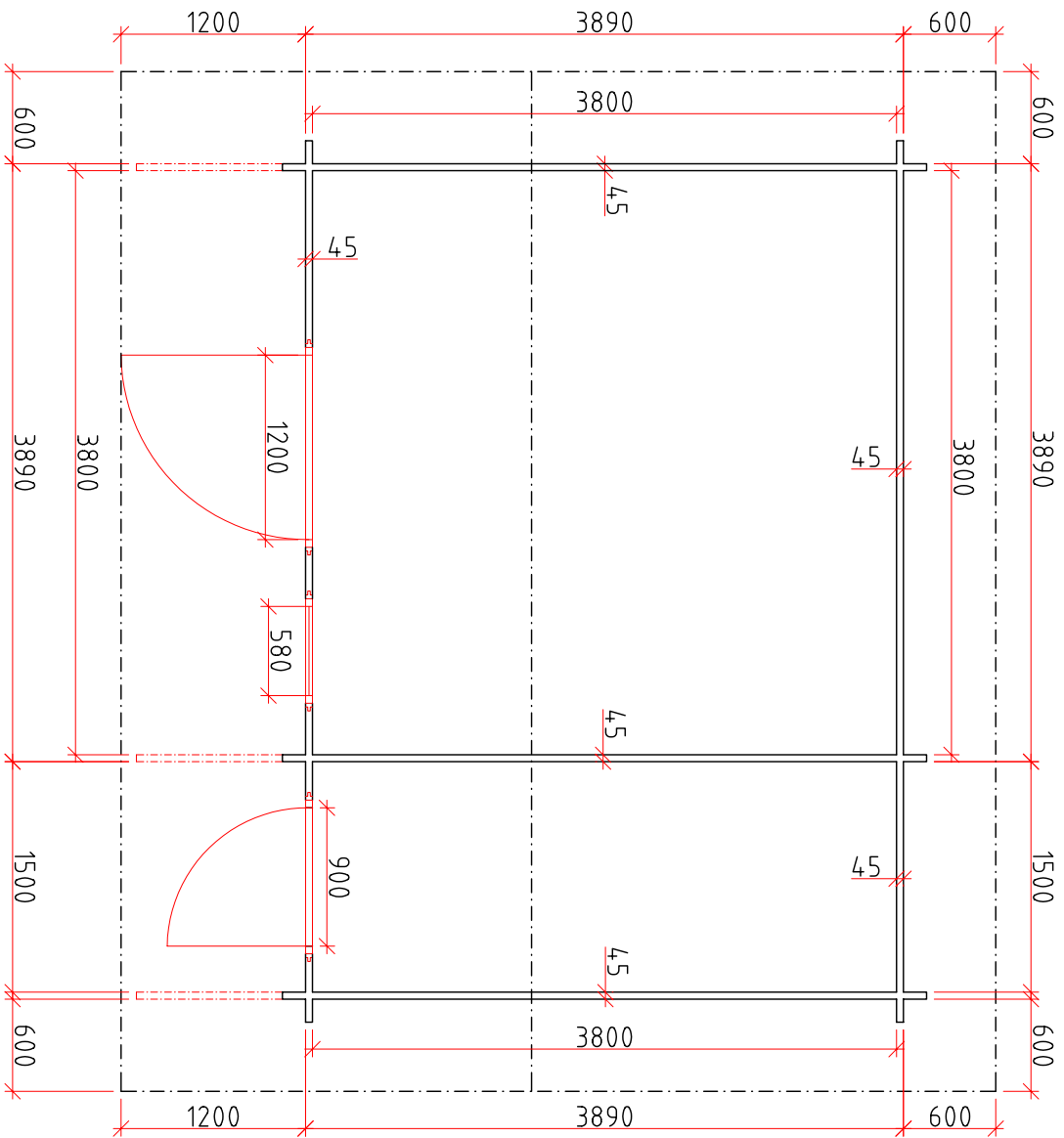
Section -C



Section -B

PLAN		Sheet:1
Architect:	HORSE STABLES	Scale:
TIGANE		1:100

Section -C



Section -B

Section -D

Section -A

GROUND PLAN		Page: 2
Drawn by: Tigane	Horse stables	Measure: 1:50