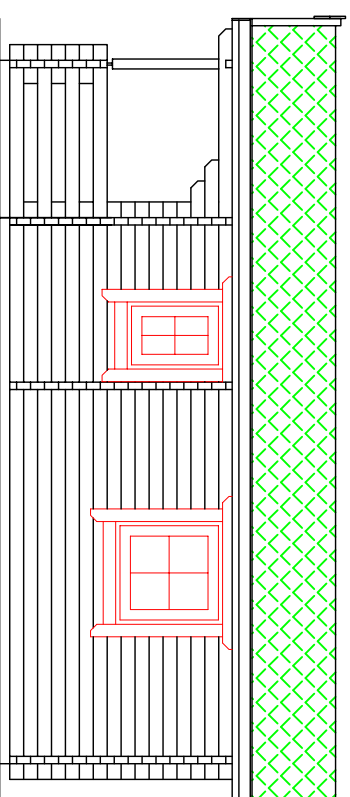
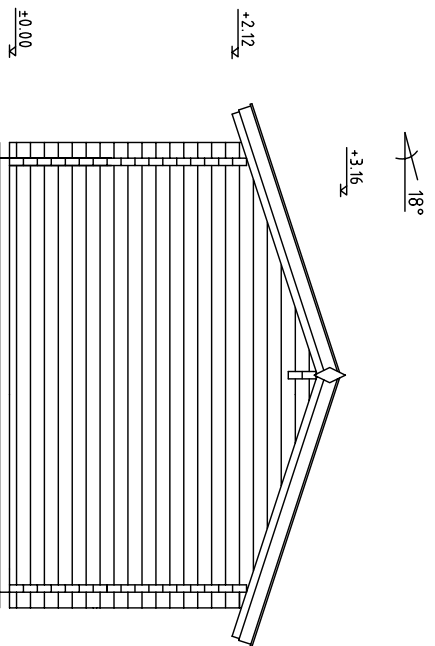


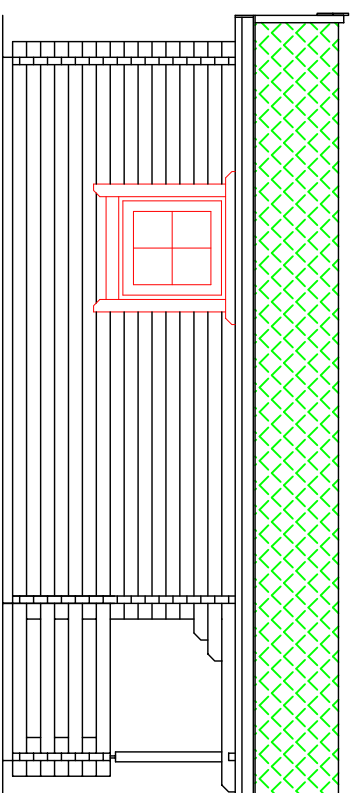
Section -A



Section -C



Section -B



Section -D

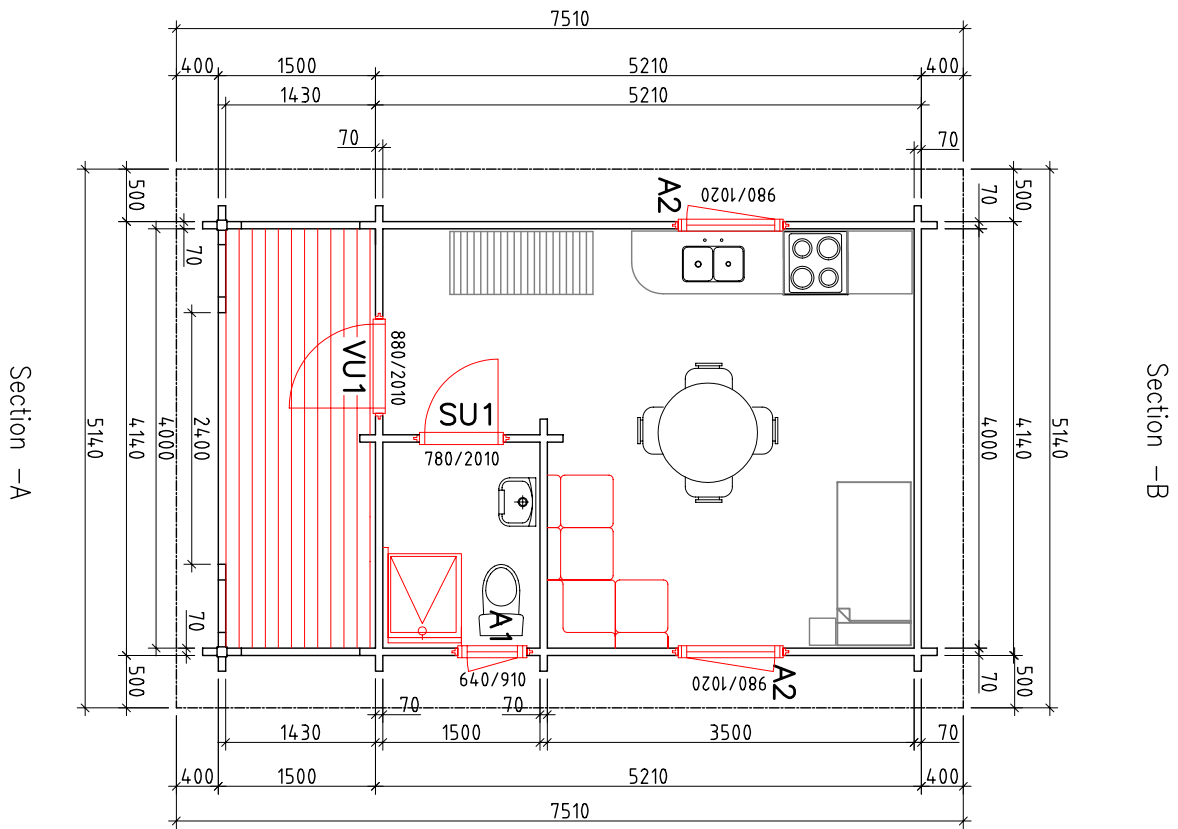
SECTIONS

Drawn by:  
Tarmo Tigane

JOCO 215

Page: 1.1  
Measure:  
1:75

Section -D



Section -C

Section -A

Section -B

Drawn by: Tarmo Tiigane	GROUND PLAN	Page: 2
	JOCO 215	Measure: 1:75