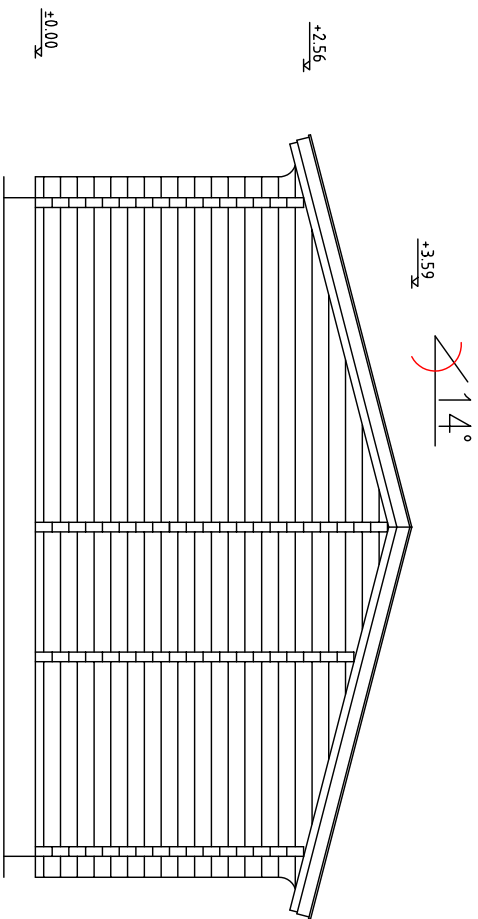
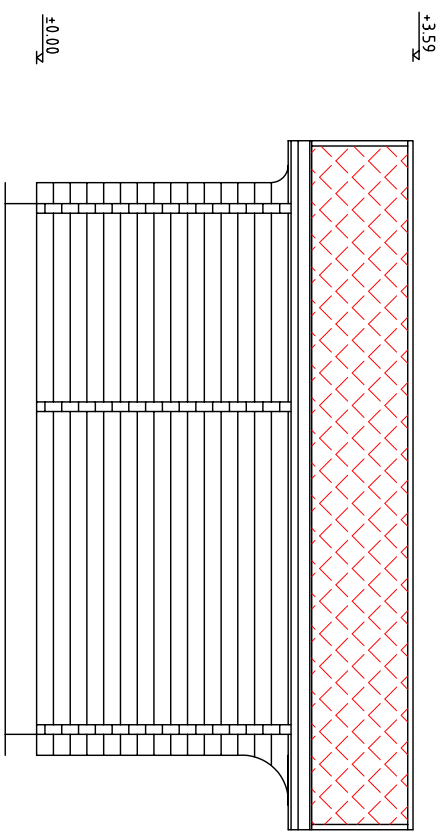


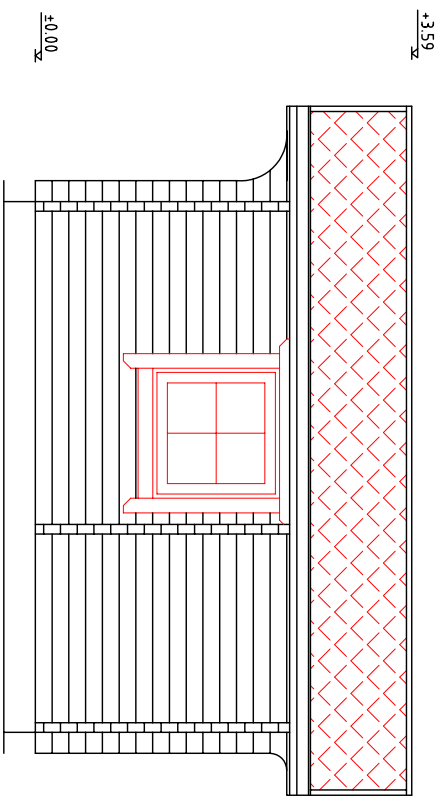
Section -A



Section -B



Section -C



Section -D

