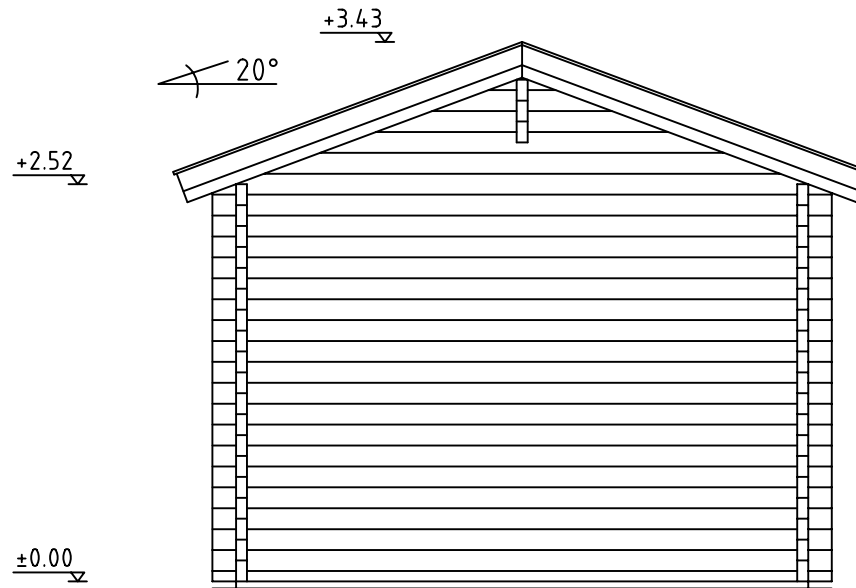


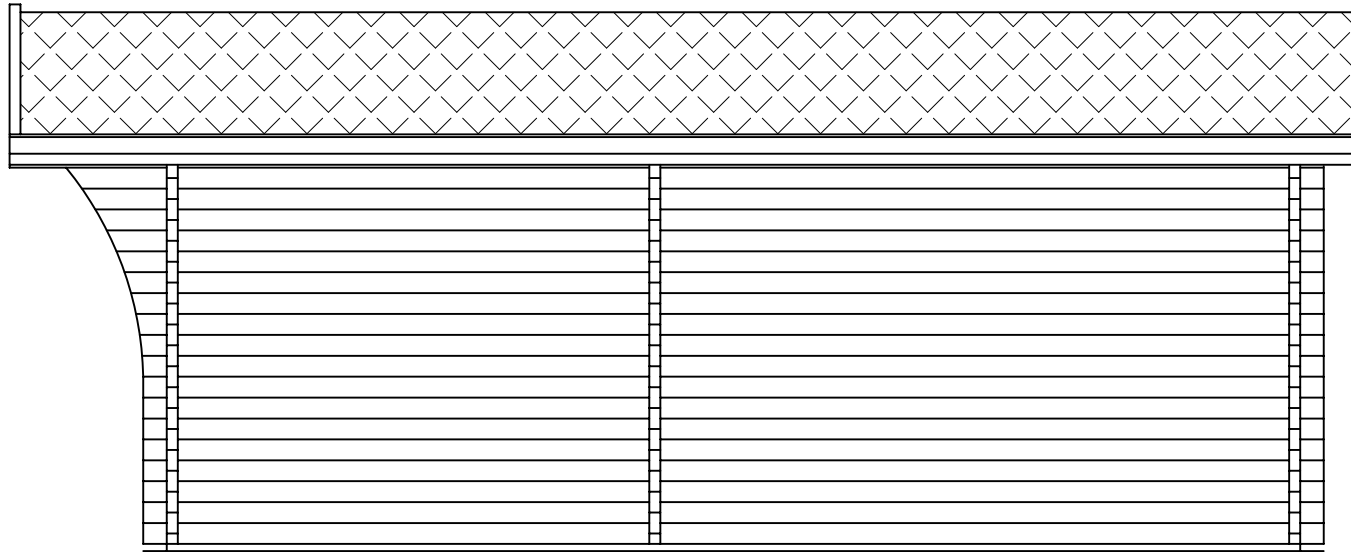
Section-A



Section-B

SECTIONS		Page:4.1
Drawn by: Tarmo Tigane	WAYMOUTH LOG CABIN	Measure: 1:50

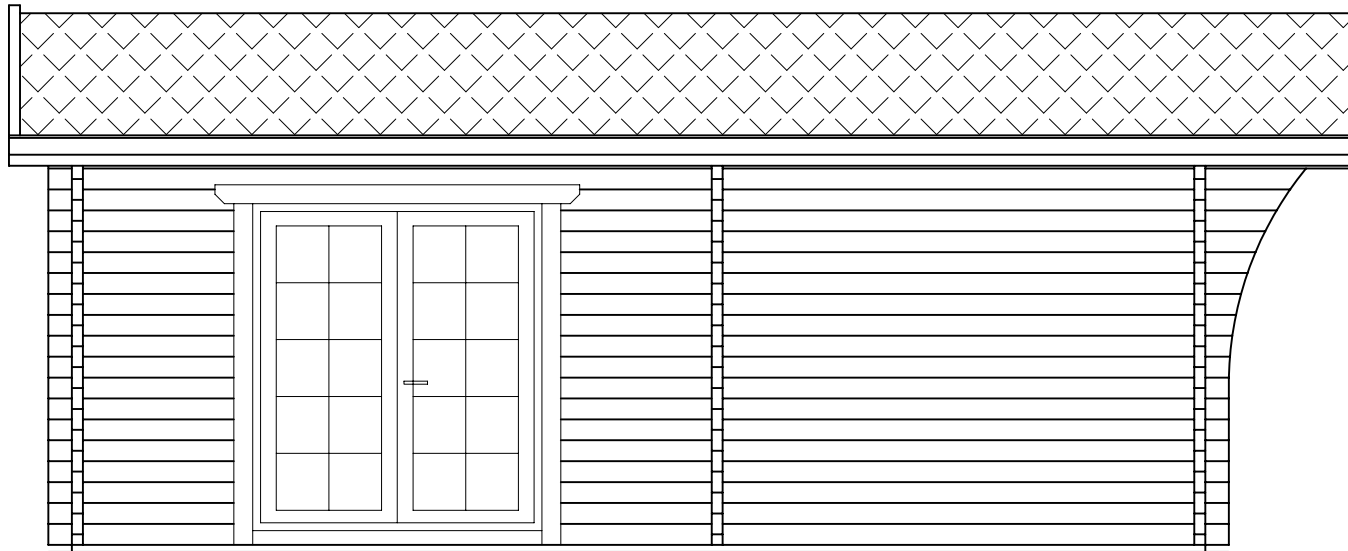
+3.43



±0.00

Section-C

+3.43

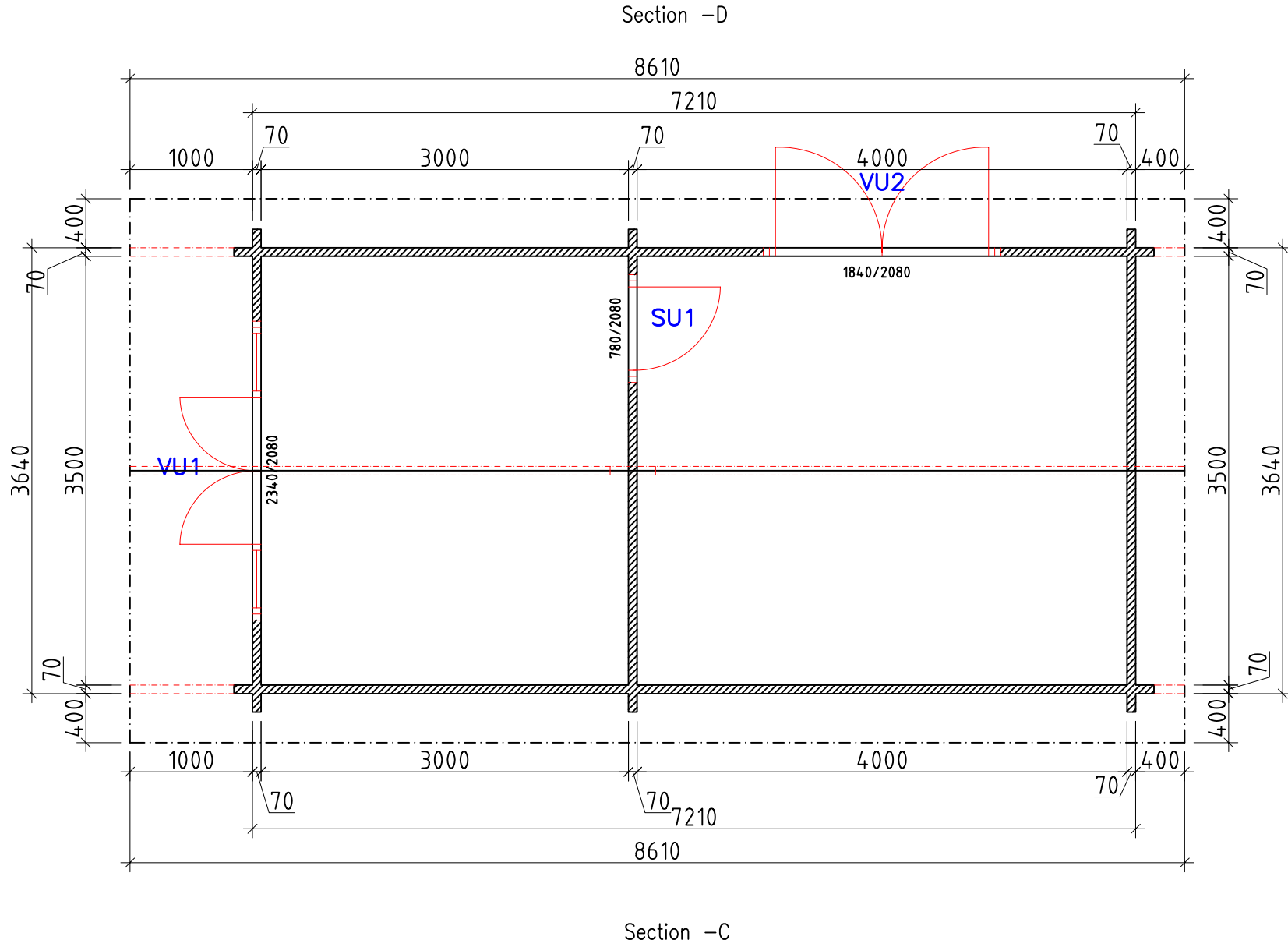


±0.00

Section-D

SECTIONS		Page:4.1.1
Drawn by: Tarmo Tigane	WAYMOUTH LOG CABIN	Measure: 1:50

Section -A

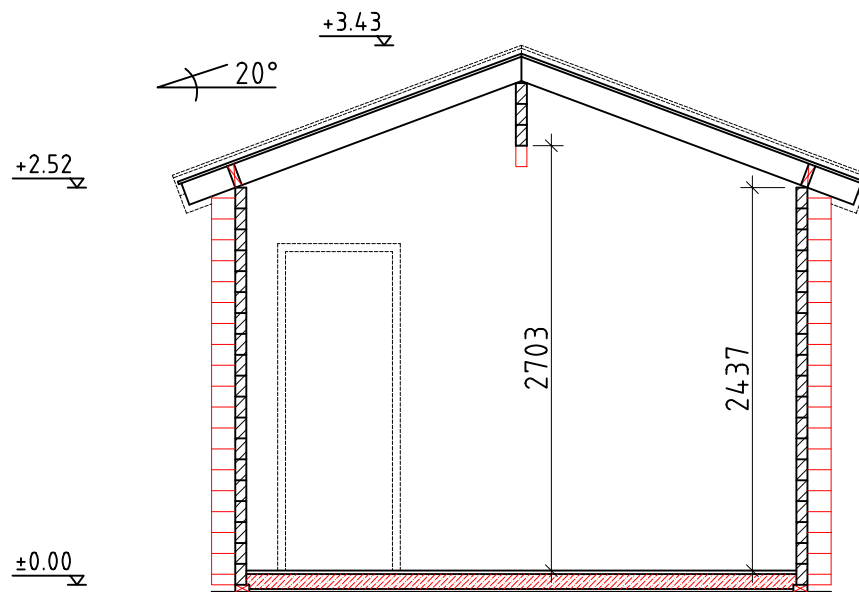


Section -B

Section -C

Section -D

GROUND PLAN		Page:4.2
Drawn by: Tarmo Tigane	WAYMOUTH LOG CABIN	Measure: 1:50



Cross-section A-A

CROSS-SECTION		Page:4.4
Drawn by: Tarmo Tigane	WAYMOUTH LOG CABIN	Measure: 1:50