



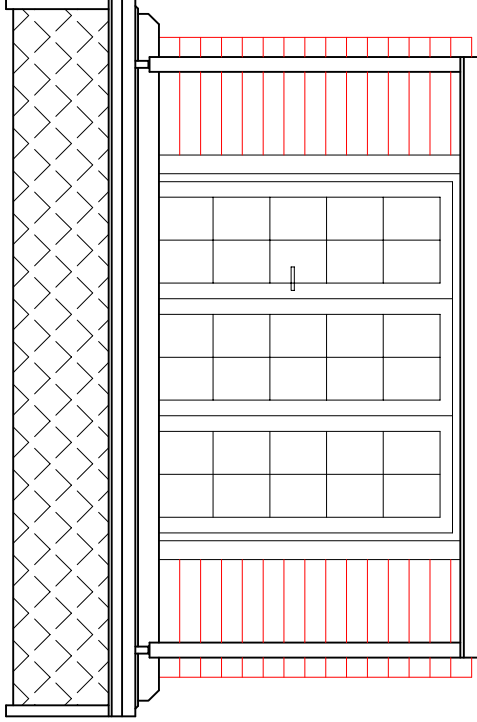
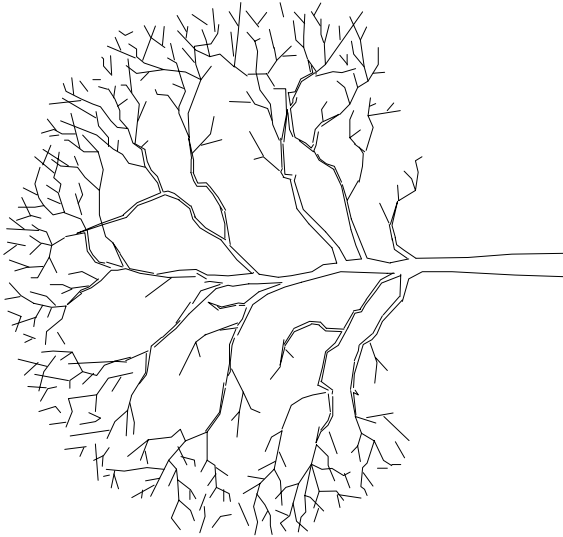
Kaseküla 14, 61504 Elva
Estonia

Phone: +37 27 - 356 653

Fax: +37 27 - 457 238

E-mail: rpm@rpm.ee

http: //www.rpm.ee



BALDREY PAVILLION

Customer : NFLC

Manufactured : RPM Ltd

Contract Nr. : #45x133

Wall beam (in mm): 14.9 m²

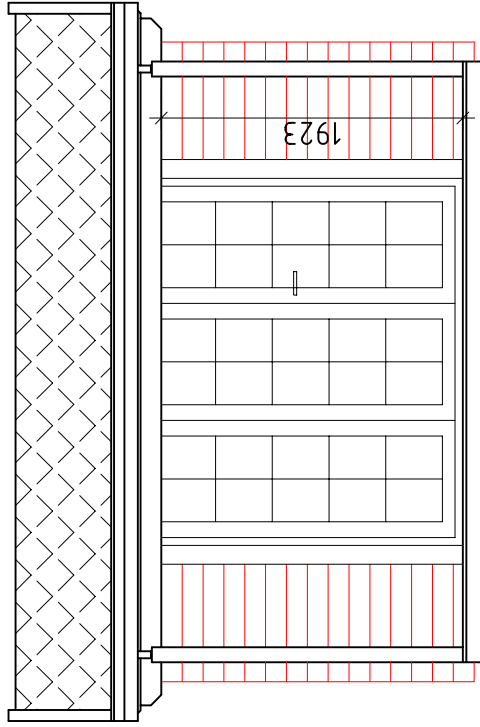
Total area (in m²) :

Chairman of RPM Ltd : Enno Kuldkepp

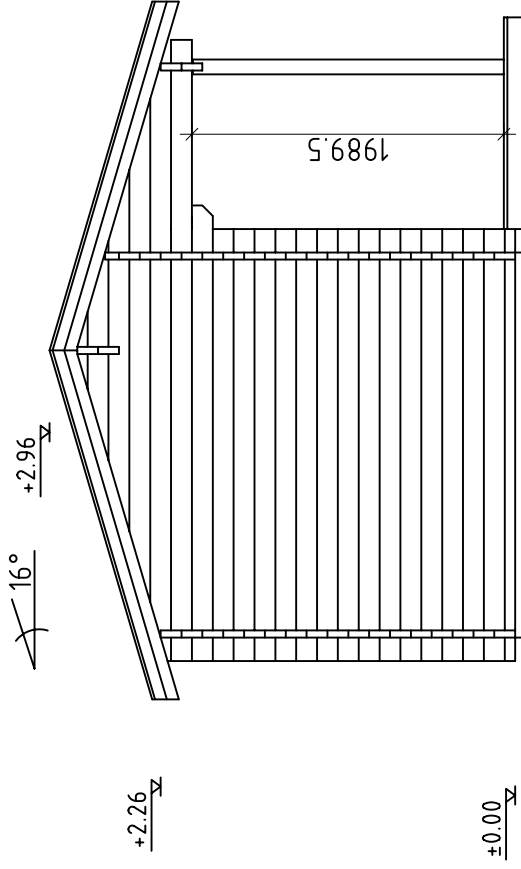
" " 2005a.

Customer:

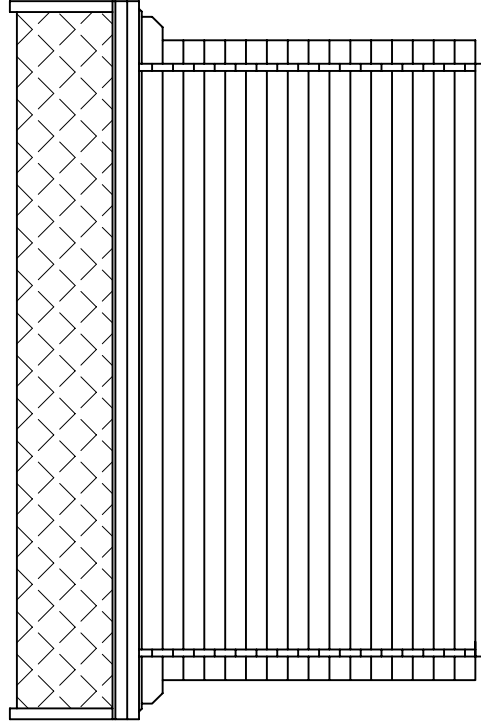
" " 2005a.



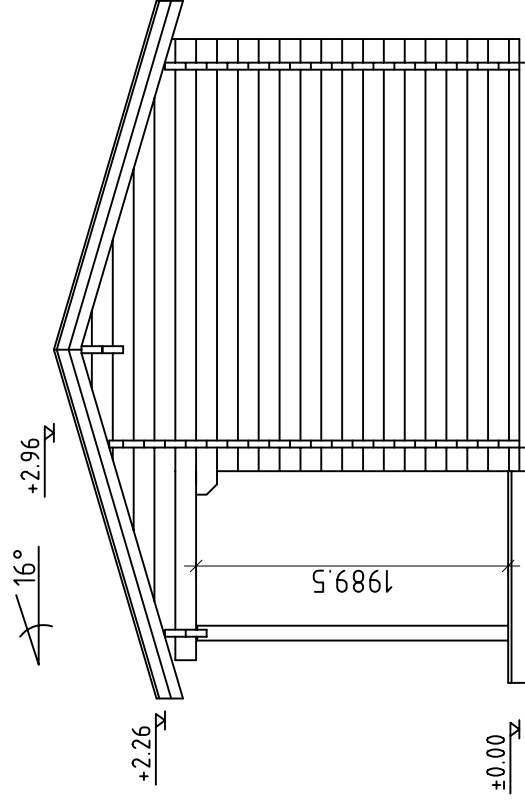
Section—A



Section—C



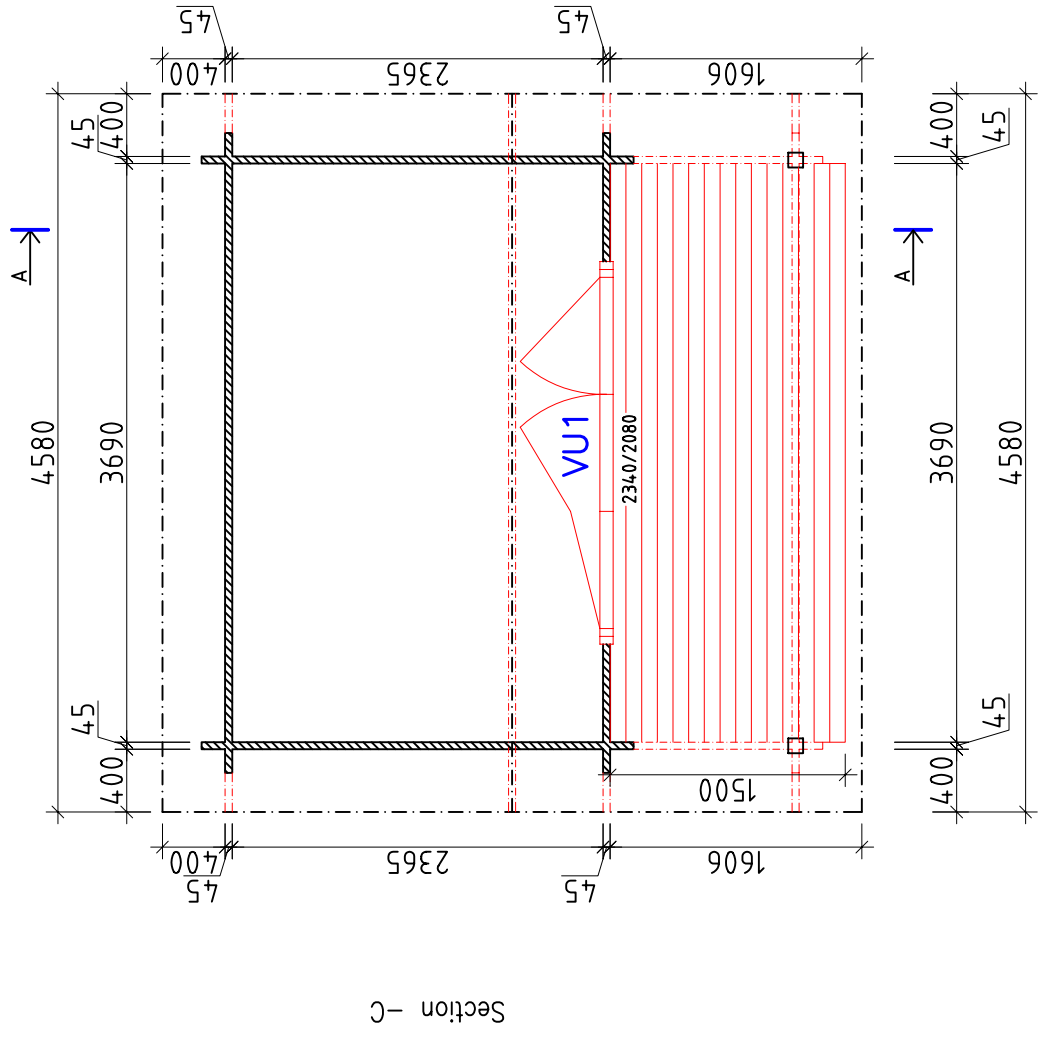
Section—B



Section—D

Page:4.1	SECTIONS
Measure: 1:50	
Drawn by: Tarmo Tigane	BALDREY PAVILLION

Section -B



Section -C

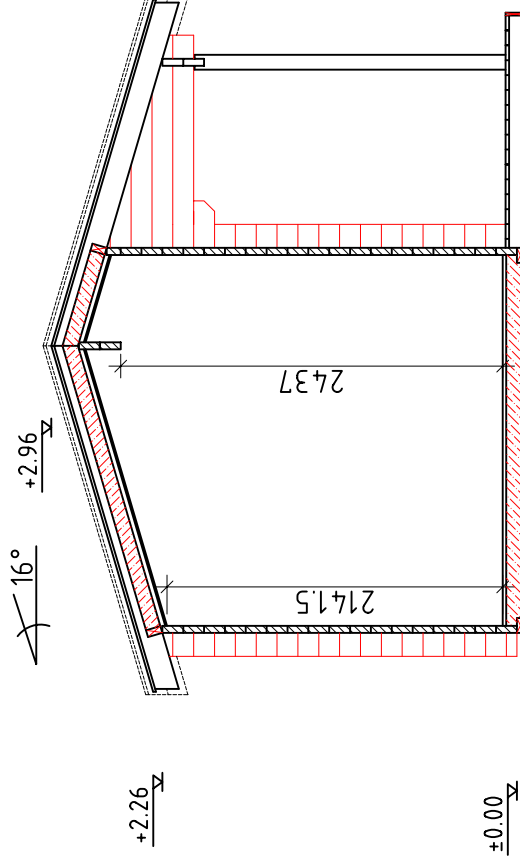
Section -D

Section -A

GROUND PLAN

Drawn by:
Tarmo Tigane

BALDREY PAVILLION



Cross-section A-A

CROSS-SECTION		Page: 4.4
Drawn by: Tarmo Tigane	BALDREY PAVILLION	Measure: 1:50

