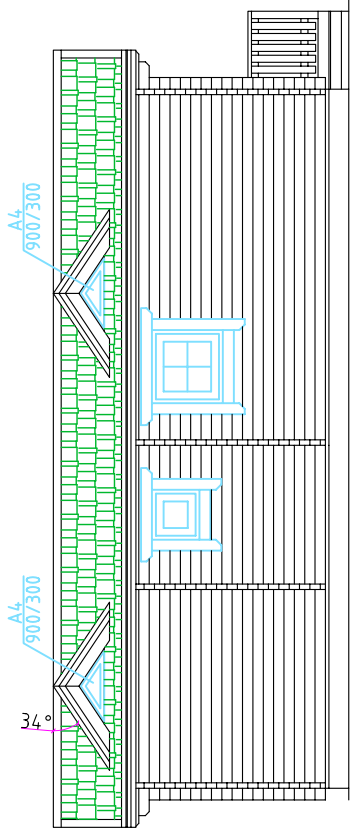


Square log 70x133mm



COOMBS

Section - B

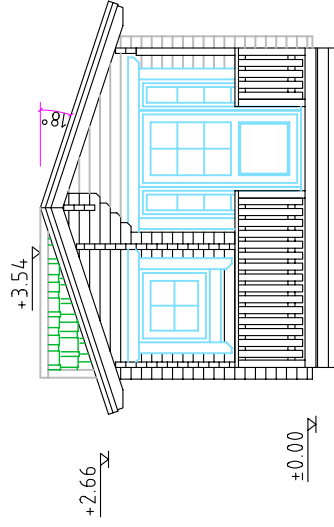
Drawn by:

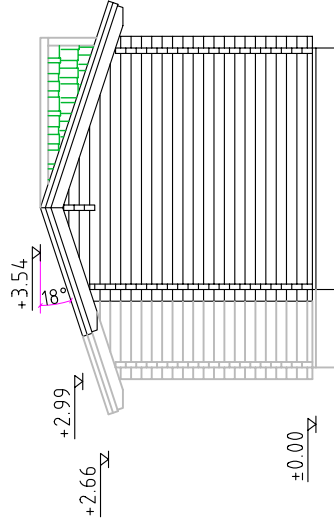
Alvar Rebane

RPM Ltd

Page: AE: 4.1.1

scale: 1:100





Square log 70x133mm

COOMBS

Section - D

Drawn by:

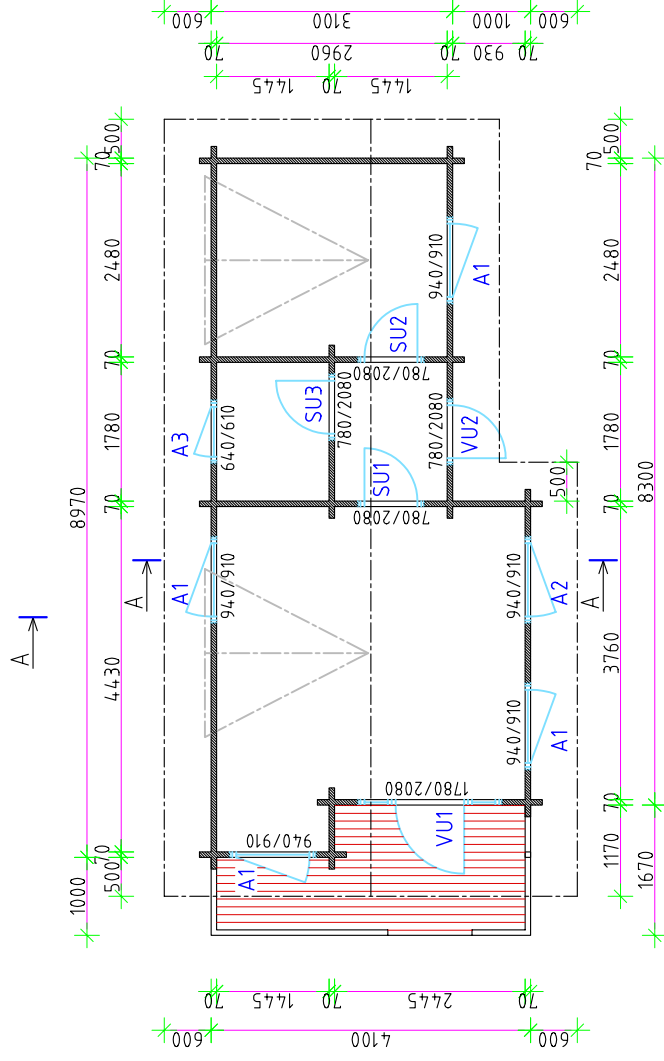
Alvar Rebane

RPM Ltd

Page: AE: 4.13

scale: 1:100

Section -B



Section -D

Section -C

Section -A

Square log 70x133mm

COOMBS

Ground floor

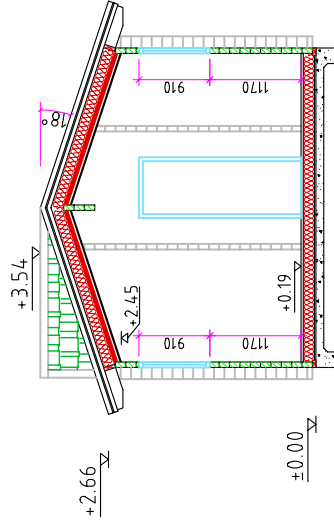
Drawn by:

Alvar Rebane

RPM Ltd

Page: AE: 4.2

scale: 1:100



A — A

Square log 70x133mm

COOMBS

Cross-section A-A

Drawn by:

Alvar Rebane

RPM Ltd

Page: AE: 4.4

scale: 1:100