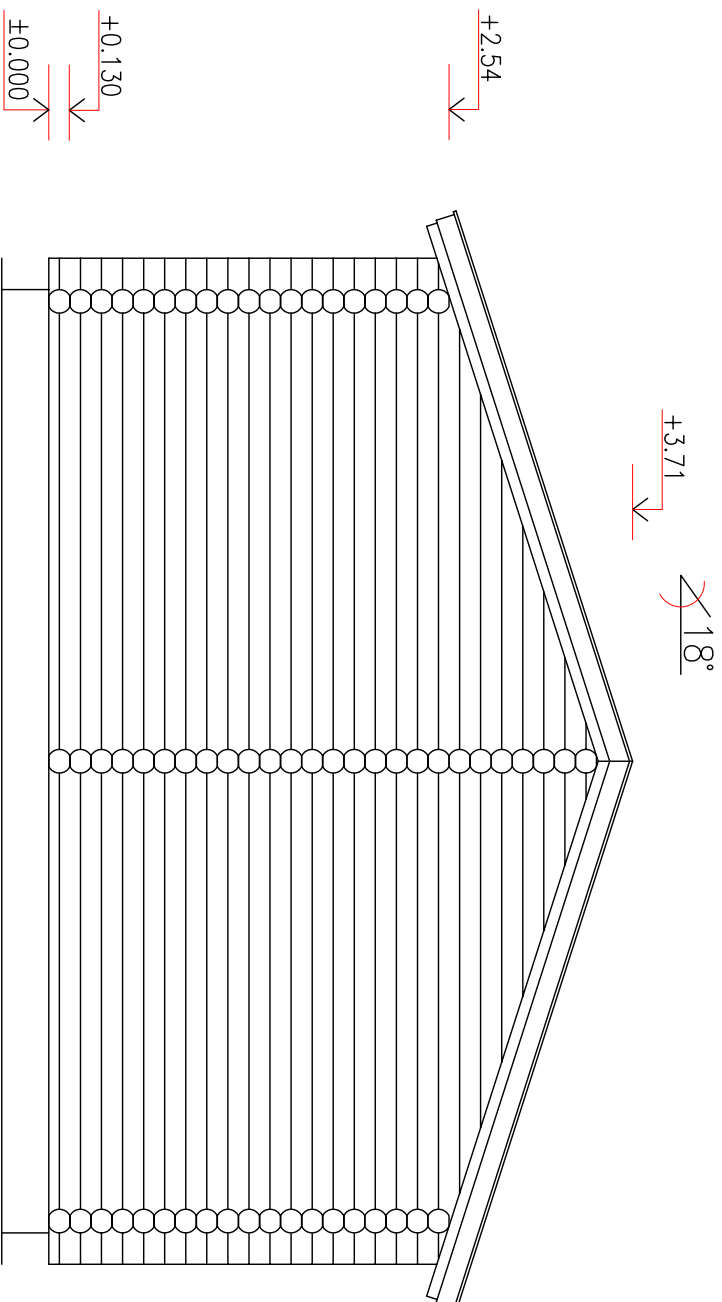


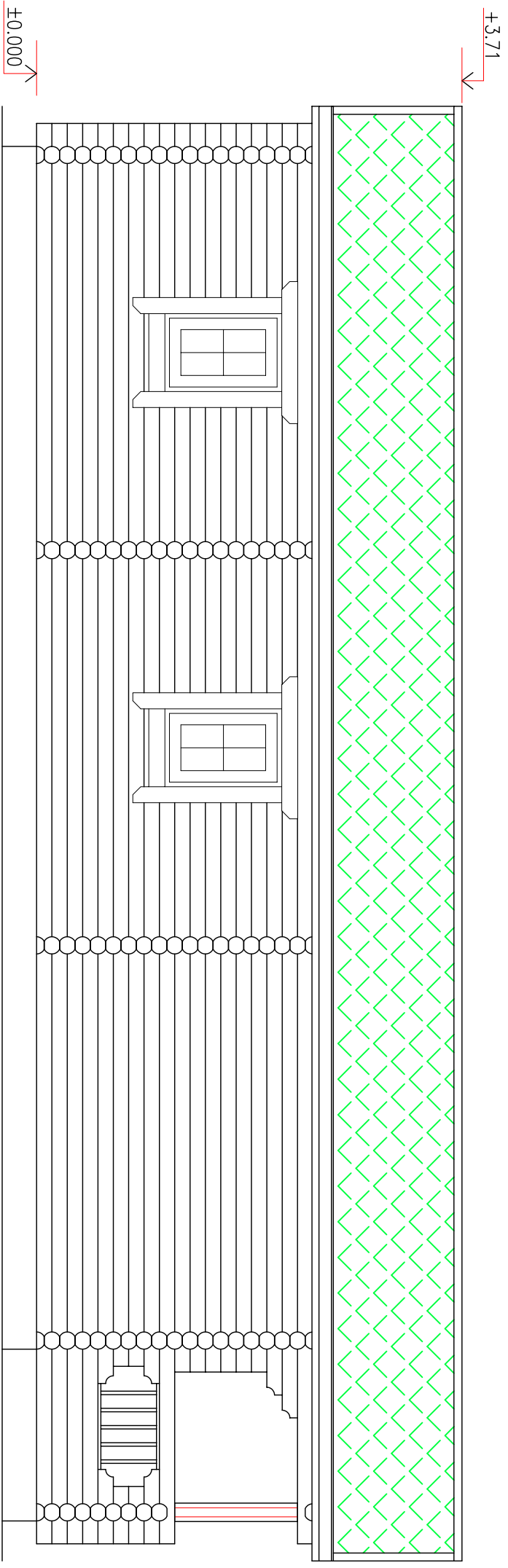
Section -A

Drawn by: Tarmo Tigane	SECTIONS	Page:4.1
	CORDOBA 150	Measure: 1:50



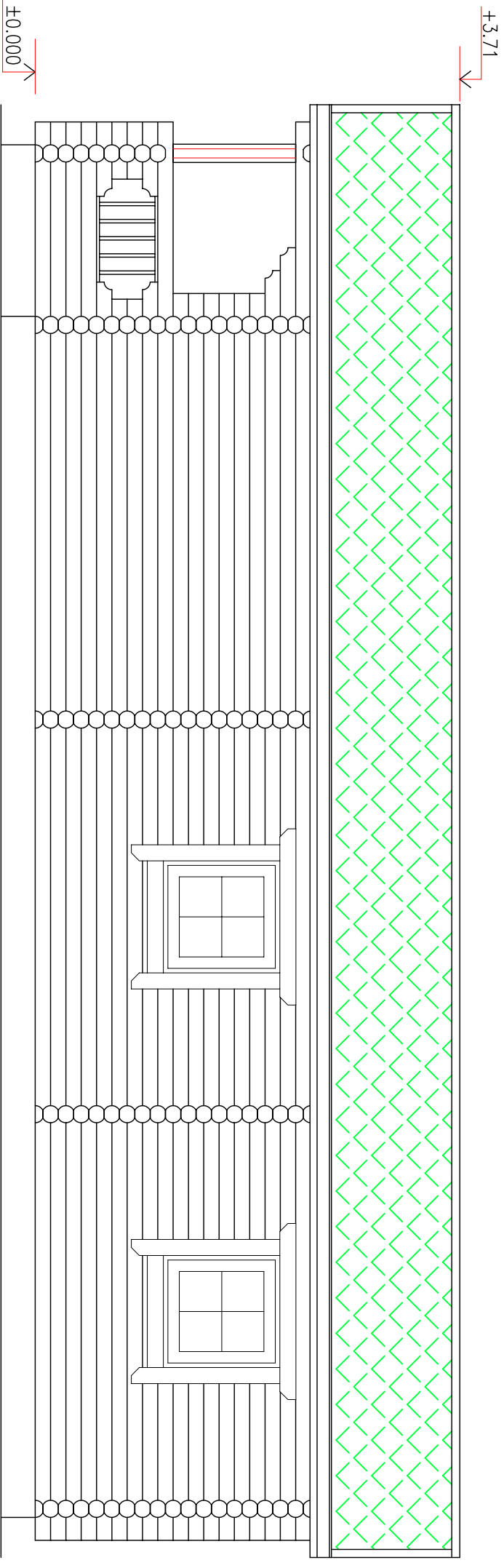
Section -B

Drawn by: Tarmo Tigane	SECTIONS	Page: 4.11
	CORDOBA 150	Measure: 1:50



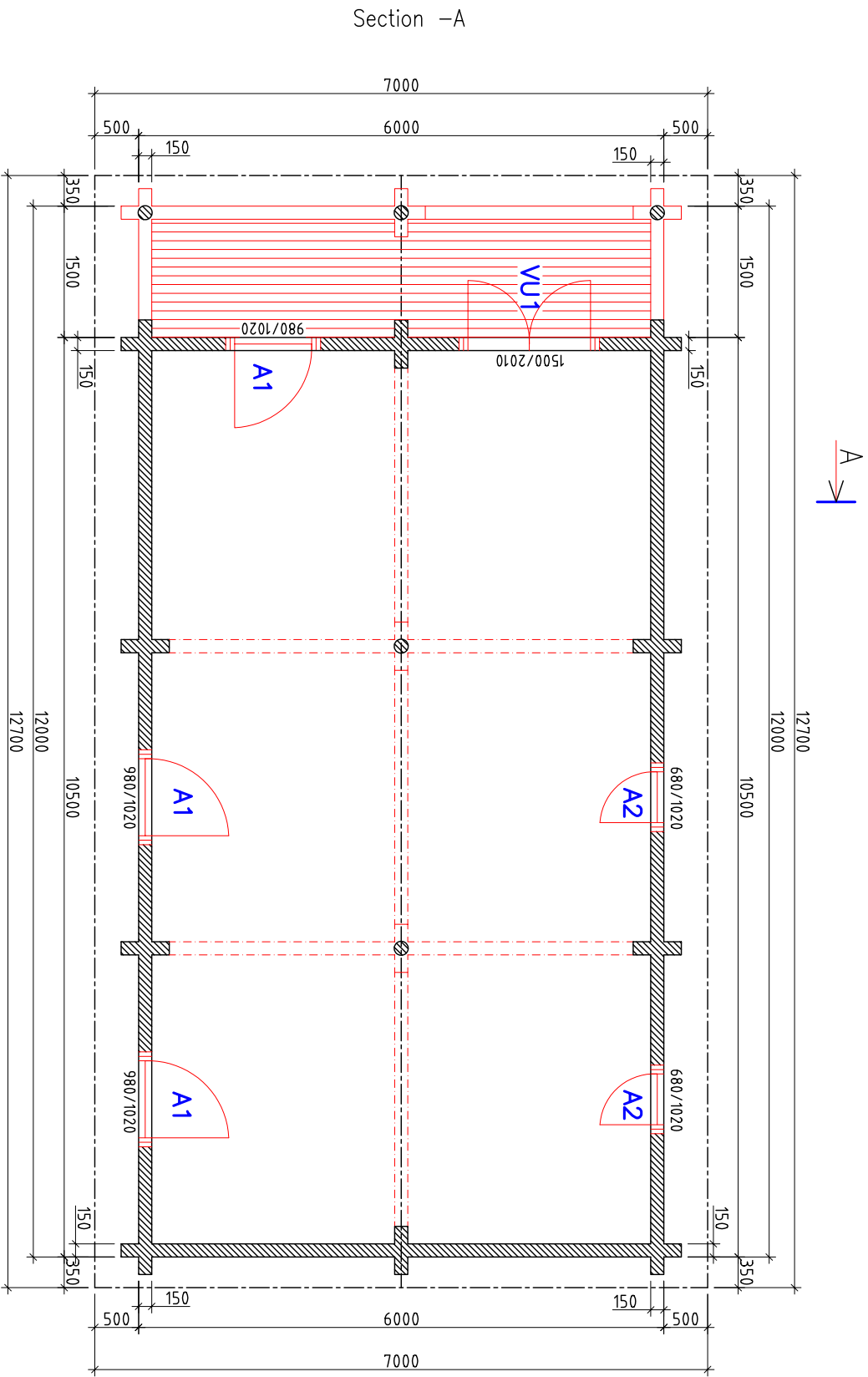
Section -C

Drawn by: Tarmo Tigane	SECTIONS	Page: 4.12
	CORDOBA 150	Measure: 1:50



Section -D

Drawn by: Tarmo Tigane	SECTIONS	Page: 4.13
	CORDOBA 150	Measure: 1:50



GROUND PLAN

Drawn by:

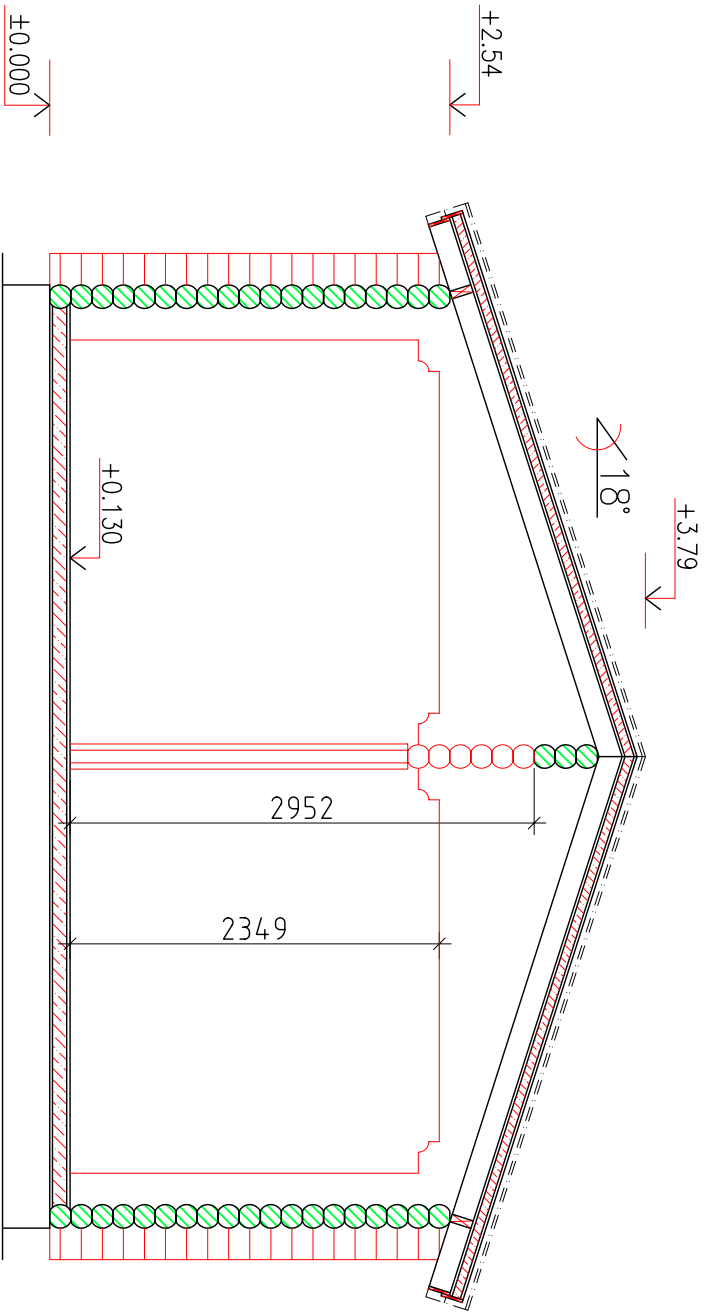
Tigane

CORDOBA 150

Page: 4.2

Measure:

1:75



Cross-section A-A

Drawn by: Tarmo Tigane	CROSS-SECTION	Page: 4.4
	CORRDOBA 150	Measure: 1:50