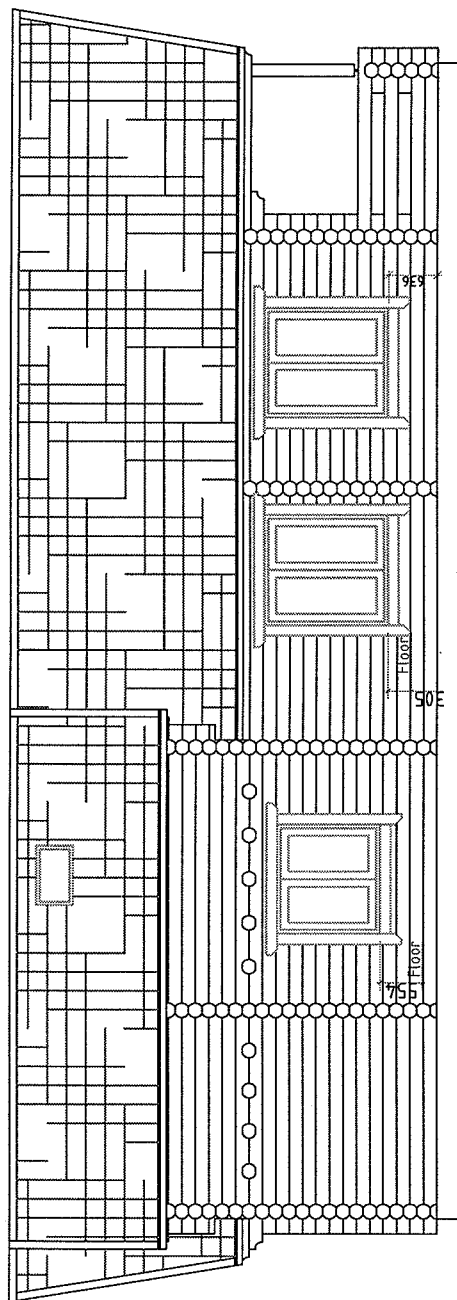


Section - A

Round log ?195mm

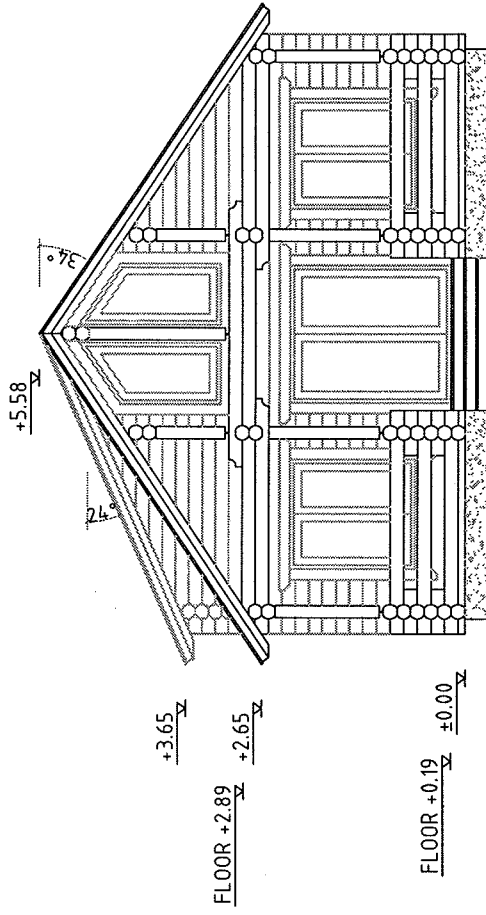
SECTION		AE:4.1
Drawn by:	A.Rebane	DARREN 02-03-2006/04:31:24p
		1:100



Section - B

Round log ?195mm

SECTION		AE:4.1.1
Drawn by:	A.Rebane	DARREN 02-03-2006/04:31:24p
		1:100



Section - C

Round log ?195mm

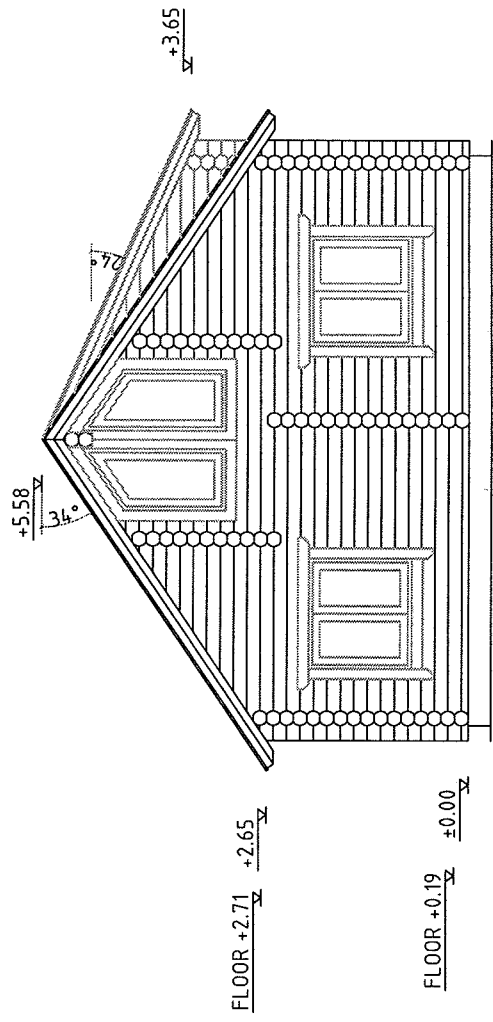
SECTION

AE:4.1.2

Drawn by:
A.Rebane

DARREN 02-03-2006/04:31:24p

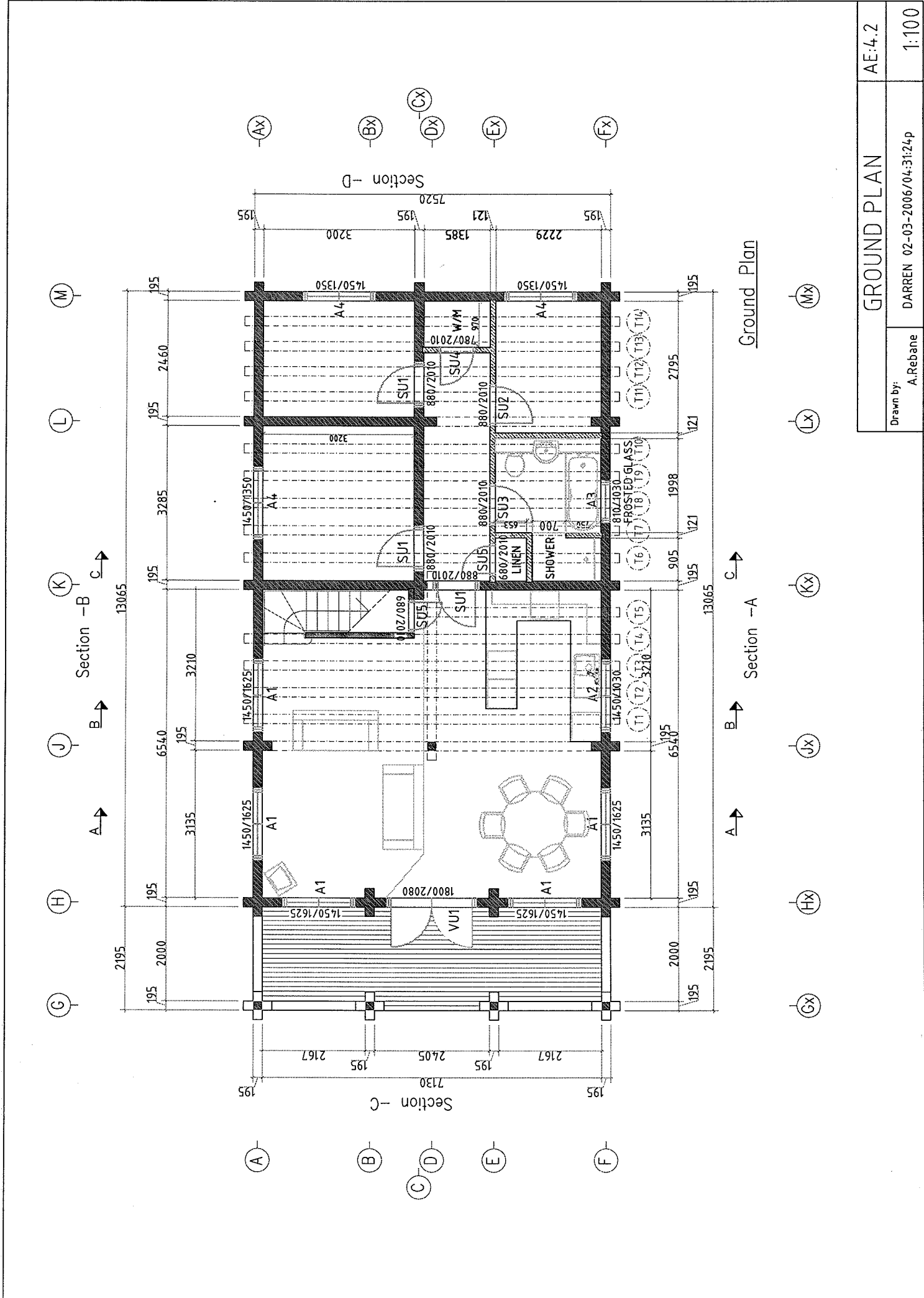
1:100



Section - D

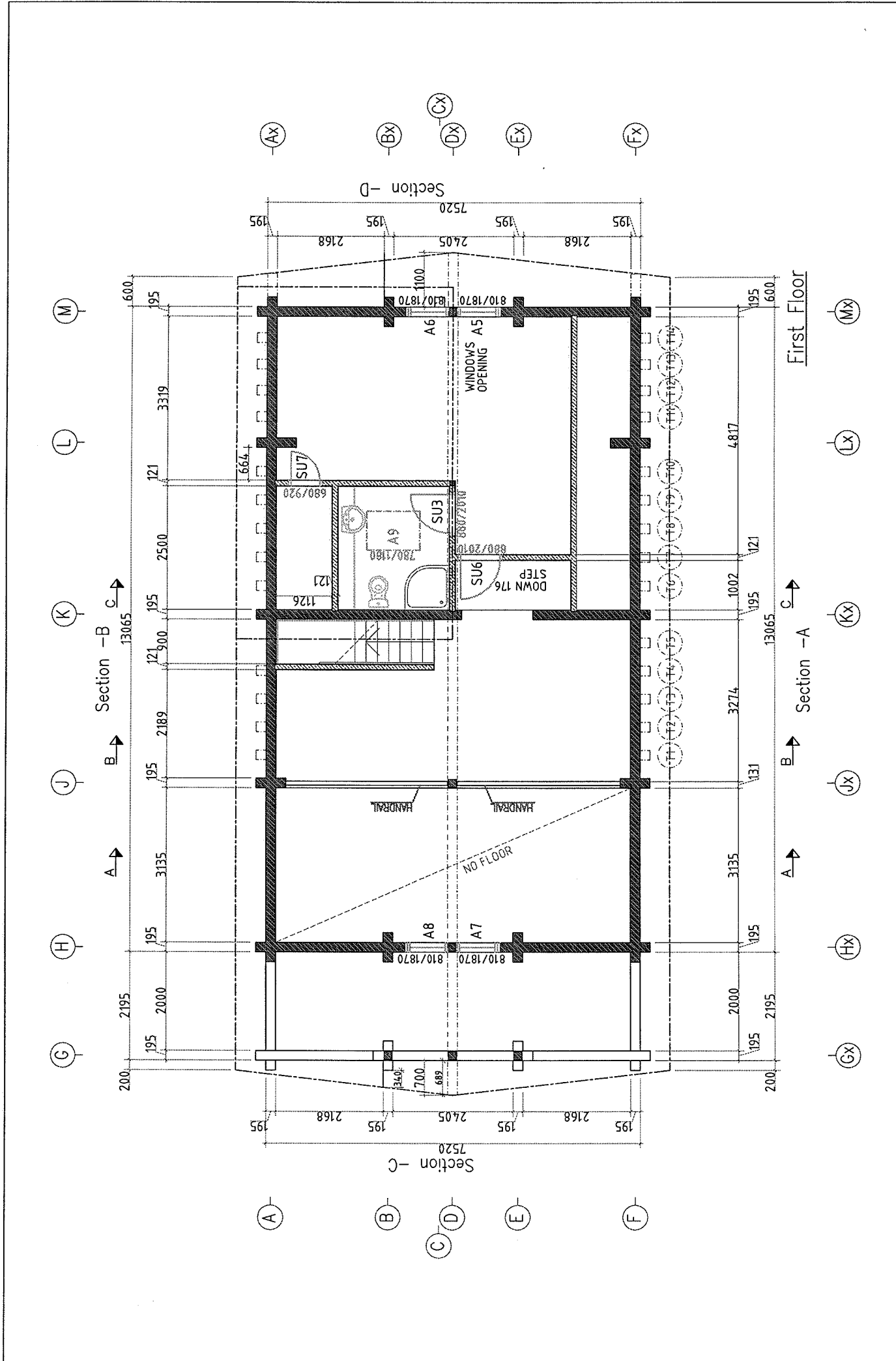
Round log ?195mm

SECTION		AE:4.1.3
Drawn by:	A.Rebane	DARREN 02-03-2006/04:31:24p
		1:100



Ground Plan

GROUND PLAN		AE:4.2
Drawn by:	A.Rebane	
	DARREN 02-03-2006/04:31:24p	1:100

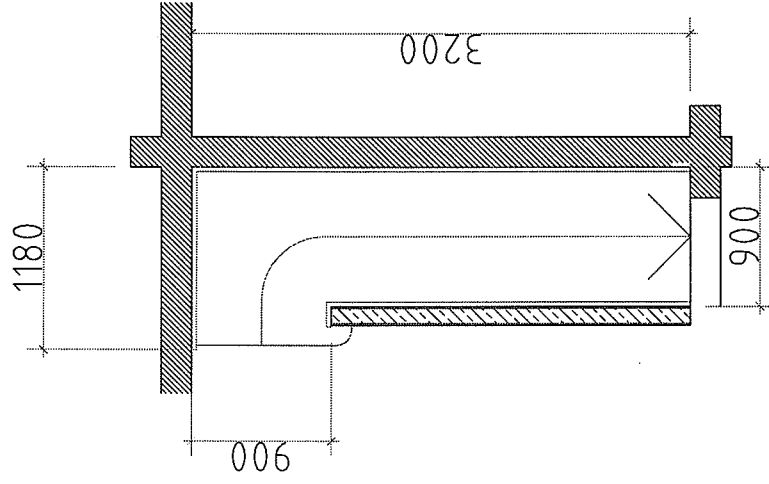


GROUND PLAN (+2.89)		AE:4.2.1
Drawn by:	A.Rebane	DARREN 02-03-2006/04:31:24P
		1:100

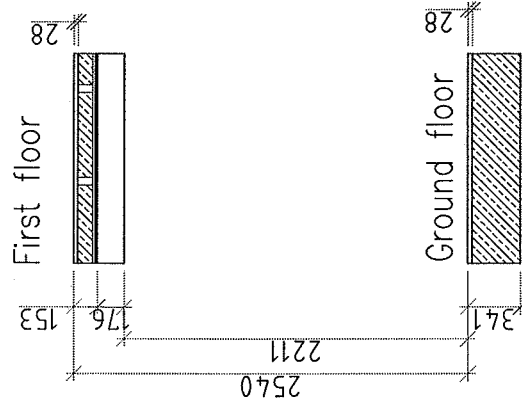
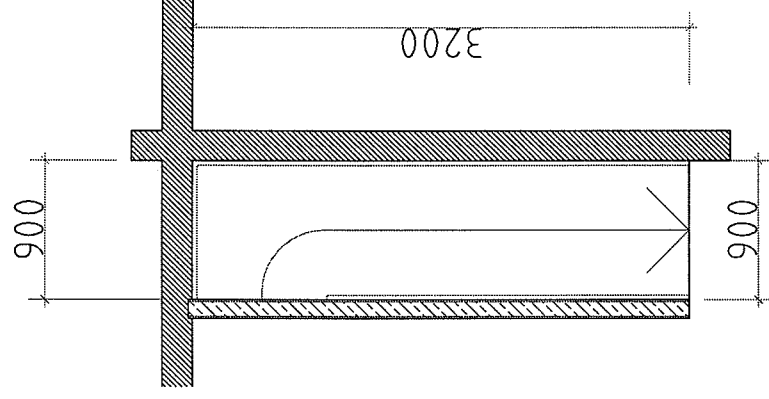
(G)	(H)	(J)	(K)	(L)	(M)
(A)	(B)	(C)	(D)	(E)	(F)
(GX)	(HX)	(JX)	(KX)	(LX)	(MX)

House "DARREN"

Top view gfl.



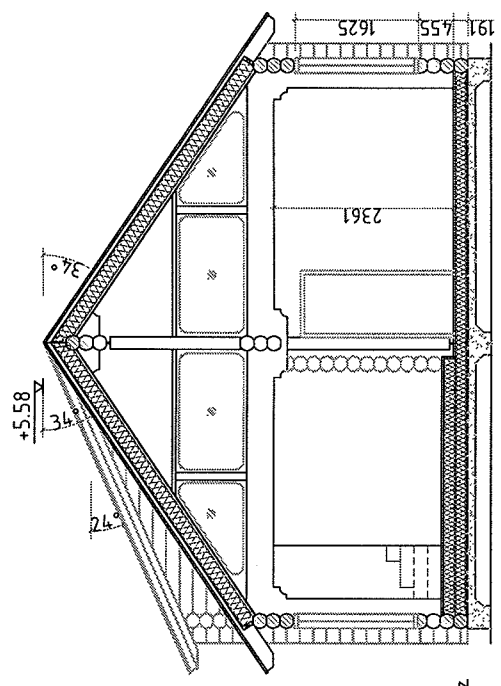
Top view 1fl.



With riser behind the steps.

* To height (2540) the settling reserv 50...70 mm must be added.

h=1395mm
h=1695mm
h=1995mm



+3.65

FLOOR +2.89

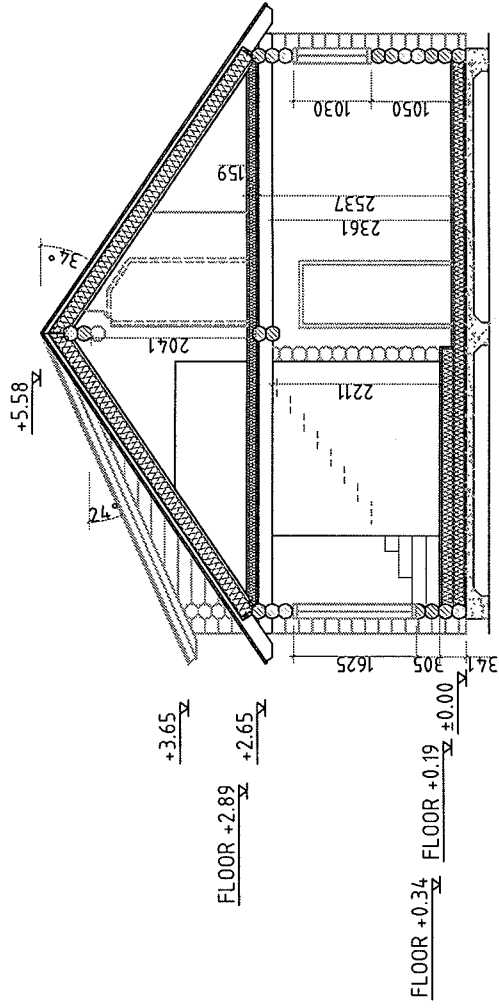
+2.65

FLOOR +0.34
FLOOR +0.19
±0.00

Cross-section A-A

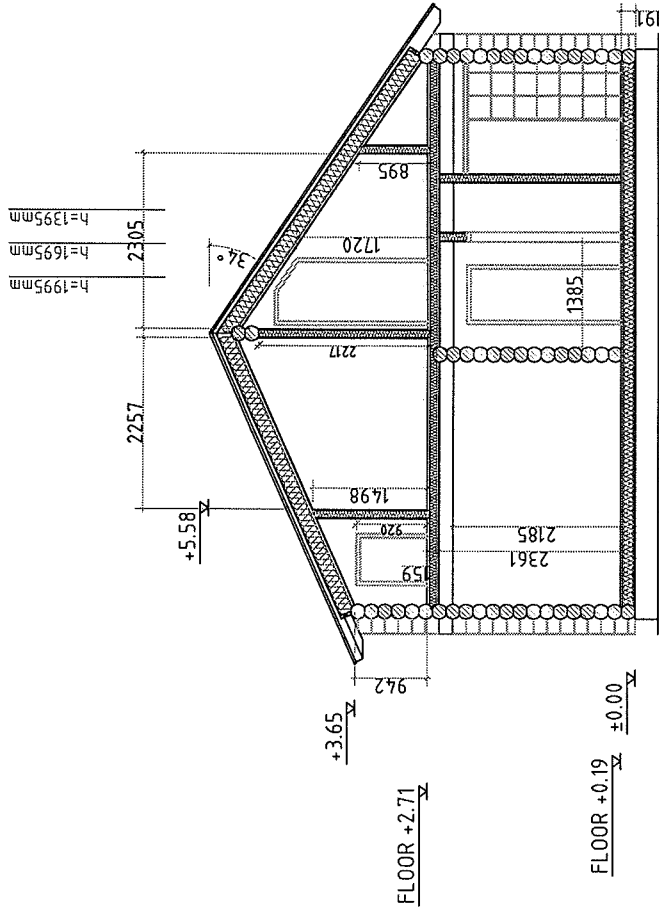
CROSS-SECTION		AE:4.4
Drawn by:	DARREN	Measure: 1:100
	02-03-2006/04:31:24p	
	A.Rebane	

h=1395mm
h=1695mm
h=1995mm



Cross-section B-B

CROSS-SECTION		AE:4.4.1
Drawn by:	A. Rebane	Measure: 1:100
DARREN 02-03-2006/04:31:24p		



Cross-section C-C

CROSS-SECTION		AE:4.4.1
Drawn by:	DARREN 02-03-2006/04:31:24p	Measure:
A.Rebane		1:100