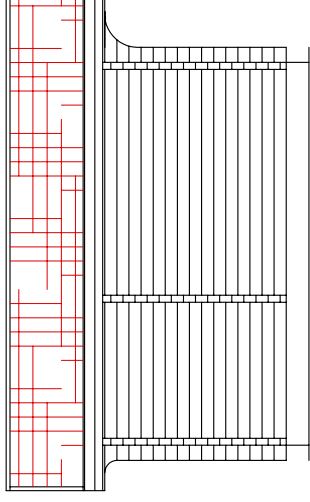
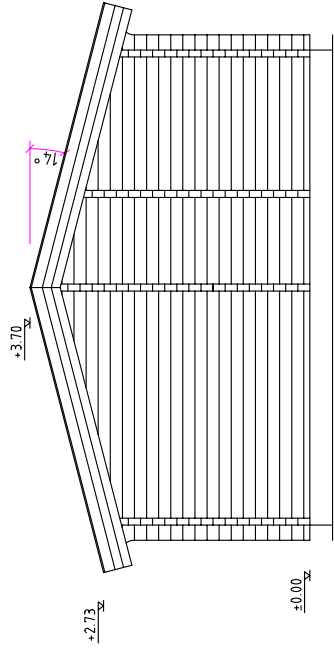


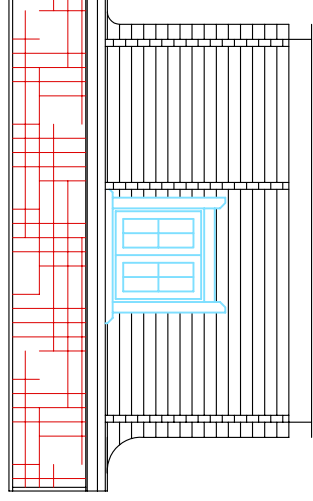
Elevation – A



Elevation – C



Elevation – B



Elevation – D



Square log 92x160mm

HILL

Elevations

Drawn by:  
Alvar Rebane

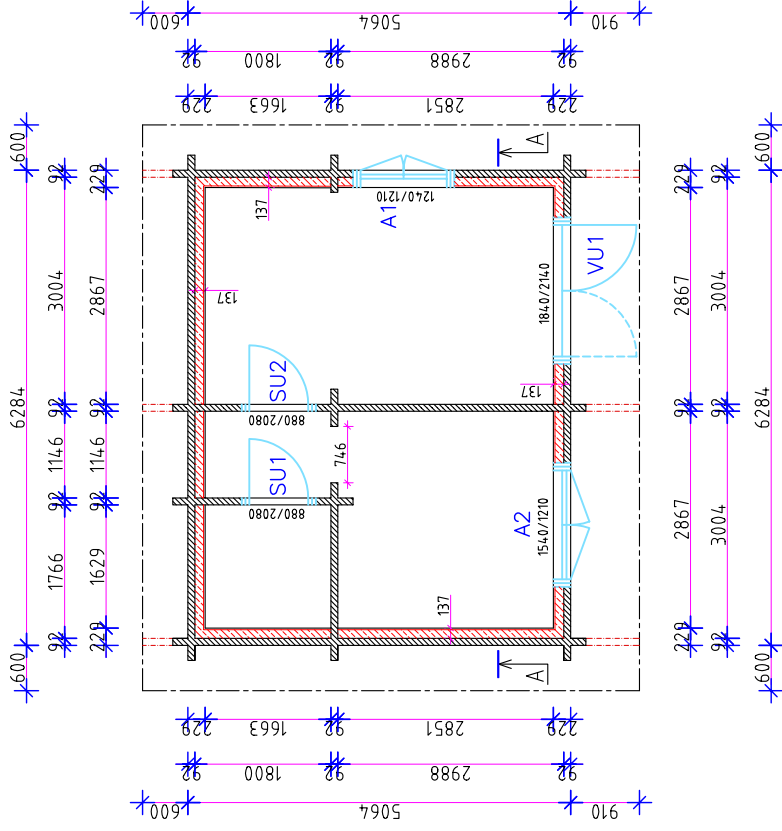
Page:

AE: 4.1

RPM Ltd

scale:  
1:100

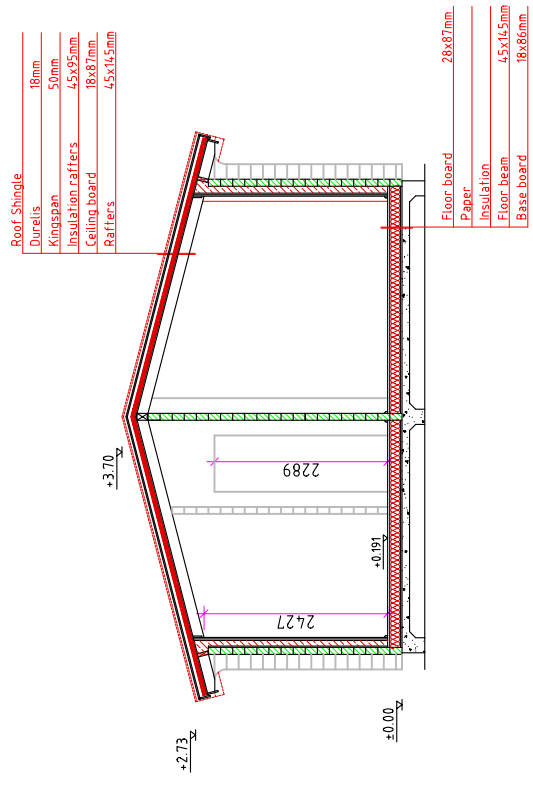
Elevation - B



Elevation - C

Elevation - D

Elevation - A



A - A

Square log 92x160mm

LINKS

Cross-section A-A

Drawn by: Alvar Rebane

RPM Ltd

Page: AE: 4.4

scale: 1:100