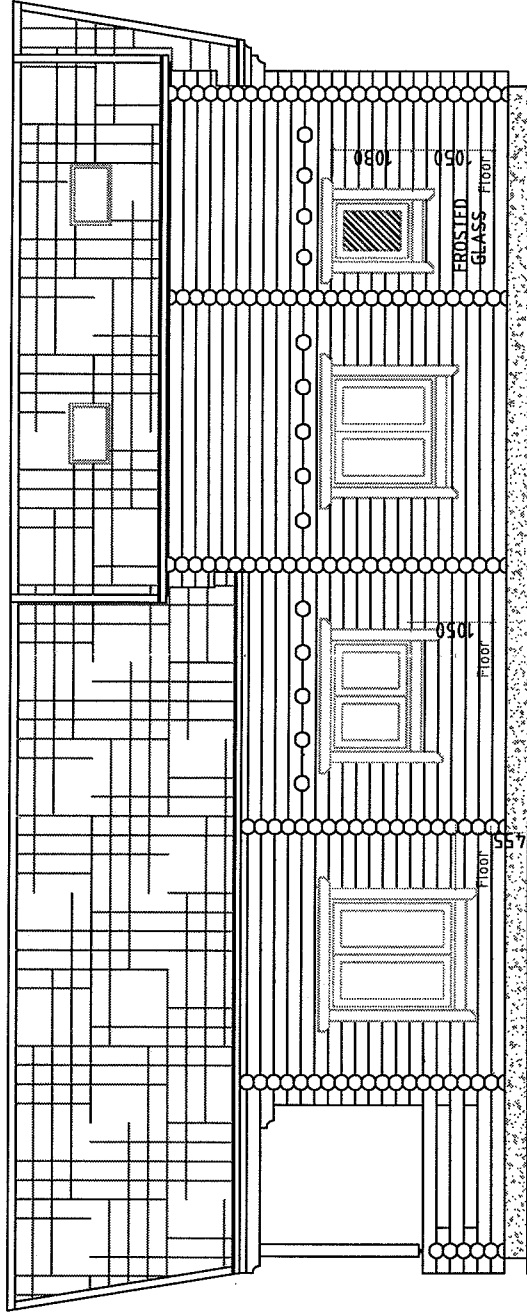


Section - A

Round log ?195mm

SECTION	AE:4.1
Drawn by: A.Rebane	HILLSIDE TYPE-B (p6) 08-03-2006/05:11p 1:100



Section - B

Round log ?195mm

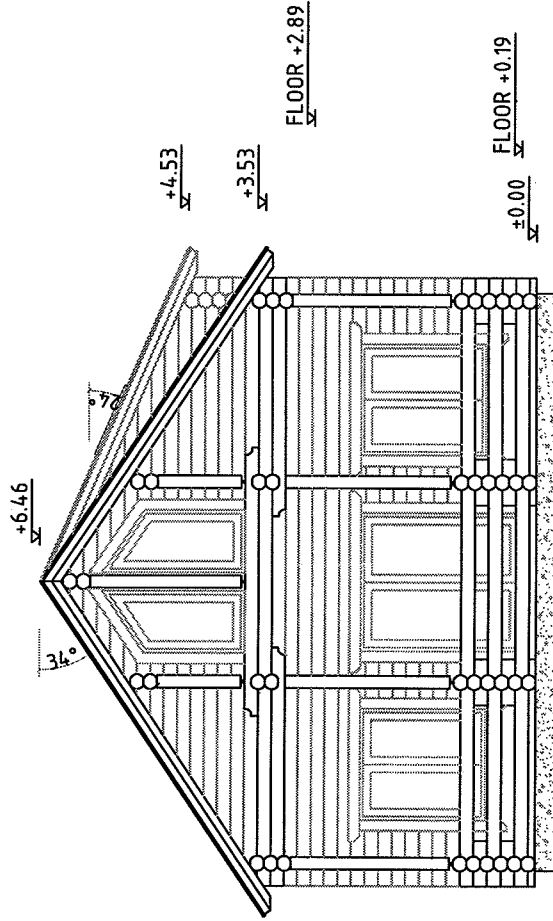
AE:4.1.1

SECTION

Drawn by:
A.Rebane

HILLSIDE TYPE-B (p6) 08-03-2006/05:11p

1:100



Section - C

Round log ?195mm

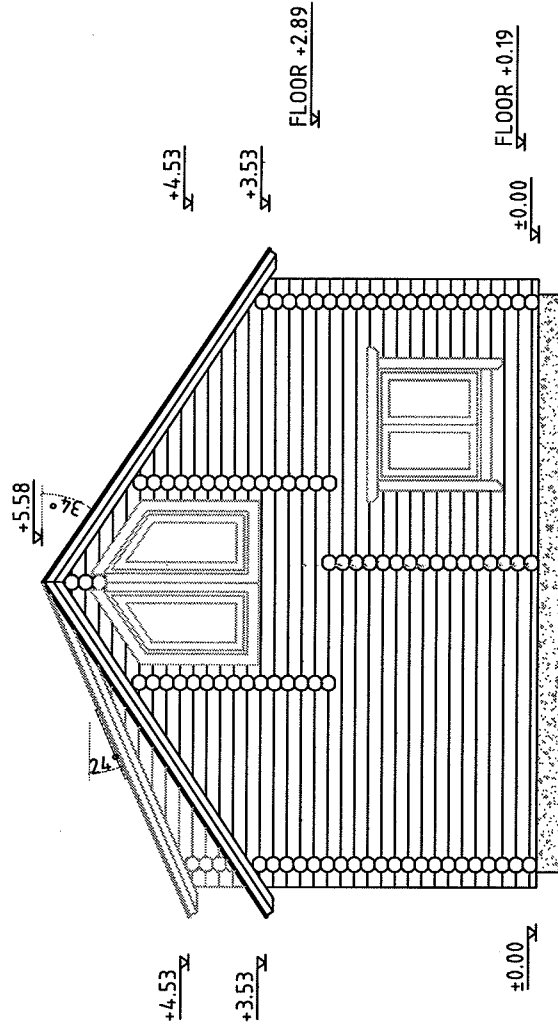
SECTION

AE:4.1.2

Drawn by:
A.Rebane

HILLSIDE TYPE-B (p6) 08-03-2006/05:1p

1:100



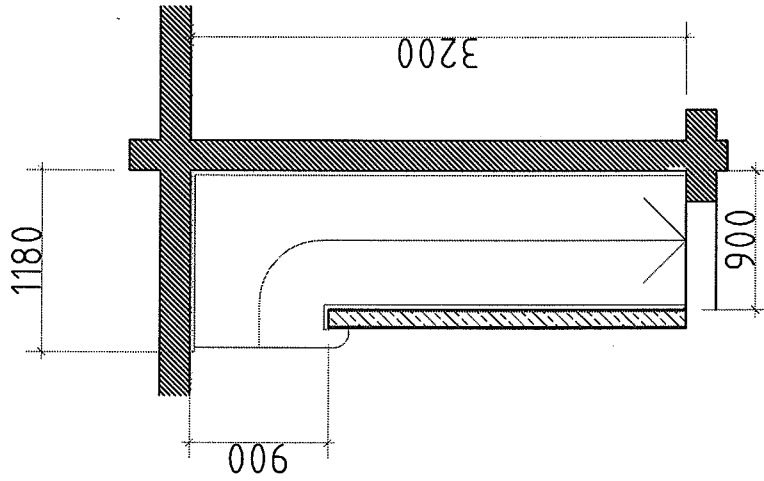
Section - D

Round log ?195mm

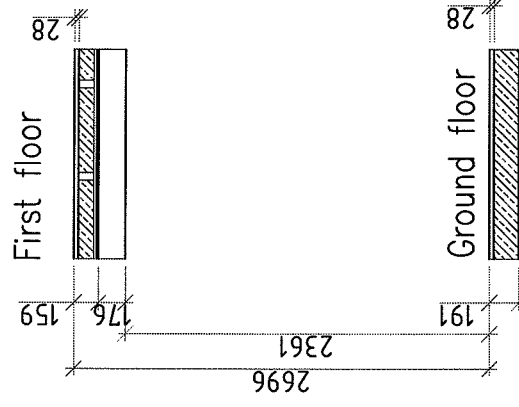
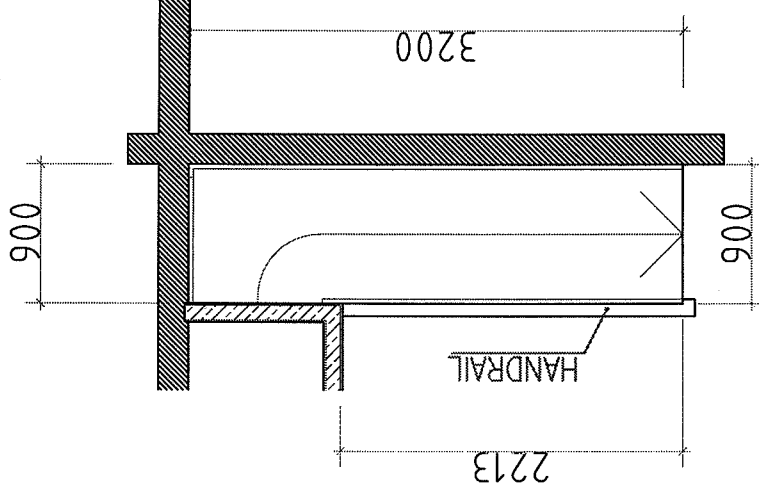
SECTION		AE:4.1.3
Drawn by:	A. Rabane	HILLSIDE TYPE-B (pg) 08-03-2006/05:1p
		1:100

House "HILLSIDE TYPE-B (plot 6)"

Top view gfl.

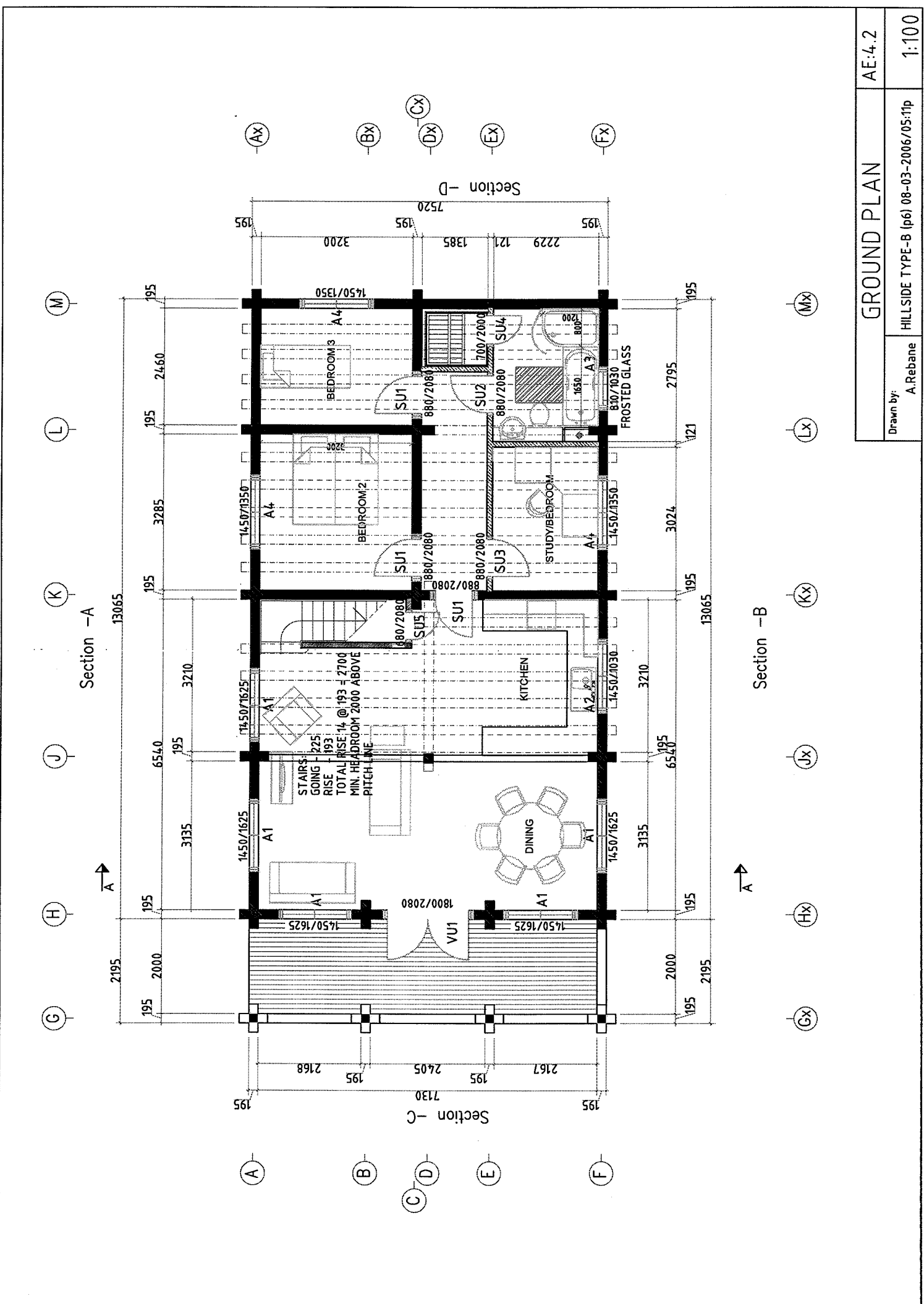


Top view 1fl.

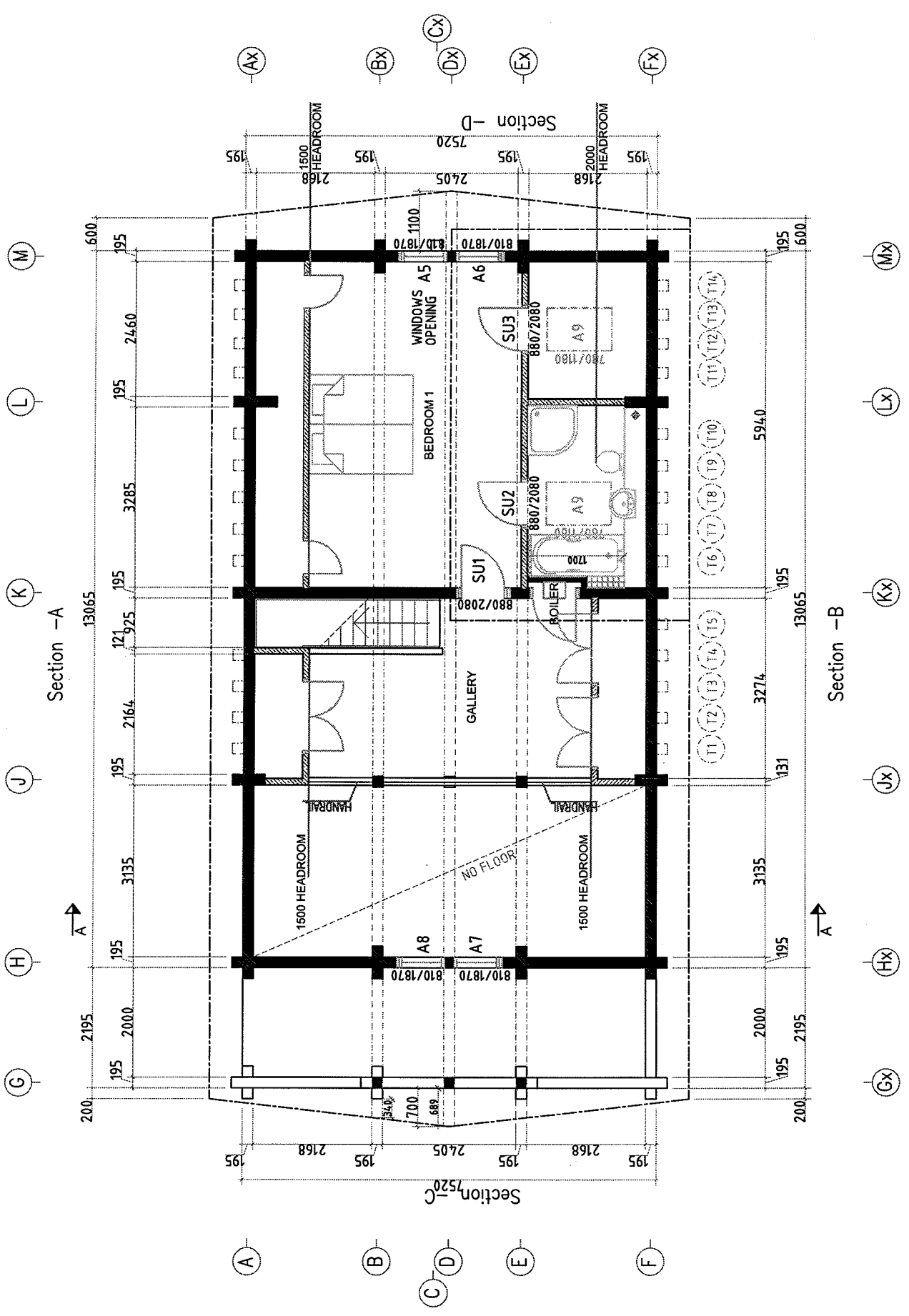


With riser behind the steps.

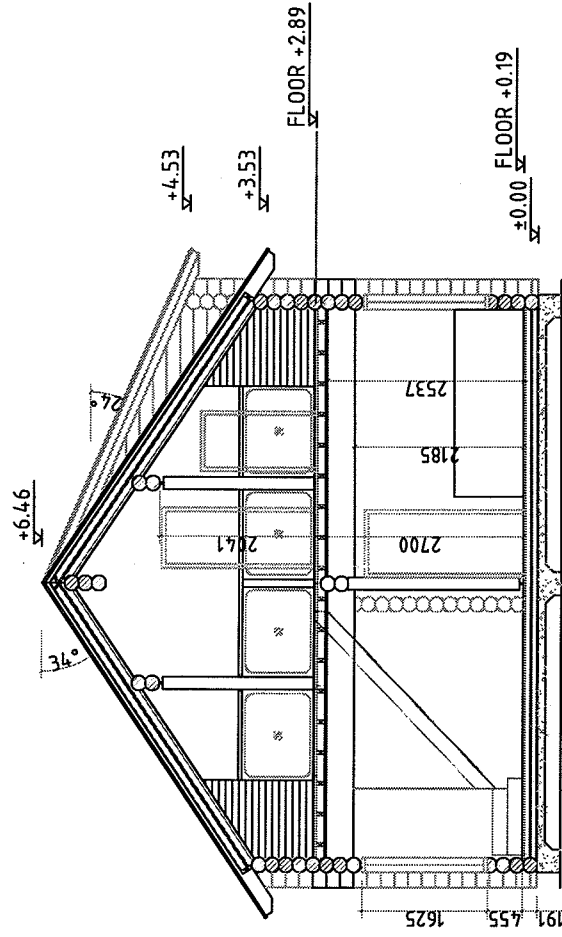
⊛ To height (2696) the settling reserv 70...90 mm must be added.



GROUND PLAN		AE:4.2
Drawn by:	A.Rebane	HILLSIDE TYPE-B (p6) 08-03-2006/05:11p
		1:100



GROUND PLAN (+2.89)		AE:4.2.1
Drawn by:	A.Rebane	HILLSIDE TYPE-B (p6) 08-03-2006/05:11p
		1:100



Cross-section A-A

CROSS-SECTION		AE:4.4
Drawn by:	A. Rebana	Measure:
HILLSIDE TYPE-B (p6) 08-03-2006/05:11p		1:100