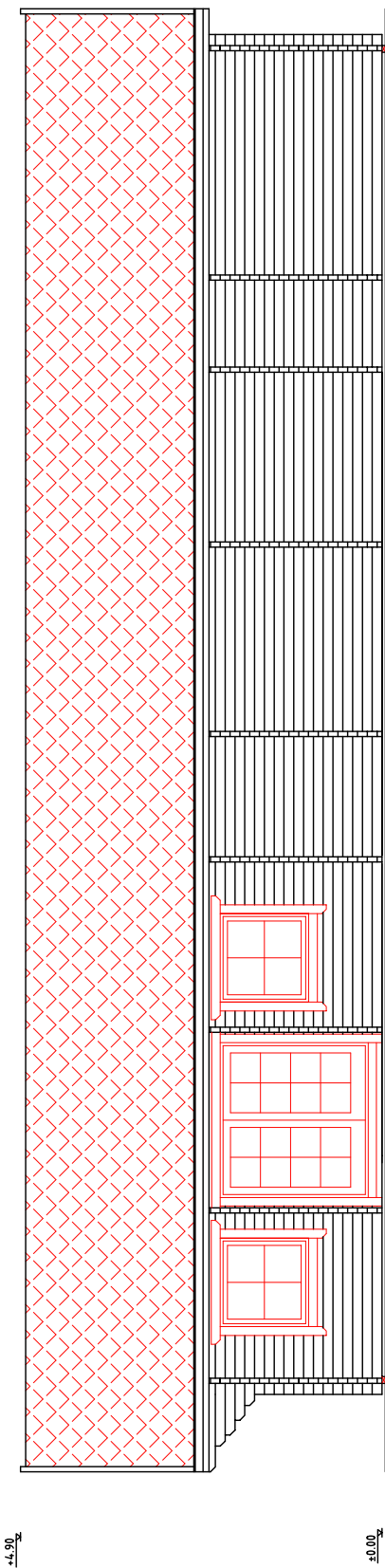


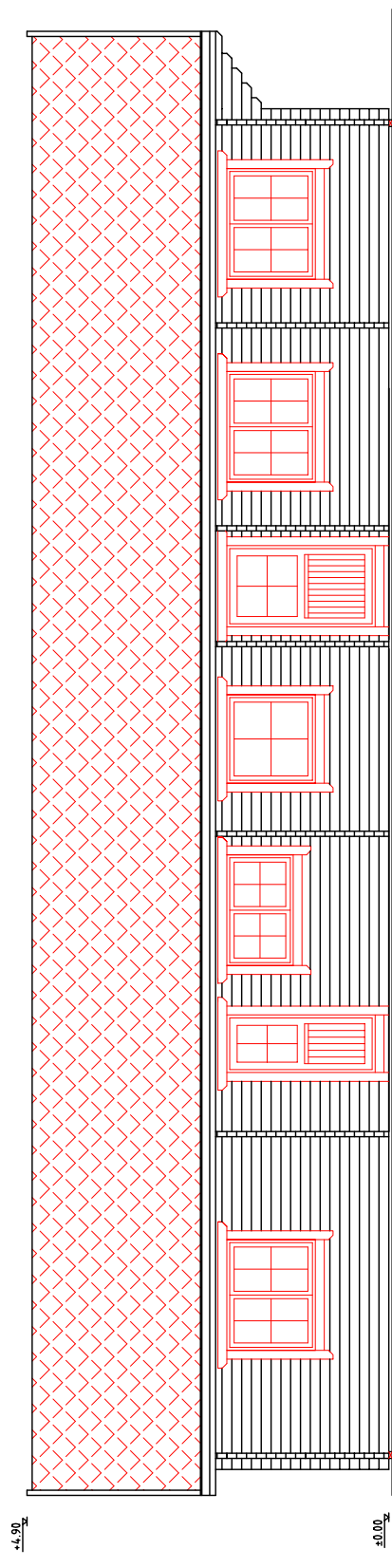
Architectural- constructional part (AE)

The technical drawings are based on customer's wishes and on technical possibilities of the producer!



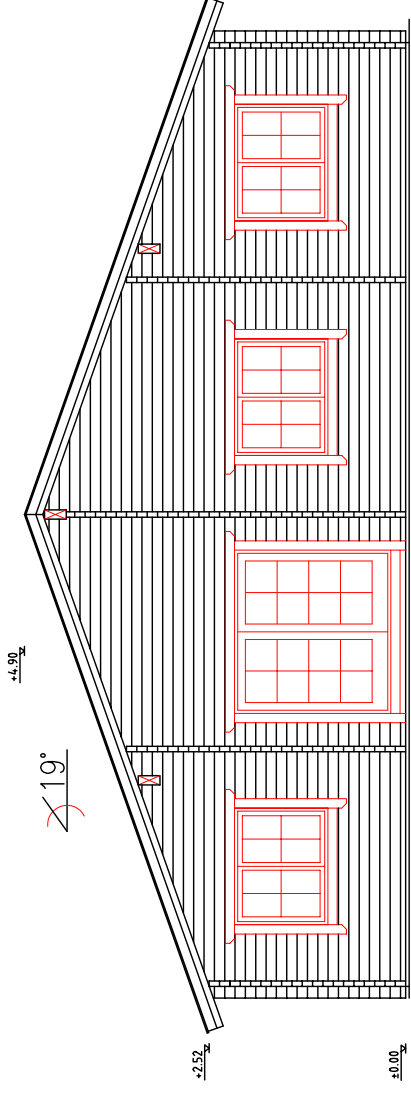


Section -A

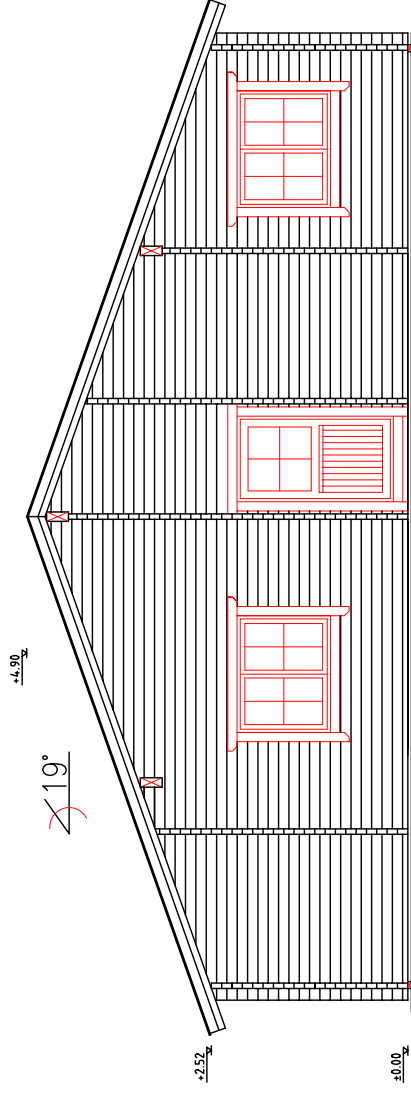


Section -B

SECTION		Page:4.1
Drawn by: Tarmo Tigane	Hope Nature Centre	Measure: 1:75



Section -C

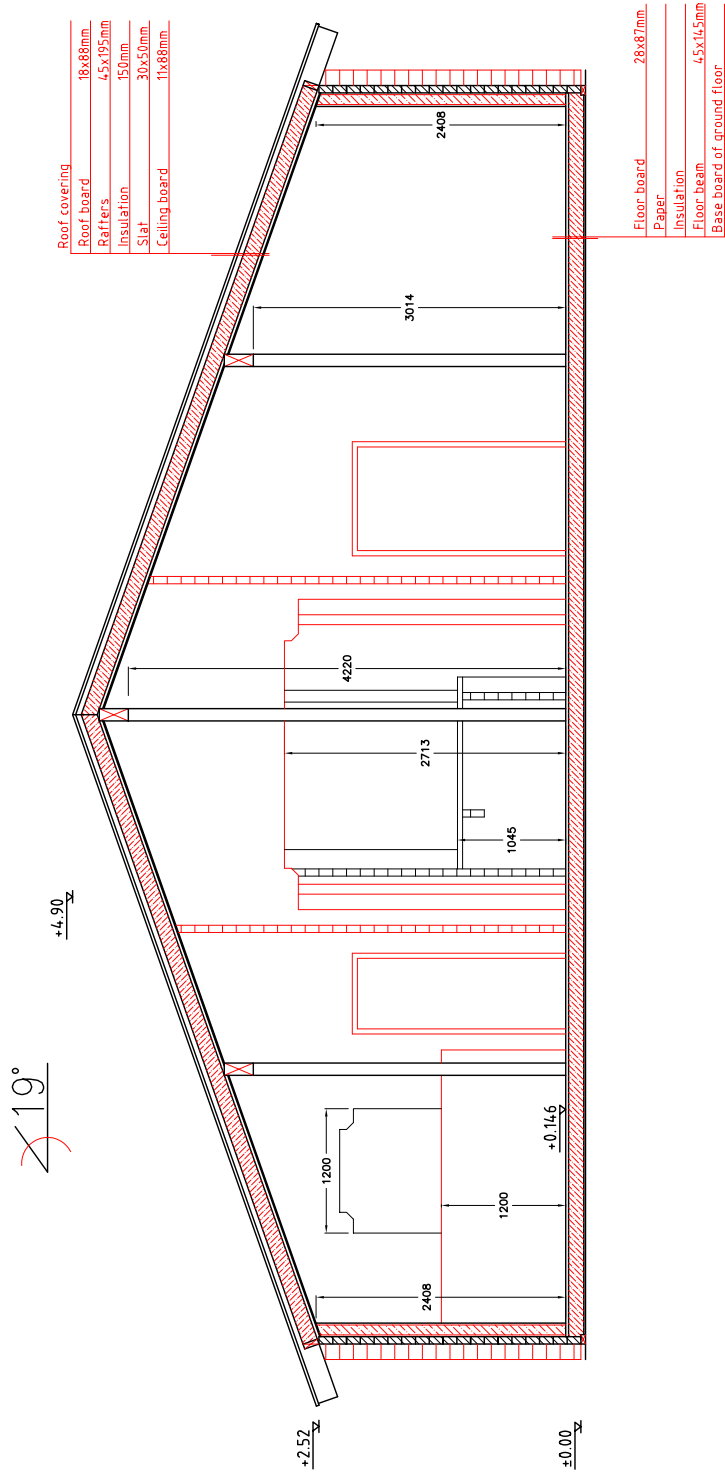


Section -D

SECTIONS

Drawn by:
Tarmo Tigane

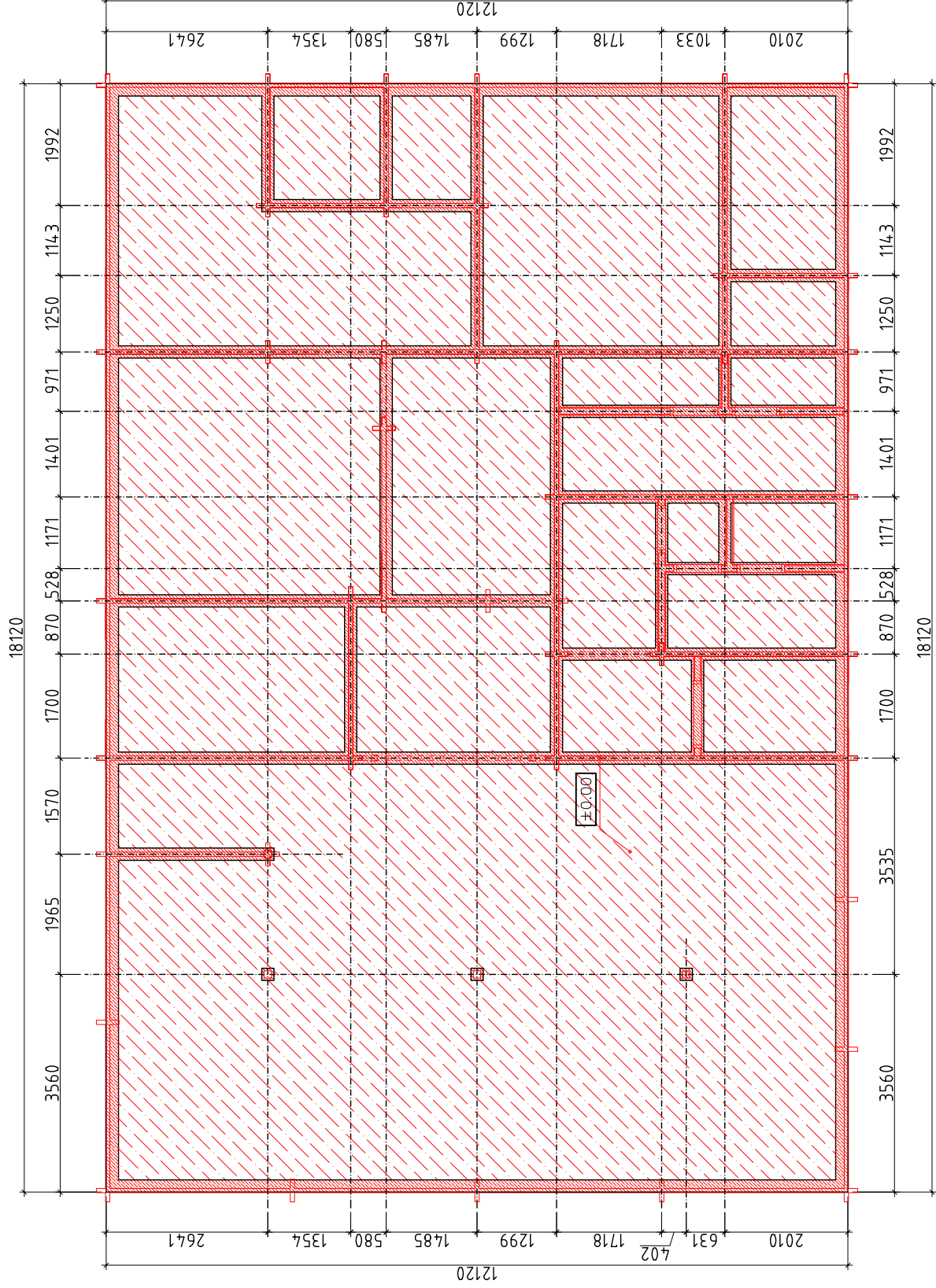
Hope Nature Centre



Cross-section A-A

Drawn by: Tarmo Tigane	CROSS-SECTION	Page: 4.4
Hope Nature Centre	Measure: 1:75	

Section -B

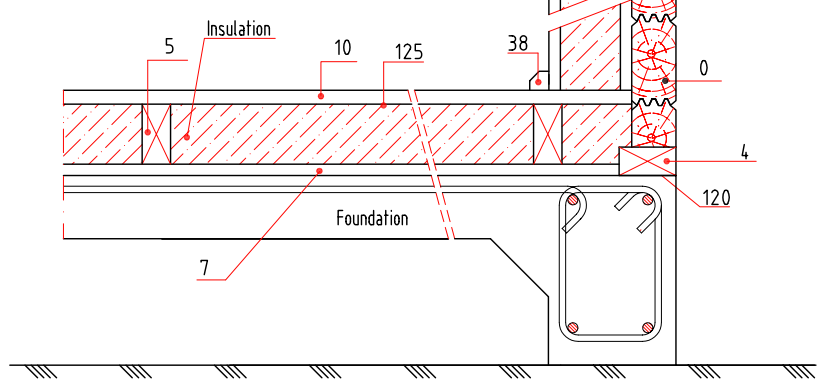
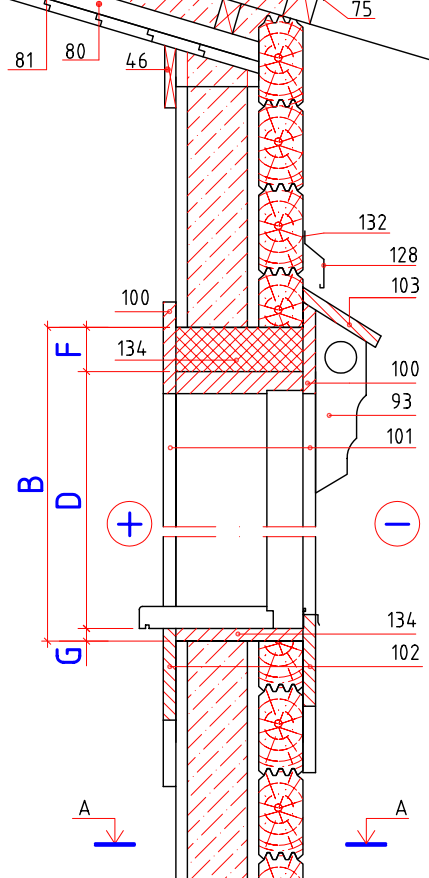
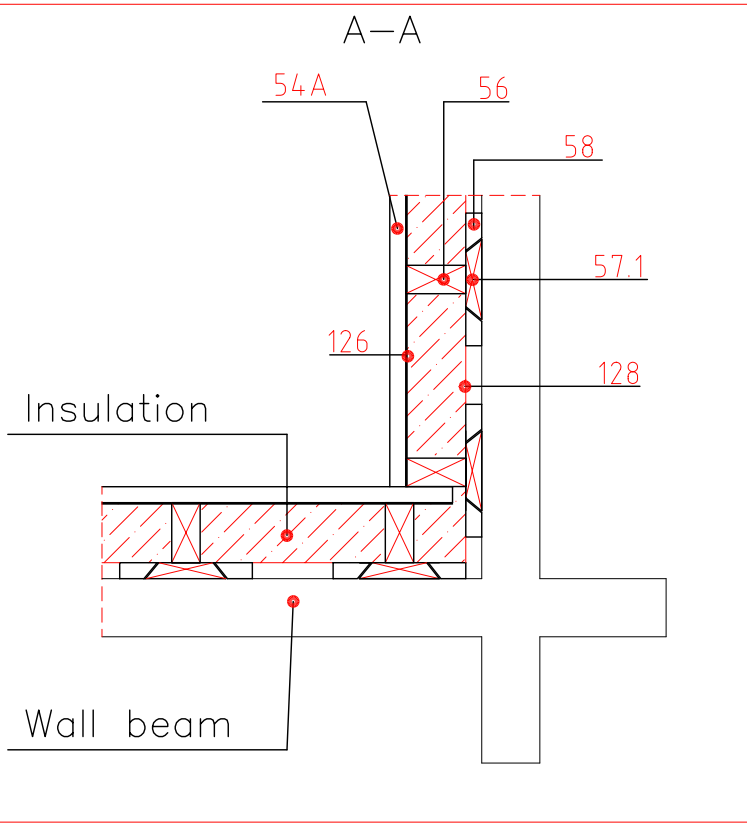
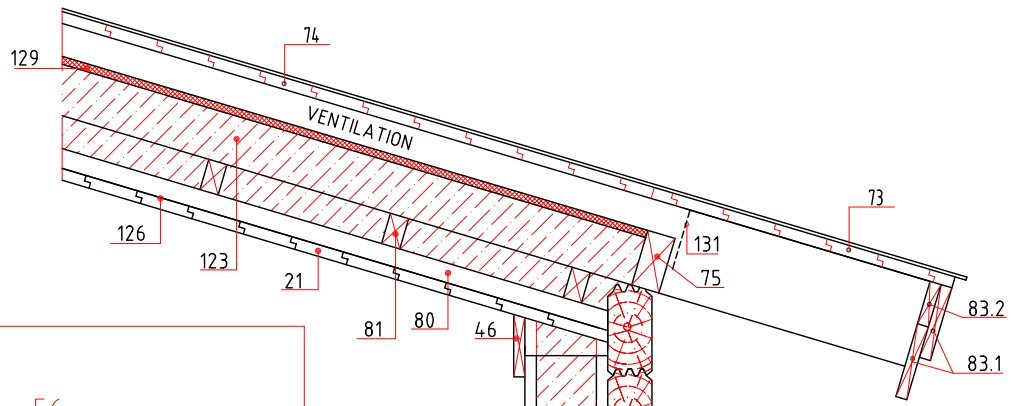
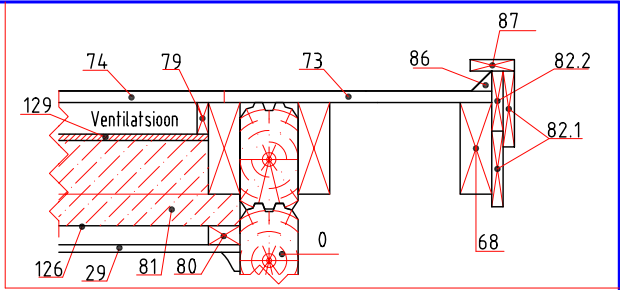


Section -C

Section -D

Section -A

FOUNDATION



General information