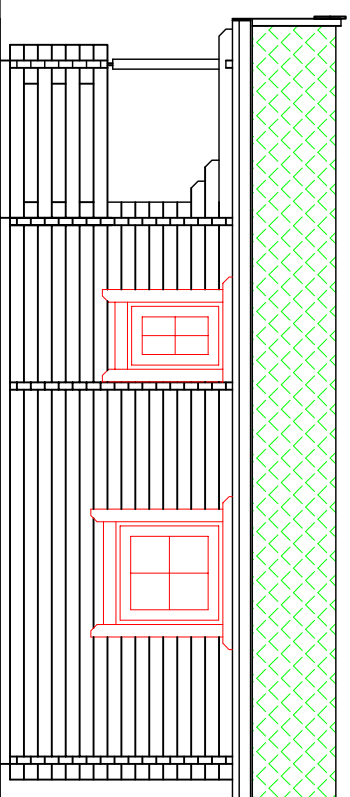
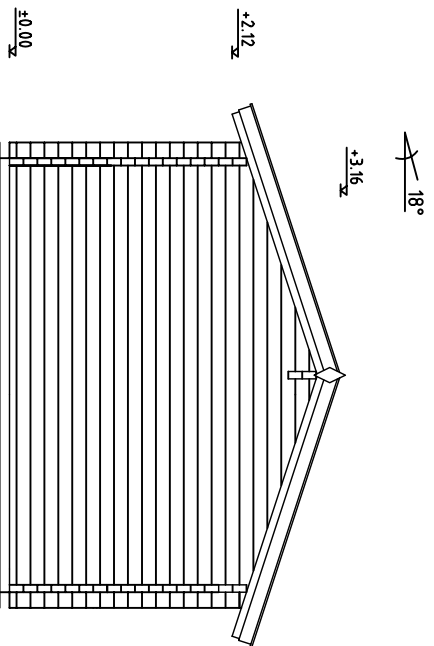


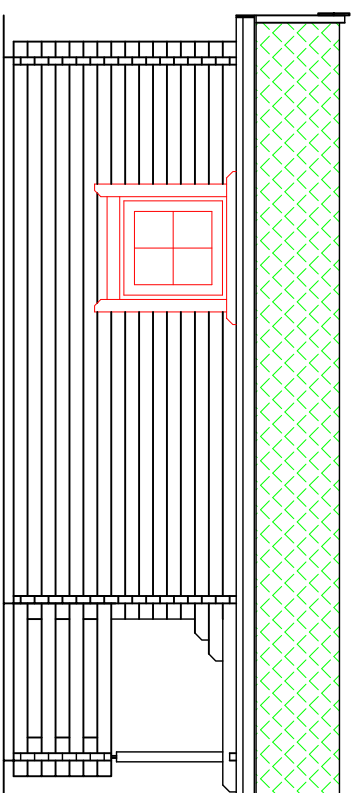
Section -A



Section -C



Section -B



Section -D

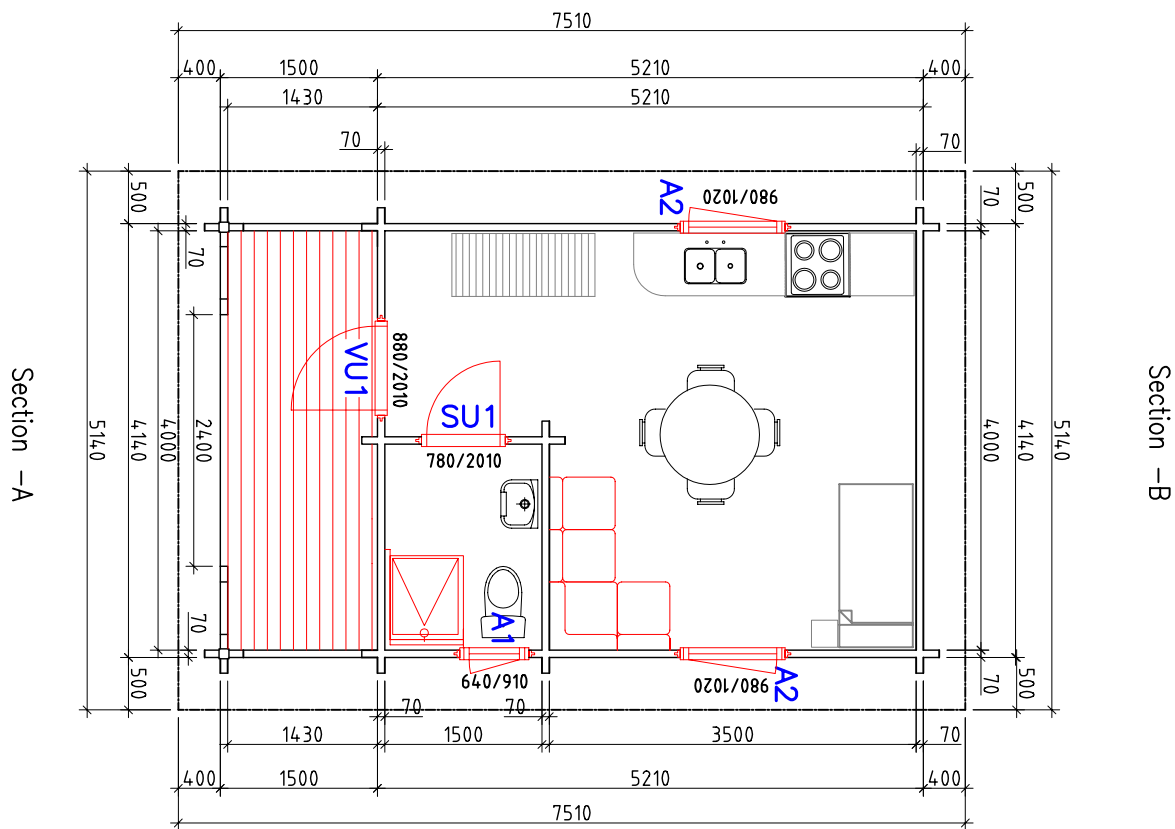
SECTIONS

Drawn by:
Tarmo Tigane

JOCO 21.5

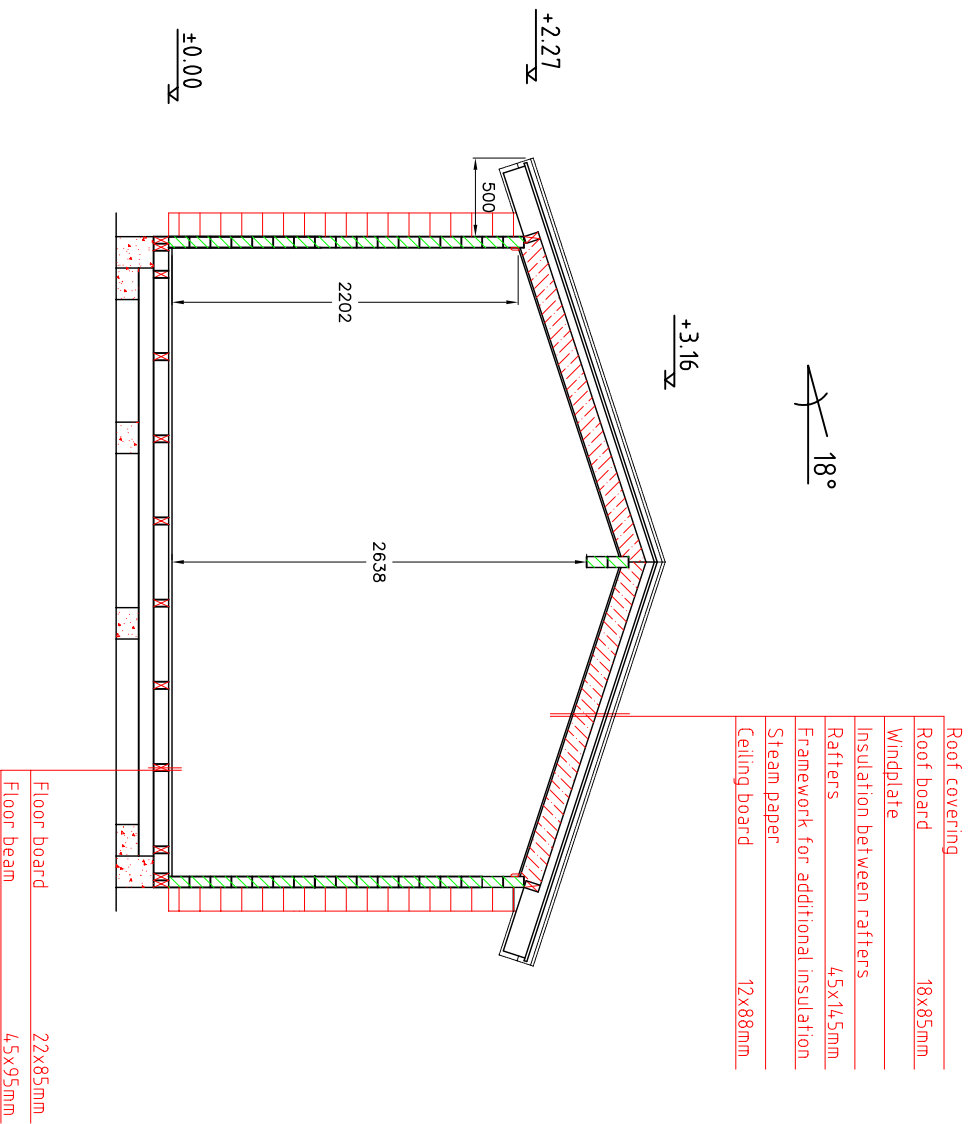
Page: 1.1
Measure:
1:75

Section -D



Section -C

| | | |
|---------------------------|-------------|------------------|
| Drawn by: Tarmo Tigane | GROUND PLAN | Page: 2 |
| | JOCO 215 | Measure: 1:75 |



Cross-section A-A

| | | |
|---------------------------|-----------|------------------|
| CROSS-SECTION | | Page: 5 |
| Drawn by: Tarno Tigane | JOCO 21.5 | Measure: 1:50 |

