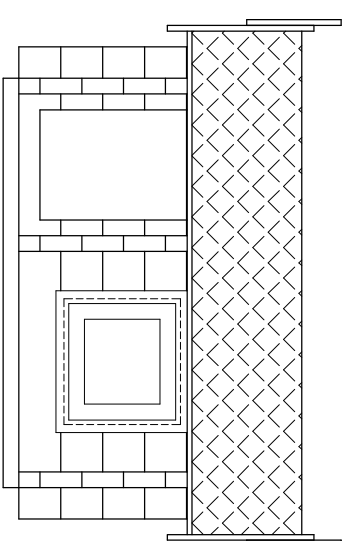
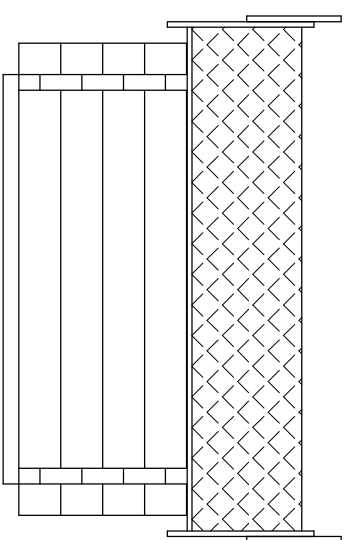
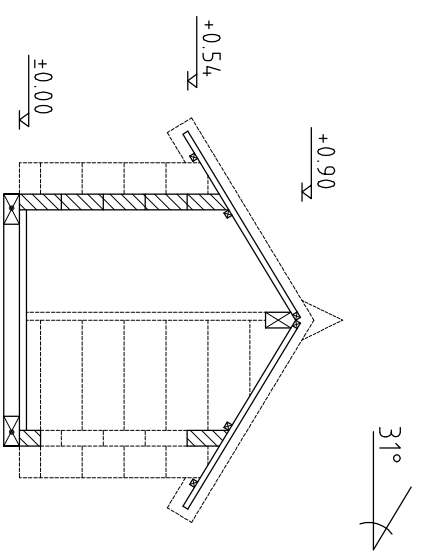
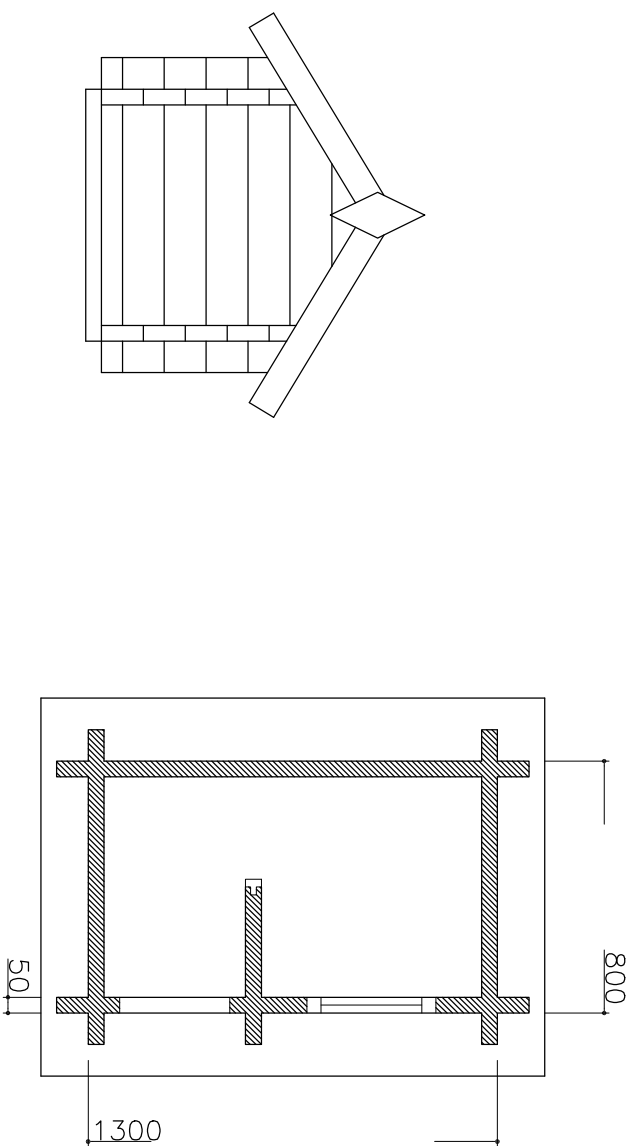


# Jossu 2



**AS RDM**  
Kruusa 29, 61503 Elva  
Estonia  
Phone: +37 27 - 457 610  
Fax: +37 27 - 457 238  
E-mail: [rpm@rpm.ee](mailto:rpm@rpm.ee)  
<http://www.rpm.ee>