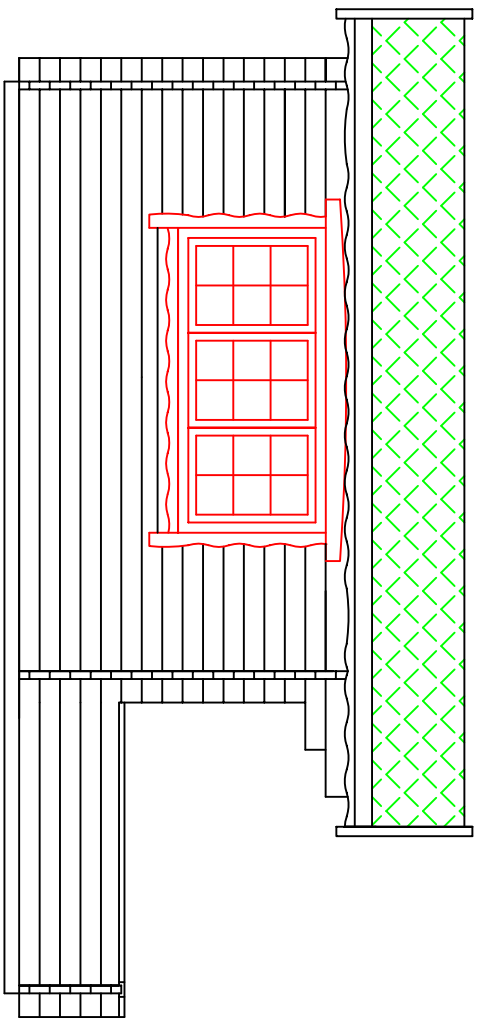
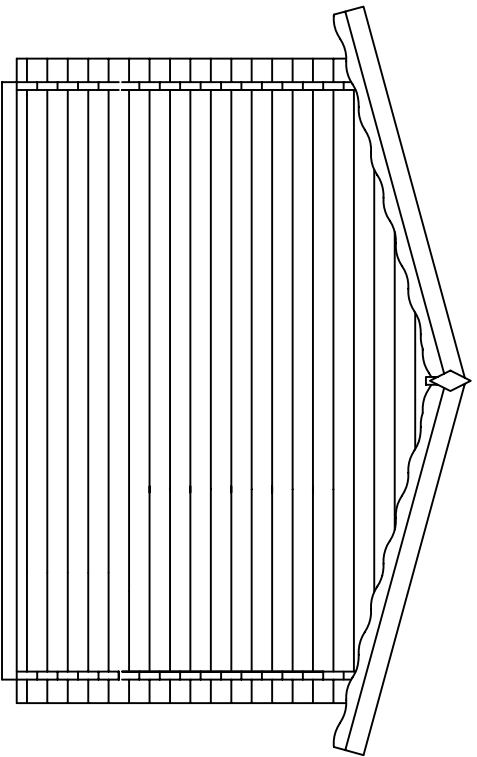


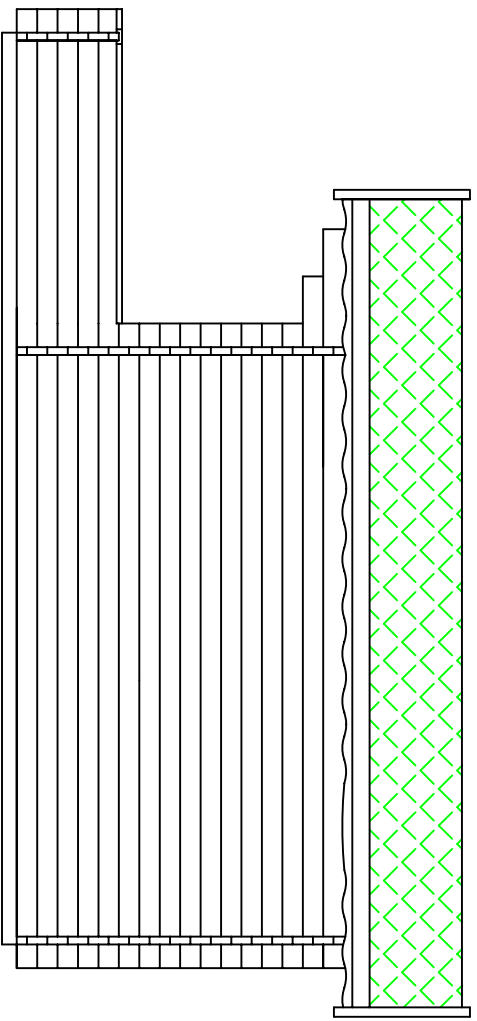
Section -A



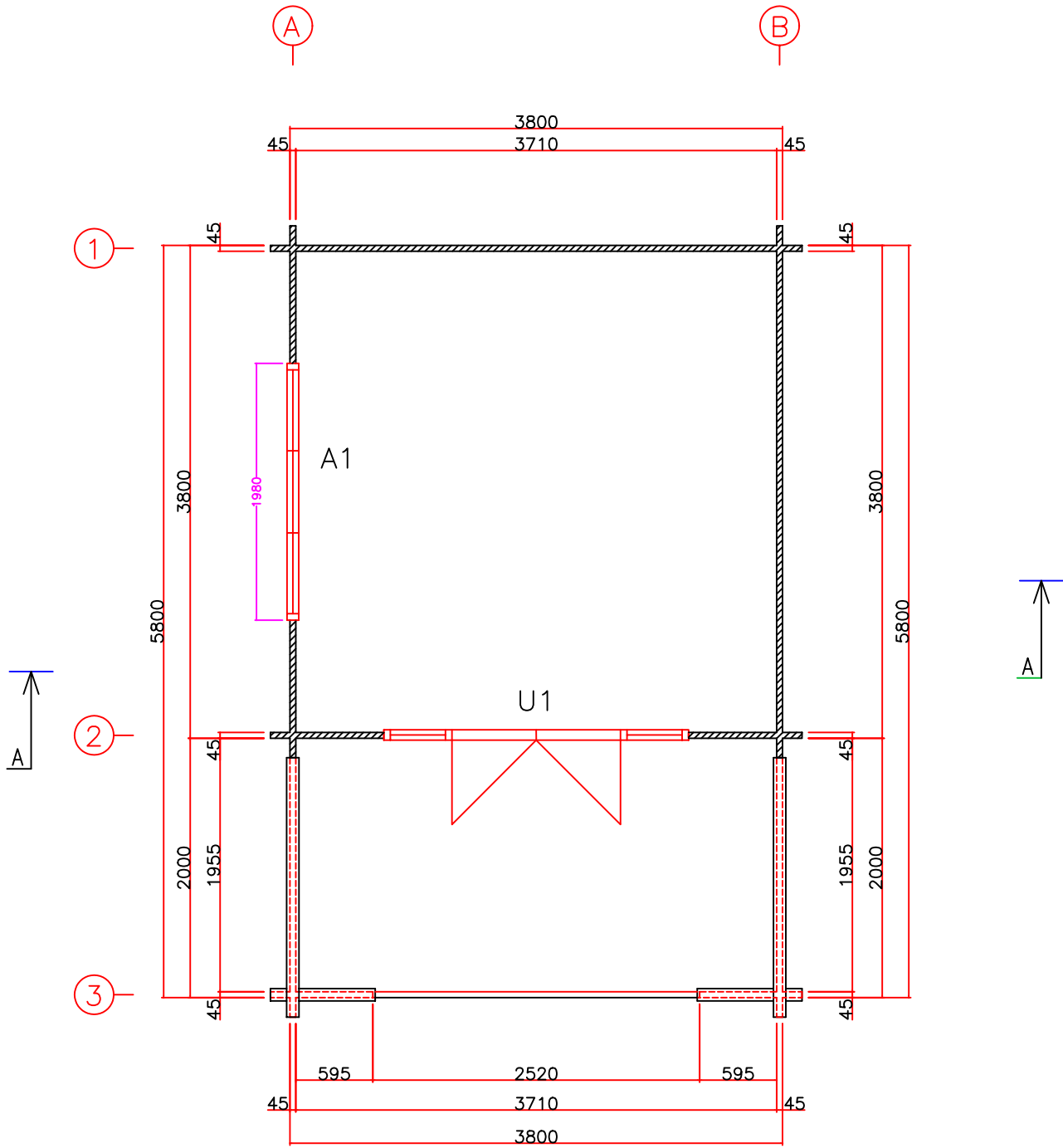
Section -C



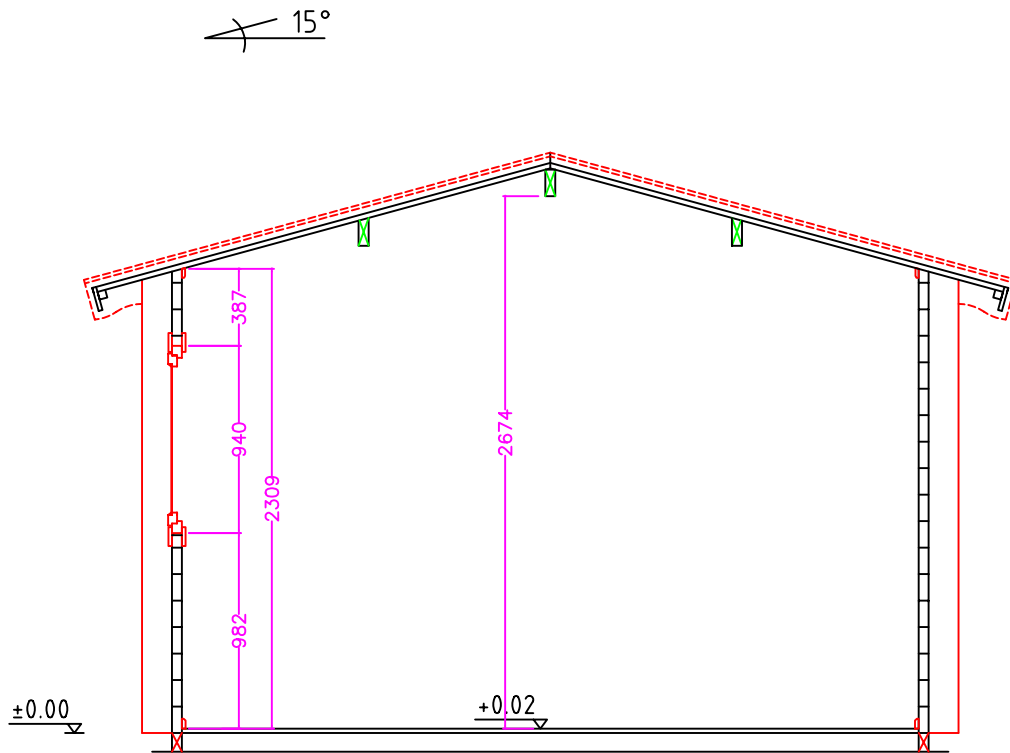
Section -B



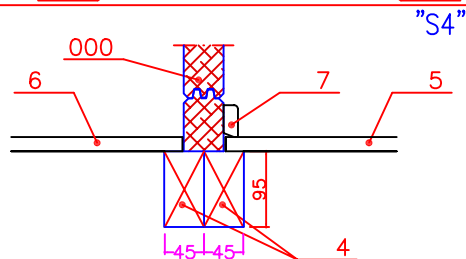
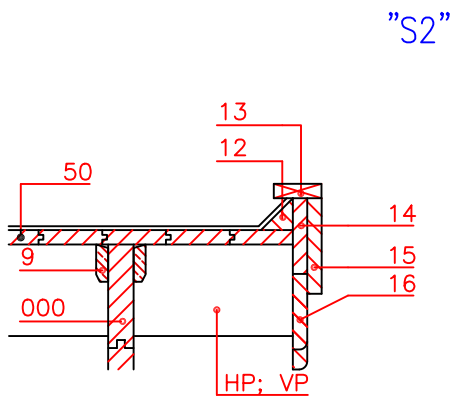
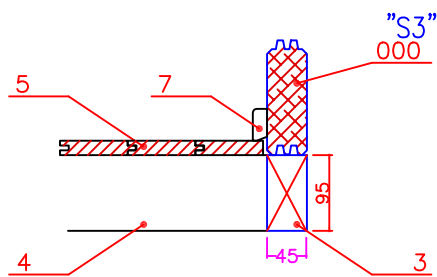
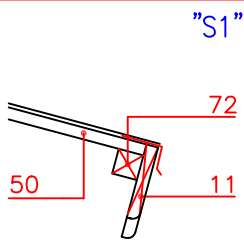
Section -D



GRUNDRISS		Page: 2
Drawn by: JPK	File: Lyndhurst 45	Measure: 1:50



Cross-section A-A



CROSS-SECTION  
M 1: 40