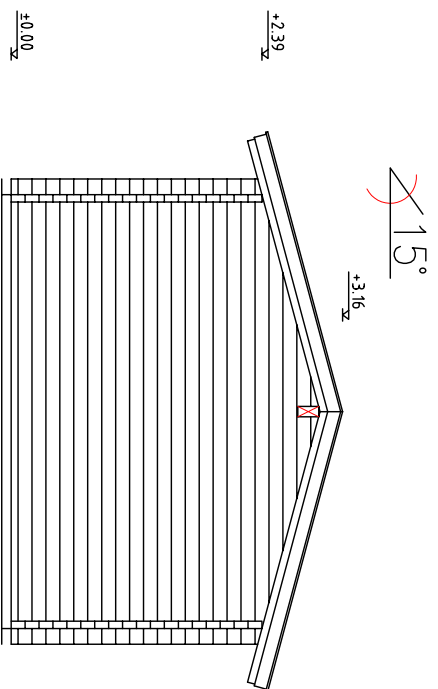
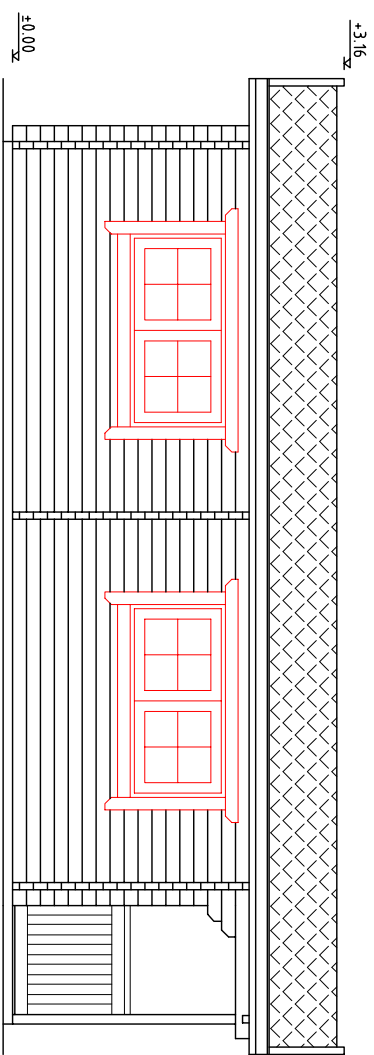


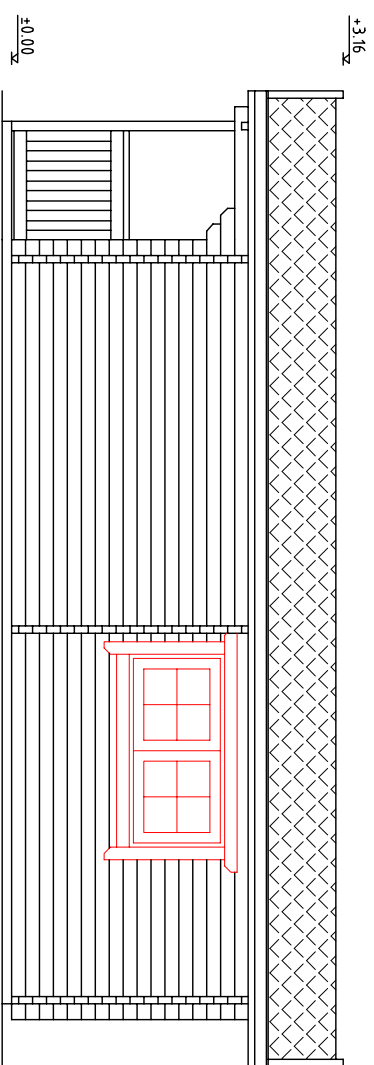
Section -A



Section -B

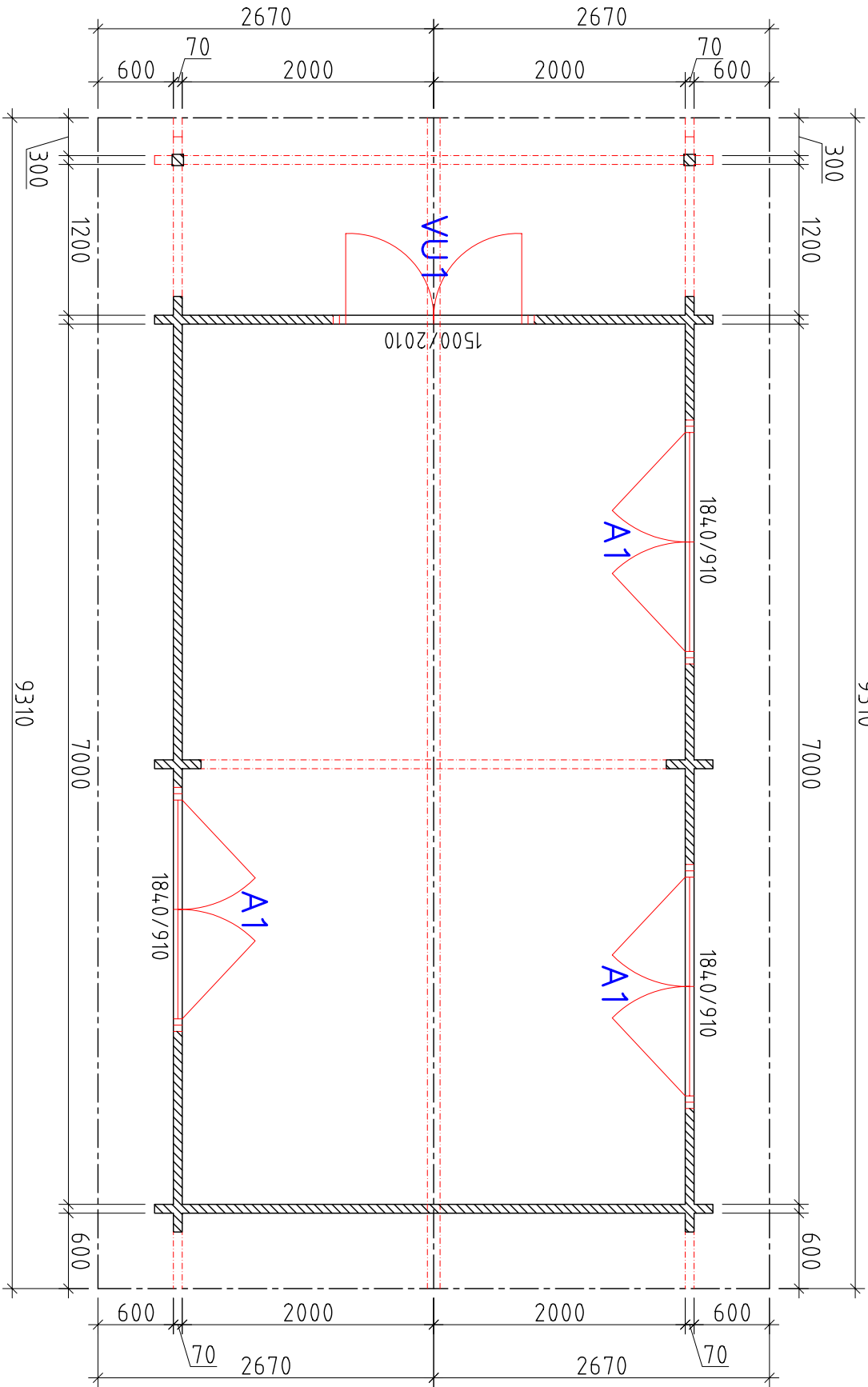


Section -C



Section -D

Section -A



Section -C

Section -D

Section -B

GROUND PLAN

Drawn by:
Tarmo Tigane

JOHN MOOR

Page: 4.2

Measure:
1:50