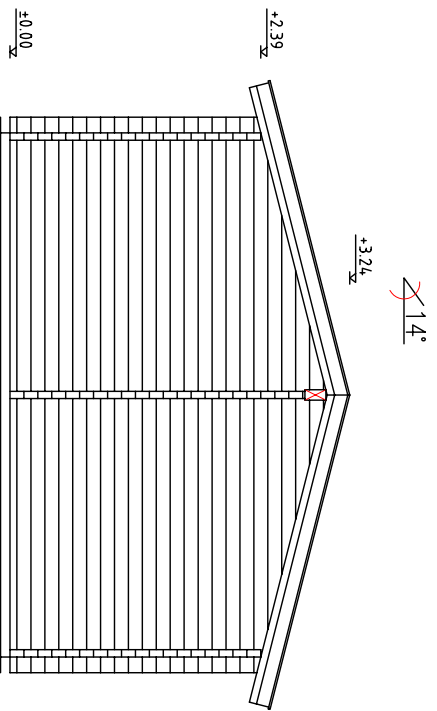
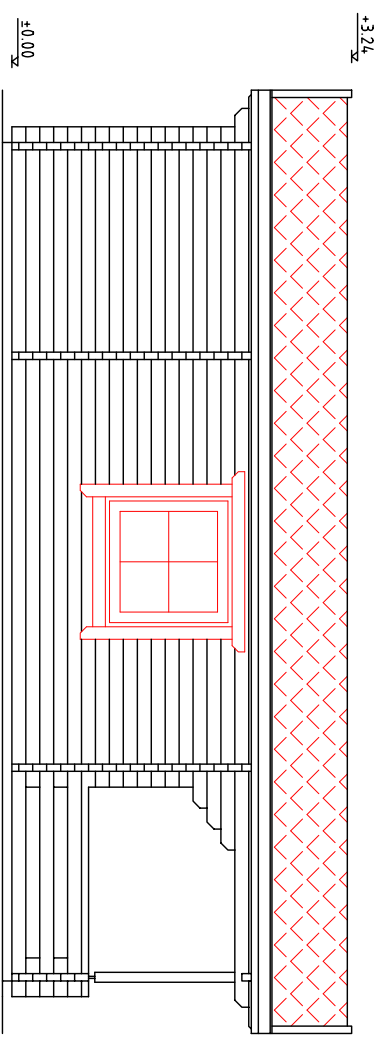


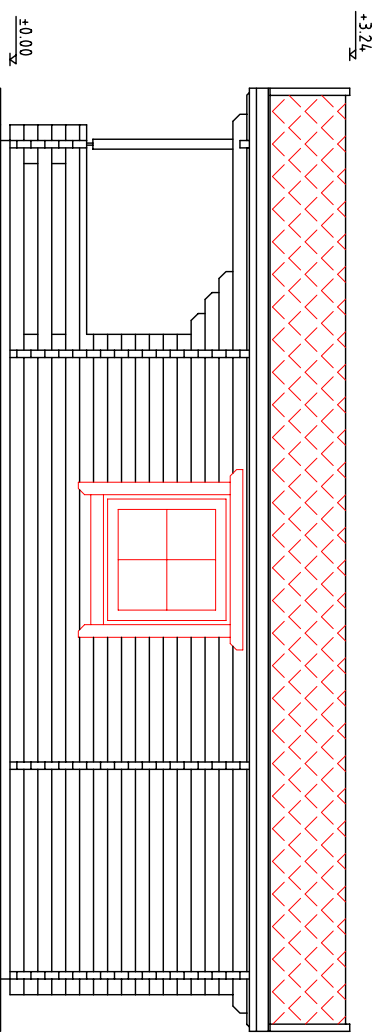
Section -A



Section -B

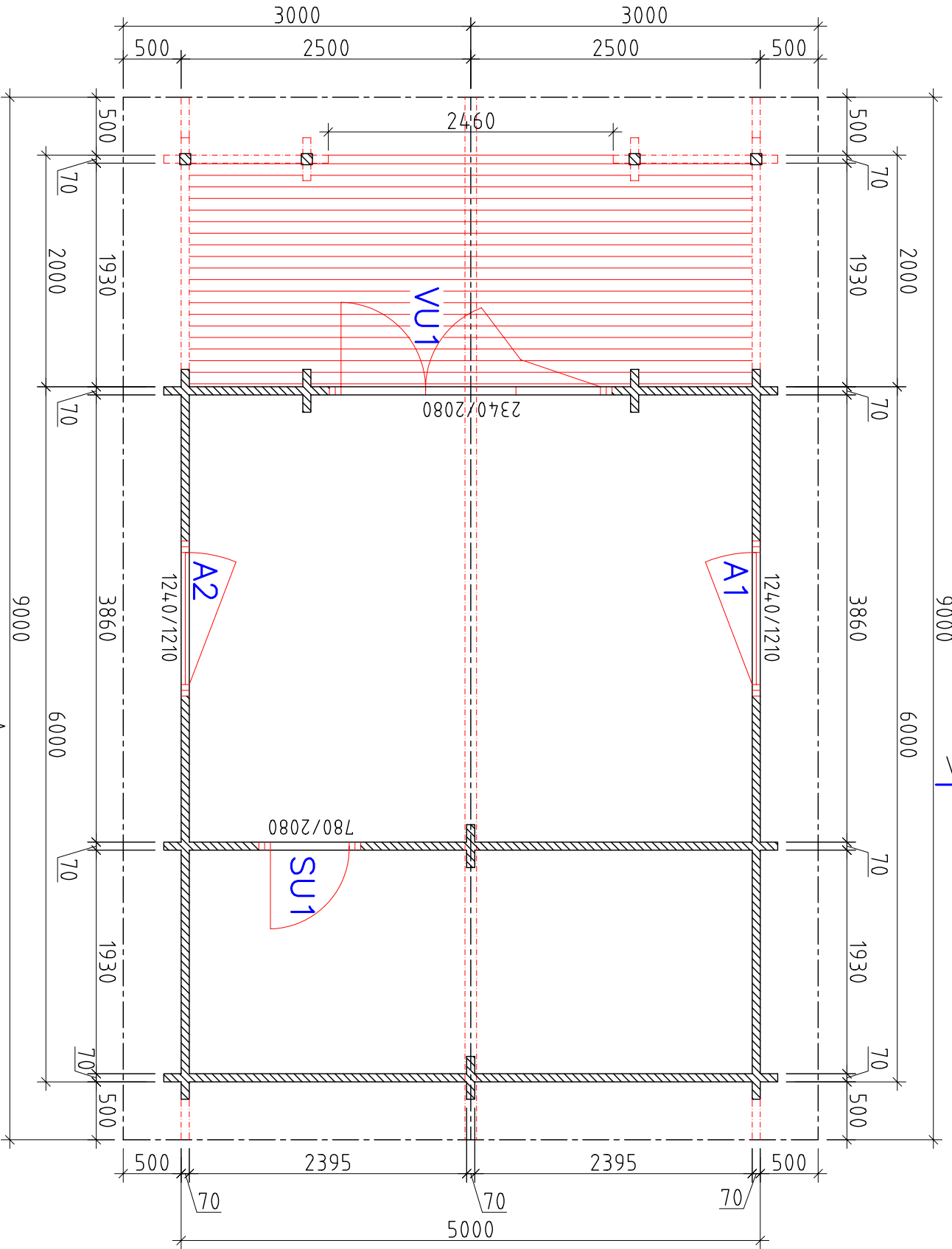


Section -C



Section -D

Section -A

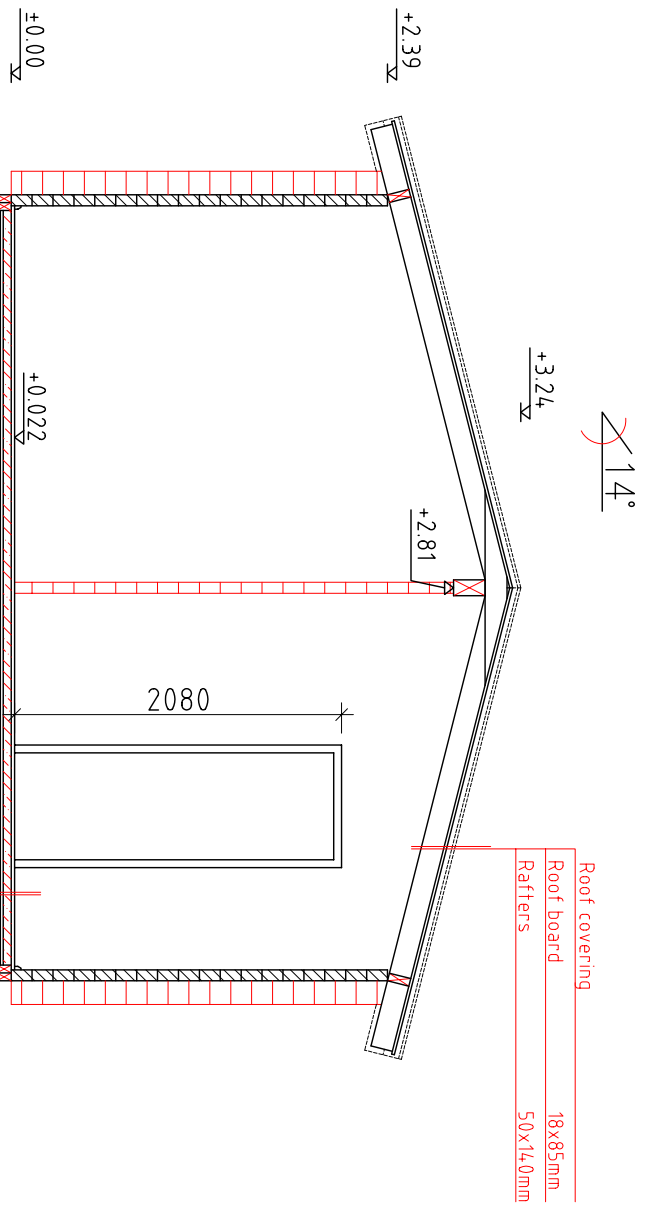


Section -C
A

Section -B

Section -D
A

Drawn by: Tarmo Tigane	GROUND PLAN	Page:4.2
	PIONEER 40	Measure: 1:50



Cross-section A-A

Roof covering	
Roof board	18x85mm
Rafters	50x14.0mm
Floor board	22x85mm
Paper	
Insulation	
Floor beam	50x90mm
Black floor	
Black floor fixing board	21x30mm

CROSS-SECTION

Drawn by:
Tarmo Tigane

PIONEER 4.0

Page: 4.4

Measure:
1:50