





Spezifikation der Innentüren	Page 7.4	
Specifications of materials	Page 7.5	
Specification of boundary slats for windows (A, RU)	Page 7.5.0.	
Specification of boundary slats for external doors (VU)	Page 7.5.0.2	
Building accessories for logwall	Page 7.6	
Building accessories	Page 7.7	
Building accessories 1	Page 8	
Building accessories 2	Page 8	
<b><u>Fitting instruction</u></b>		
Foundation		
Logwalls		
Pegs		
T-piece for doors and windows		
Frame		
Floor		
Inserted ceiling		
Roof ceiling		
Roof		
Terrace border		
Balcony border		
Staircases		
Windows		
Balcony doors		
External doors		
Internal doors		
Building accessories for logwall		Regulation
Sauna bench		
Ridge		

## GUARANTEE CONDITIONS for RPM LOGHOUSES

Dear friend,

With our co-operation we succeeded to finish nice and elegant log house. From long ago we know that the particularity of log construction is its settlement or “sitting” within two years. To keep the house in good condition and to have the house looking good over many years following regulation works has to be done by you:

- Vertically standing pillars has to be lowered by using regulating bolts (pos no. 141) until the log wall witch is leaning on it is in level (page 17-03).
- The logs witch are leaning on the brick (stone) wall has to be lowered using regulating bolts (pos. no. 141) until the log wall witch is leaning on it is in level (page 17-04).
- Screw bars (pos. no. 149) in the log walls have to be tight. The bars have to be tighten comparatively strong (page 17-02 do not brake the screw bars!!!).

The above-mentioned regulating works have to be done in following order:

- First month after the house is finished – every week.
- Second month after the house is finished – every second week.
- On third month and after – when needed.

Vertically standing walls have to be always on plumb line and screw bars have to be tight!!

The regulating works do not pertain under the guarantee. These works has to be done by client!

---

The regulating of doors and windows does not pertain under the guarantee.

By settlement of the house some doors or windows may move from its original spot. Together with doors and windows the client will get special regulating wrench. If you cannot regulate the doors and windows yourself you can order a specialist to do it. Please contact your local reseller.

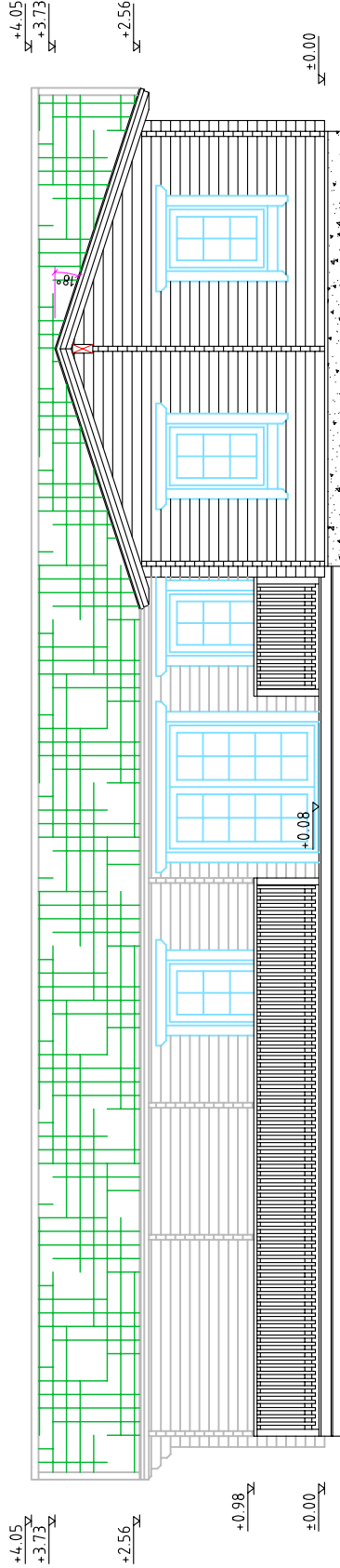
**The guarantee is valid if the Customer, additionally to the above-mentioned works, is painting the house twice with special timber paint, within the guarantee time (five years).**

**For additional information please contact the producer / reseller.**

# Architectural- constructional part (AE)

The technical drawings are based on customer's wishes and on technical possibilities of the producer!





Square log 70x133mm

RICHARD FAULDS

Elevation - A

Drawn by:

Alvar Rebane

RPM Ltd

Page:

AE: 4.1

scale:

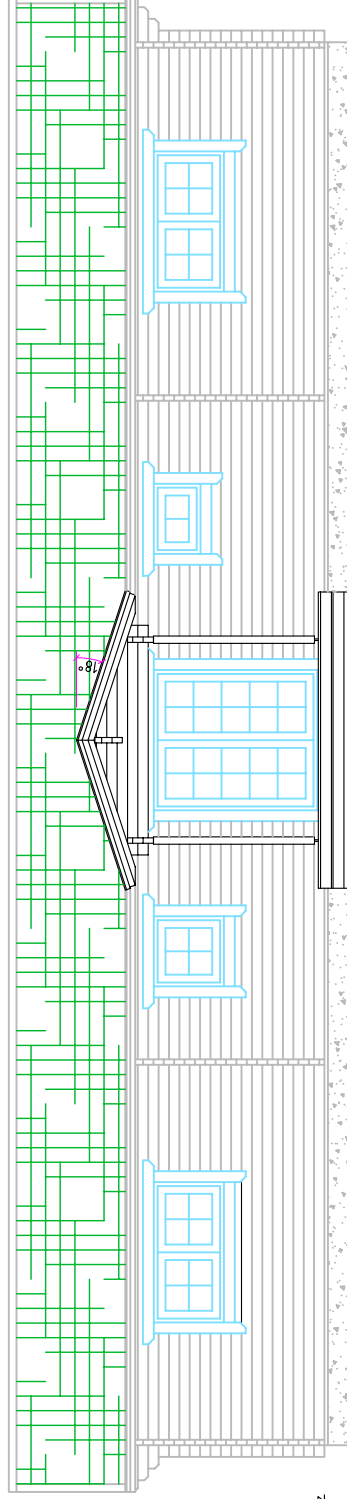
1:100

+4.05

+3.18

+2.56

+0.00



Square log 70x133mm

RICHARD FAULDS

Elevation - B

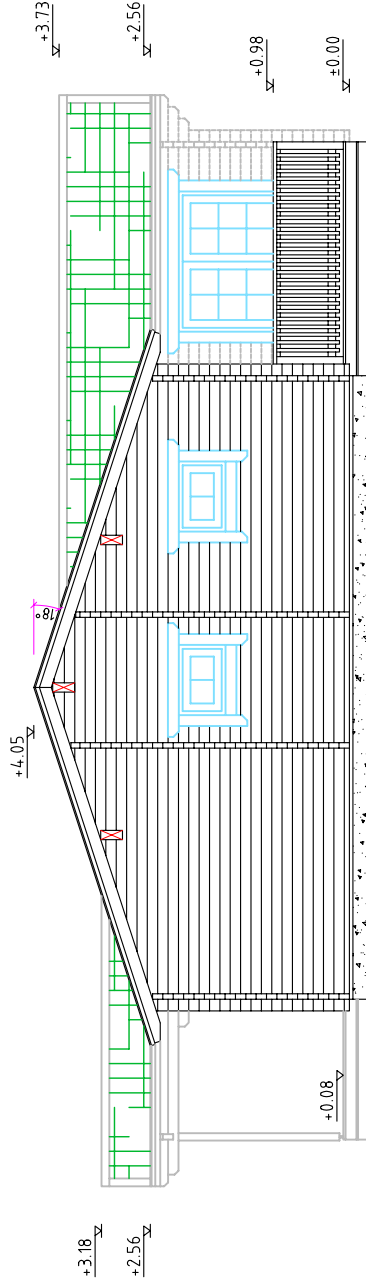
Drawn by:

Alvar Rebane

RPM Ltd

Page: AE: 4.1.1

scale: 1:100



Square log 70x133mm

RICHARD FAULDS

Elevation - C

Drawn by:

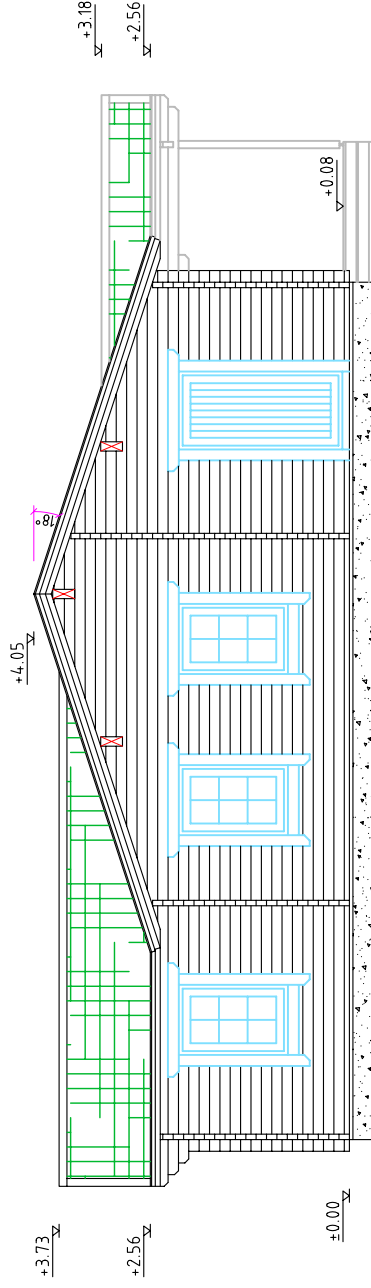
Alvar Rebane

RPM Ltd

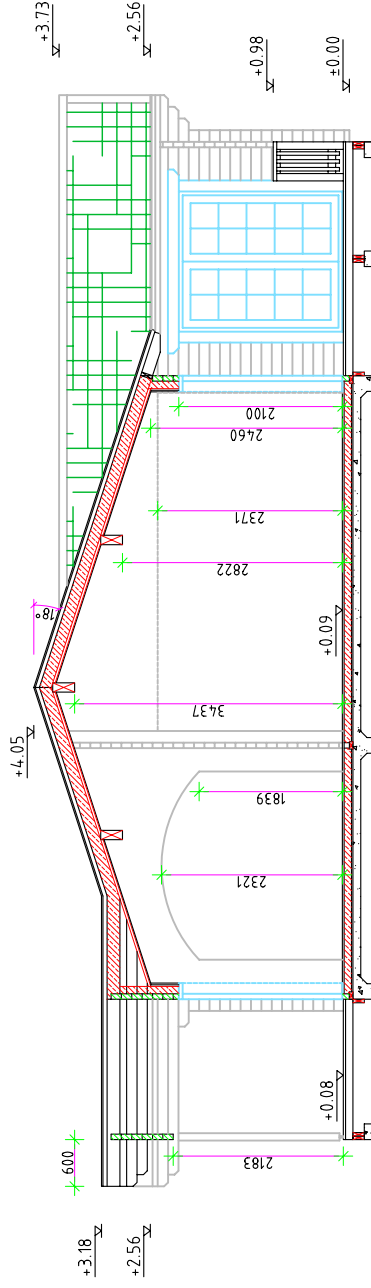
Page: AE: 4.1.2

scale: 1:100









Square log 70x133mm

RICHARD FAULDS

Cross-section A-A

Drawn by:

Alvar Rebane

RPM Ltd

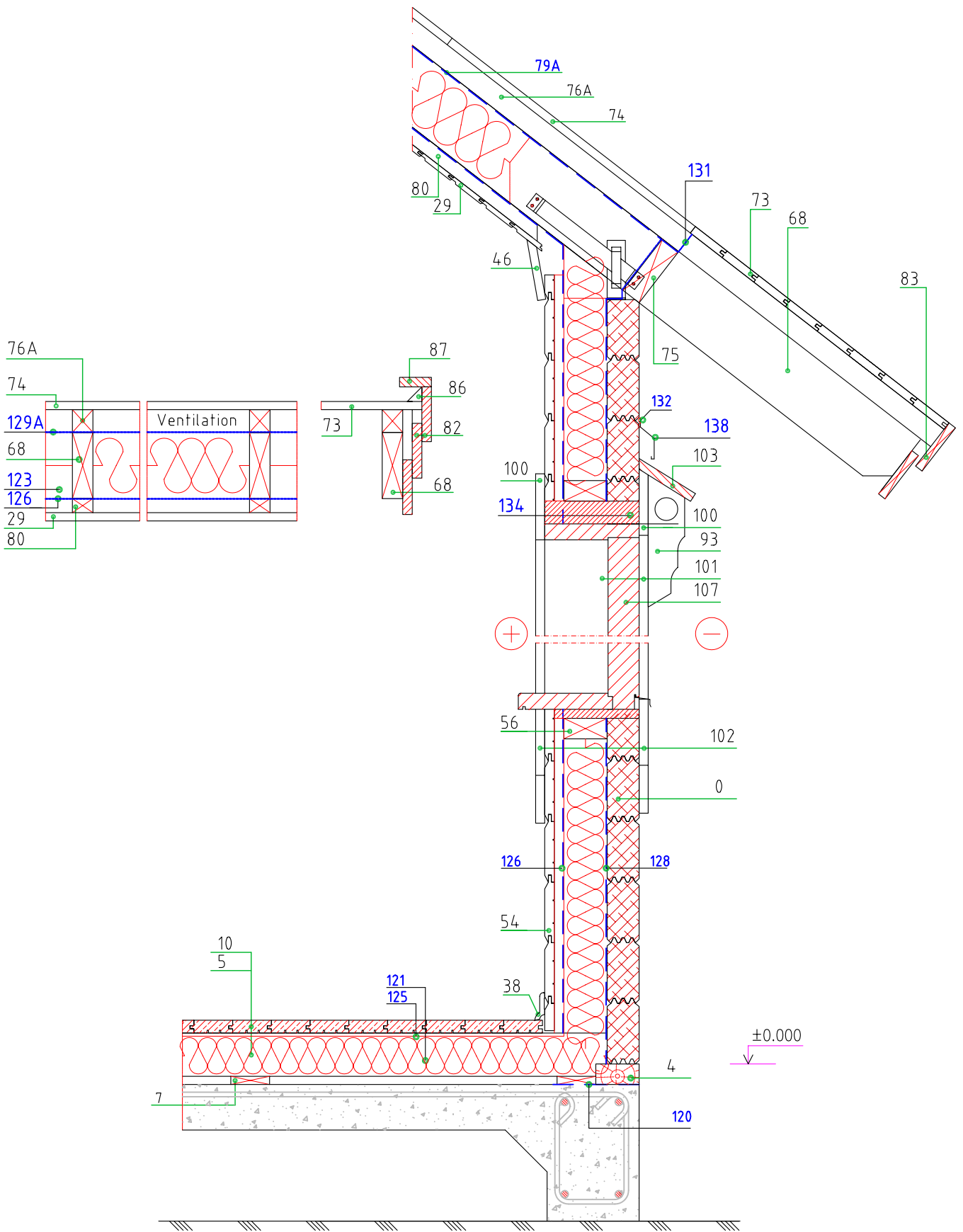
Page:

AE: 4.4

Scale:

1:100

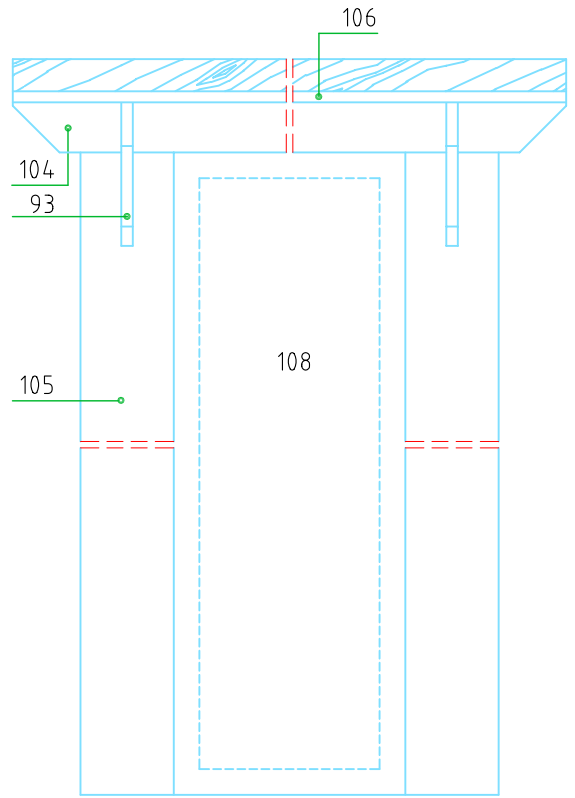
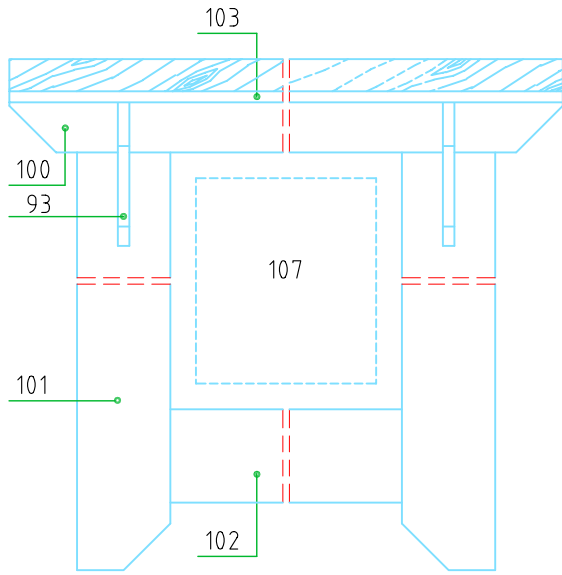




Explained on page 5.2.

General information

Drawn by: Alvar Rebane		
RPM Ltd	Page 5	scale: 1:12



Explained on page 5.2

General information

Drawn by: Alvar Rebane		
RPM Ltd	Page 5.1	scale: 1:10

## Description: General information

0	Oval log	195 x 176	Is not included	--
0	Rectangular log	70 x 133	Included	Page 6.4
1	Floor joist	45 x 145	Included	Page 7.5
2	Slat for foundation	50 x 50	Is not included	--
3	Flipting slat for TA-TAM room	45 x 45	Is not included	--
4	Socket	45 x 95	Included	Page 7.5
5	Floor beam of ground floor inside	45 x 95	Included	Page 7.5
6	Floor beam of ground floor outside	45 x 95	Included	Page 7.5
7	Base board of ground floor	18 x 86	Included	Page 7.5
8	Subfloor fixing board	21 x 95	Is not included	--
9	Subfloor	18 x 86	Is not included	--
10	Floor board of ground floor	22 x 675	Included	Page 7.5
11	Terrace floor board	28 x 95	Included	Page 7.5
12	Round pegs for terrace railing	40 x 40	Is not included	--
13	Rectangular peg for terrace railing	21 x 45	Included	Page 7.5
14	Peg fixing board for terrace railing	35 x 95	Is not included	--
15	Pillars for terrace railing	95 x 95	Included	Page 7.5
16	Handrail (ground floor)	45 x 145	Included	Page 7.5
17	Skirting for terrace railing	21 x 120	Included	Page 7.5
18	Terrace railing diagonals	28 x 95	Is not included	--
19	Terrace railing frame	45 x 95	Included	Page 7.5
20	Farmework	30 x 50	Is not included	--
21	Ceiling boards of ground floor	18 x 88	Is not included	--
21A	Aspen ceiling boards of sauna HAAB	16 x 88	Is not included	--
22	Floor beam of top storey	45 x 95	Is not included	--
23	Floor joist for second floor outside	45 x 95	Is not included	--
24	Base board of top storey	18 x 86	Is not included	--
25	Floor boards of top storey	28 x 87	Is not included	--
26	Balcony floor boards	28 x 95	Is not included	--
27	Skirting for floor edge in opened ceiling	21 x 160	Is not included	--
28	2 storey floor border slat	0 x 90	Is not included	--
29	Ceiling boards of top storey	11 x 88	Included	Page 7.5
30	Round pegs for balcony railing	40 x 40	Is not included	--
31	Rectangular peg for balcony railing	0 x 0	Is not included	--
32	Peg fixing board for balcony railing	35 x 95	Is not included	--
33	Pillars for balcony railing	0 x 0	Is not included	--
34	Handrail	45 x 0	Is not included	--
35	Skirting for balcony railing	21 x 140	Is not included	--
36	Balcony railing diagonals	28 x 95	Is not included	--
37	Balcony railing frame	0 x 50	Is not included	--
38	Plinth	14 x 70	Included	Page 7.5
39	Ceiling listings	22 x 25	Included	Page 7.5
40	Plinth for gardenhouse	13 x 45	Is not included	--
41	Balcony listings for gardenhouse	22 x 50	Is not included	--
42	Ceiling listing for gardenhouse	13 x 45	Is not included	--
43	Wide ceiling listings	18 x 60	Included	Page 7.5

44	Listing for wall corners	22 x 25	Included	Page 7.5
45	Listing for wall corners	30 x 30	Is not included	--
46	Skirting board	21 x 120	Included	Page 7.5
47	Skirting board for walls	21 x 140	Is not included	--
48	Decorative board for round log ceiling beams	0 x 0	Is not included	--
49	Board on stonewall	45 x 0	Is not included	--
50	Internal light wall frame (ground floor)	45 x 95	Included	Page 7.5
50A	Internal light wall frame (ground floor)	45 x 0	Is not included	--
51	Frame (ground floor)	45 x 95	Is not included	--
52	External spacing board for framewall (ground floor)	21 x 90	Is not included	--
53	Internal spacing board for framewall (ground floor)	21 x 45	Included	Page 7.5
54	Internal paneling of ground floor	21 x 133	Included	Page 7.5
54A	Internal paneling of ground floor	21 x 133	Included	Page 7.5
54B	Aspen cladding for sauna wallsHAAB	16 x 88	Is not included	--
54C	Aspen covering boards for saunaHAAB	17 x 90	Is not included	--
55	External siding panels for ground floor	21 x 180	Is not included	--
56	Insulating carcass	45 x 95	Included	Page 7.5
57	Slide board for insulating carcass	21 x 90	Is not included	--
58	Fixing for slideboard	18 x 60	Is not included	--
59	Board on top of upper wall log	45 x 95	Is not included	--
60	Internal light wall frame	45 x 95	Is not included	--
60A	Internal light wall frame	45 x 50	Is not included	--
61	Frame	45 x 95	Is not included	--
62	Support pillars of framewall	0 x 0	Is not included	--
63	Extension slat for framewall	45 x 50	Is not included	--
64	External spacing board for framewall	21 x 90	Is not included	--
65	Internal spacing board for framewall	21 x 90	Is not included	--
66	Internal paneling for top storey	21 x 180	Is not included	--
66A	Internal paneling for top storey	21 x 180	Is not included	--
67	External siding panels for top storey	21 x 180	Is not included	--
68	Rafter	45 x 145	Included	Page 7.5
69	Board on top of upper wall log	45 x 95	Is not included	--
70	Ridge joint of rafters	21	Is not included	--
71	Rafter jointing board	21 x 120	Is not included	--
72	Collar beam	45 x 145	Is not included	--
73	Visible roofboard	18 x 86	Included	Page 7.5
74	Roofboards	18 x 86	Is not included	--
75	Board between rafters	45 x 145	Included	Page 7.5
76	Ventilation space slat (on top of roof)	30 x 50	Is not included	--
76A	Ventilation space slat (on top of roof)	45 x 50	Included	Page 7.5
77	Roofing slat	30 x 50	Is not included	--
78	Board on first roofing slat	30 x 50	Is not included	--
79	Windplate support	14 x 45	Is not included	--
79A	xxxx	6 x 45	Is not included	--
79B	Ventilation extension board	21 x 95	Included	Page 7.5
80	Slat for roof ventilation	30 x 50	Included	Page 7.5
81	Extension slat	30 x 50	Is not included	--
82	Gableboards	21 x 120	Included	Page 7.5
83	Eaves boards	21 x 120	Included	Page 7.5



84	Waved gable boards	21 x 120	Is not included	--
85	Waved eaves boards	21 x 120	Is not included	--
86	Triangular gable slat	32 x 32	Included	Page 7.5
87	Gable slat	21 x 70	Included	Page 7.5
88	Pillars	115 x 115	Included	Page 7.5
89	Purlin from laminated wood	120 x 280	Included	Page 7.5
90	Extra materials	0 x 0	Is not included	--
91	T-piece for wall continuing	0 x 0	Is not included	--
92	T-piece for doors and windows	70 x 50	Included	Page 7.5
93	Pungle board for windows/ doors	20 x 80	Included	Page 7.5
94	Peg for closing holes	35 x 35	Included	Page 7.5
95	Peg for closing holes	0 x 0	Included	Page 7.5
96	Decoration element	0 x 0	Is not included	--
100	Upper bordering board for window	21 x 120	Included	Page 7.4.2
101	Side bordering board for window	21 x 120	Included	Page 7.4.2
102	Lower bordering board for window	21 x 120	Included	Page 7.4.2
103	Topp bordering board for window	21 x 140	Included	Page 7.4.2
104	Upper bordering board for door	21 x 120	Included	Page 7.4.3
105	Side bordering board for door	21 x 120	Included	Page 7.4.3
106	Topp bordering board for door	21 x 140	Included	Page 7.4.3
107	Window (A,RU)		Included	Page 7.1
108	Door (VU, SU)		Included	Page 7.3

## Description: Building accessories 1

109	Wool between oval wallogs (Coretex)	8	Is not included	--
109.1	Coretex wool for rectangular logwall	8x	Included	Page 8
109.2	Coretex wool for rectangular logwall corners	8x	Included	Page 8
109.3	Coretex wool between rect. log and T-piece	8x	Included	Page 8
110	Regulating screw for doors and windows		Included	Page 8
111	Plastic closing for screwholes in external doorframes and windows		Included	Page 8
111.1	Plastic closing for screwholes in internal doorframes		Included	Page 8
112	Wooden closing for screwholes in doorframe		Is not included	--
113	Regulating screw for doors and windows		Included	Page 8

## Description: Building accessories 2

120	Hydroinsulation under first wallog		Included	Page 8
121	Insulation (ground floor)		Is not included	--
122	Insulation (first floor)		Is not included	--
123	Insulation (roof)		Is not included	--
124	Insulation (frame walls)		Is not included	--
125	Building paper		Included	Page 8
126	Vapour barrier		Included	Page 8
126 A	Tape for vapour barrier		Included	Page 8
127	Folium		Is not included	--
127 A	Tape for folium		Is not included	--
128	Wind barrier		Included	Page 8

129	Windplate 1200x2700mm	Is not included	--
129 A	Windproof fabric	Included	Page 8
130	Underlayer for roof covering	Included	Page 8
131	Insect net between rafters	Included	Page 8
132	Silicone	Included	Page 8
132 A	Silicone for det.138	Included	Page 8
133	Montage foam	Included	Page 8
134	Insulation for doors and windows	Is not included	--
135	Roof covering, colour	Included	Page 8
136	Ridge covering	Is not included	--
137	Ridge capping L=2000mm	Included	Page 8
137.1	Eaves flashing	Included	Page 8
137.2	Rainwater systems	Included	Page 8
138	Metal sheet above doors and windows (Brown)	Included	Page 8

## Description: Building accessories for logwall

Set includes details described on

Page 7.6

## Description: Building accessories

Set includes details described on

Page 7.7

# Constructional - building part (KE)

- Distance between rafters (68) is 600 mm. It can be a little more or less if needed (next to walls etc.).

- Board for ventilation space (76) must be nailed through roofing boards on rafters.

- Battens under roof ceilings (80 ; 81) should be placed after every 600 mm or a little more or less if needed (next to walls, purlins etc.).

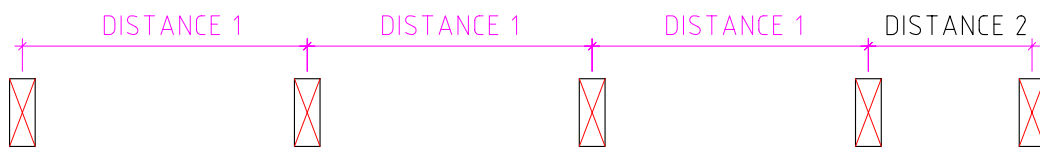
- Distance between floor beams (5 ; 6 ; 22 ; 23) is 600 mm. It can be a little more or less if needed (next to walls etc.).

- If storey floor joist support (24) should be placed on ceiling boards (21) exactly on ceiling beams from wall log.

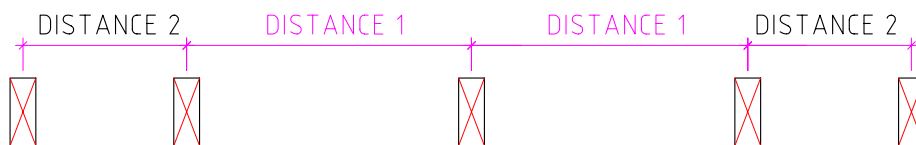
- Continuing of floorboards (10 ; 11 ; 25 ; 26) should not be made in one row.

- Continuing of ceiling boards (29) should not be made in one row.

Method 1 : placing beams

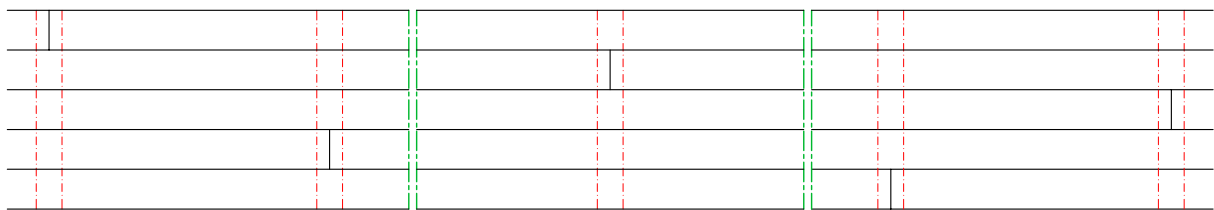


Method 2 : placing beams



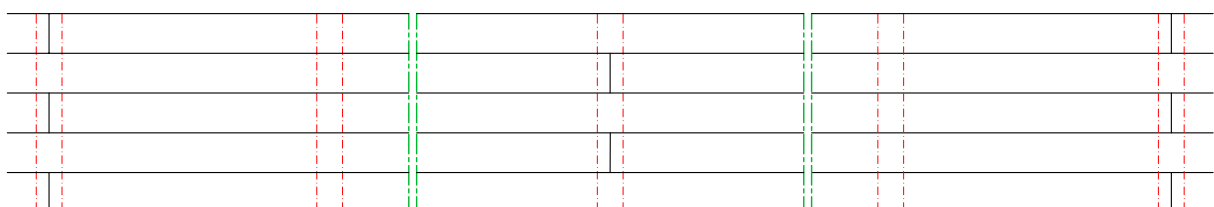
Method 1

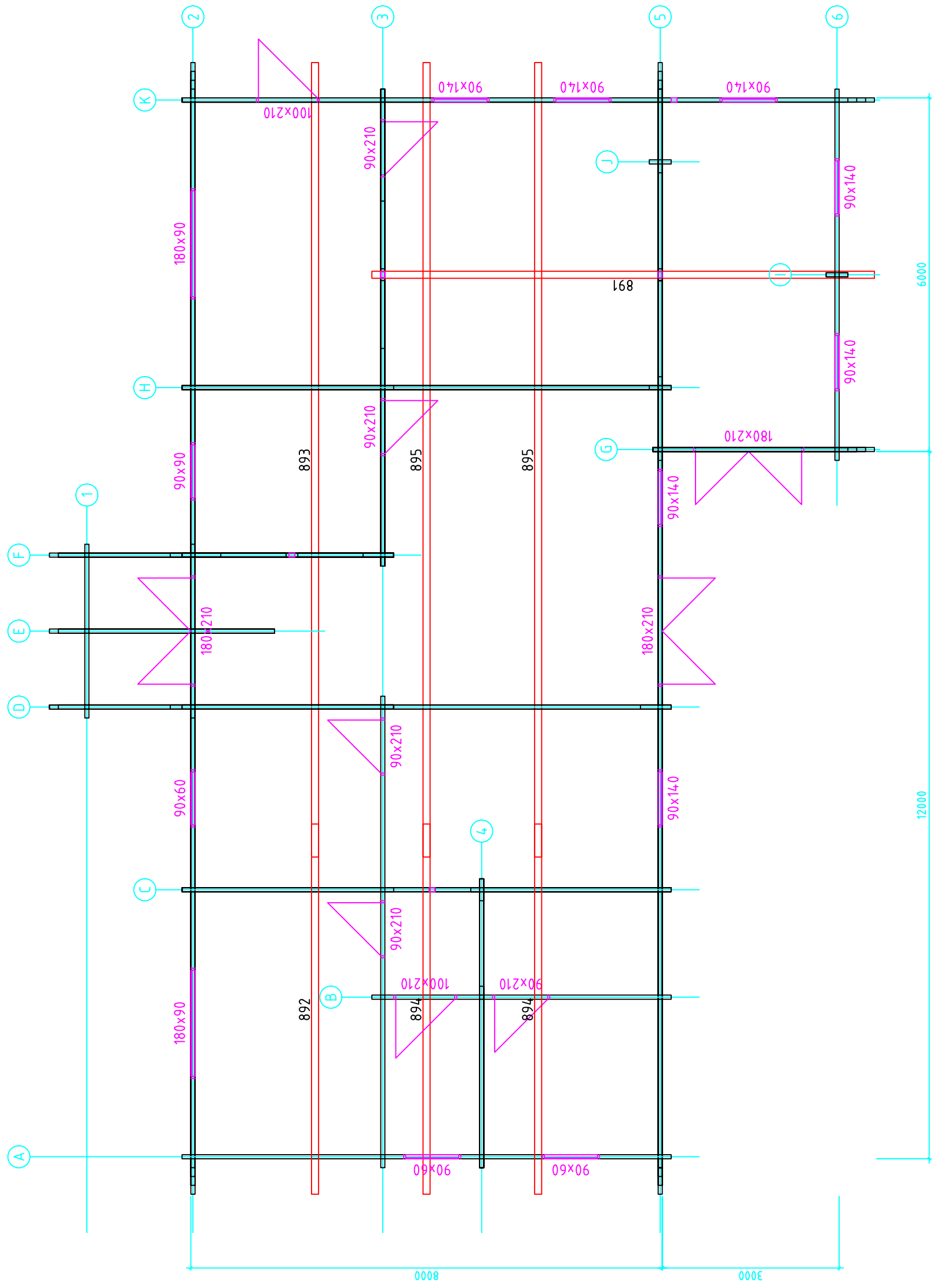
Continuing floor boards (10 ; 25) and ceiling boards (29)



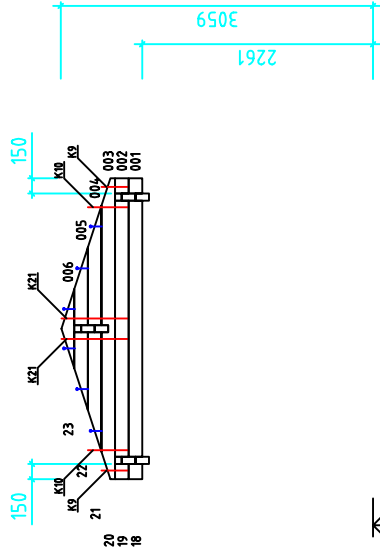
Method 2

Continuing floor boards (10 ; 25) and ceiling boards (29)

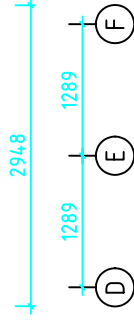




Kood	Leht	6.2
Joonis	Mootkava	1:75
Materjal	70x133	Koop. 04.02.2011
Joonestaj	A.Rebane	File RICHARD FAULDS.dwg

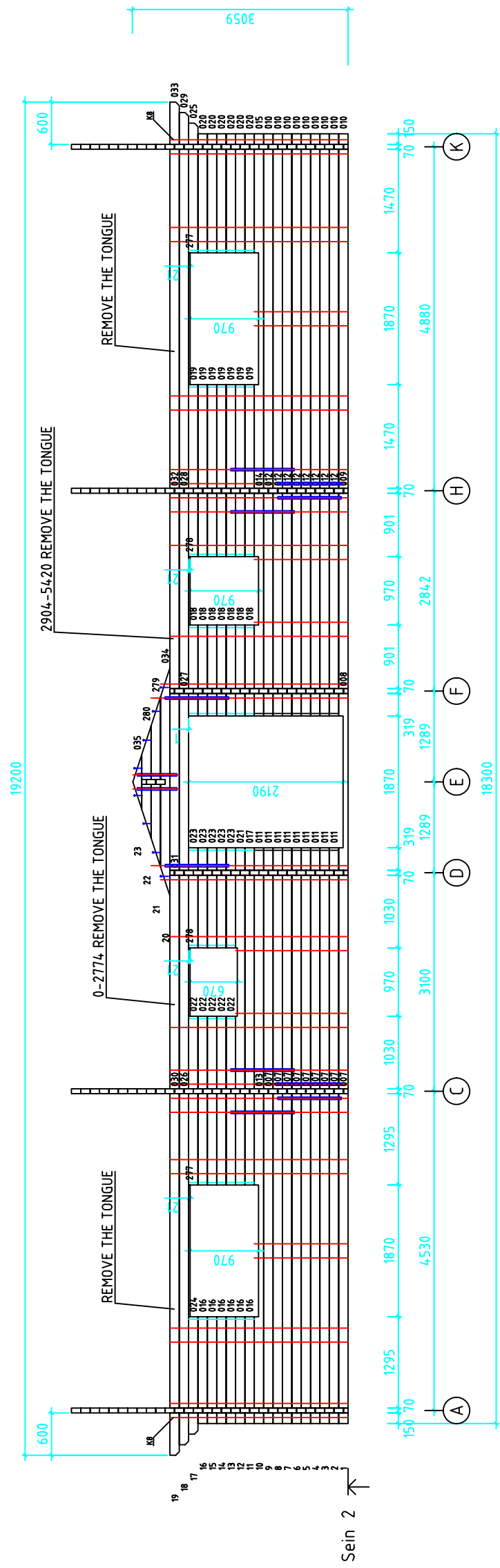


Sein 1 ↑



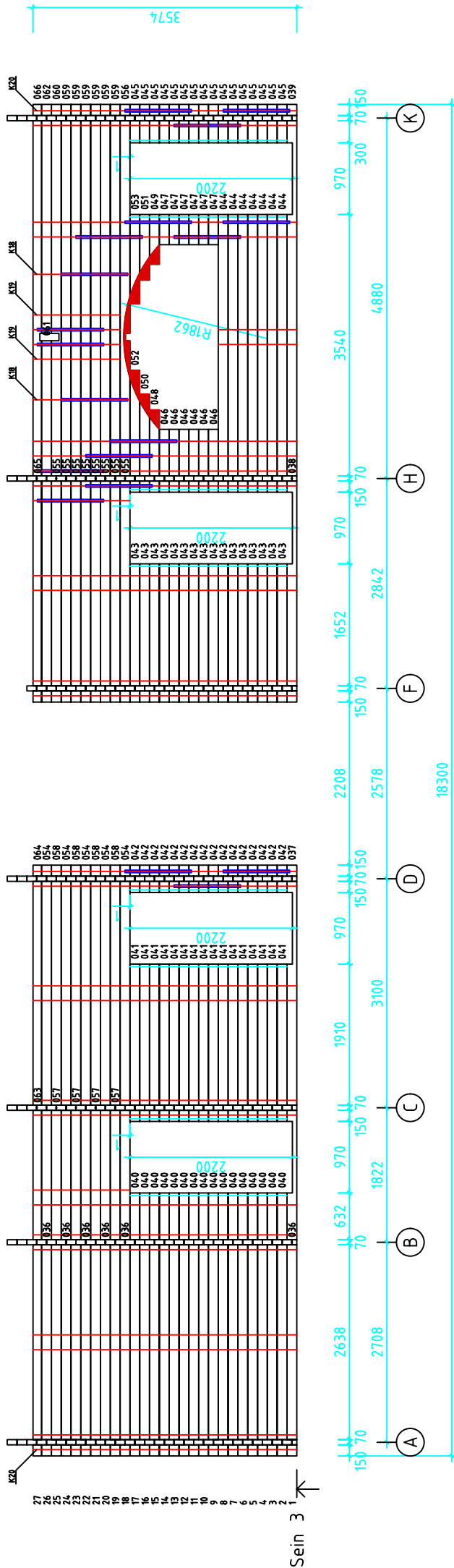
1 – Scew 6x100  
 — Pipe

Kood	Leht	6.2.1
Joonis	SEIN 1	Mootkava 1:75
Materjal	70x133	Kuup. 04.02.2011
Joonestaj	A.Rebane	File RICHARD FAULDS.dwg



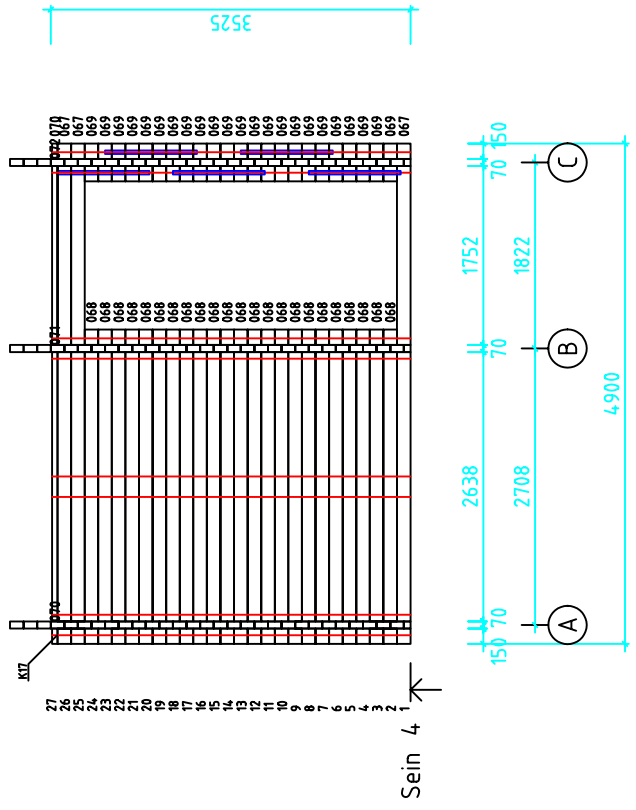
I - Scrow 6x100  
 --- Pipe

Kood	Leht	6.2.2
Joonis	Moorkava	SEIN 2 1:75
Materjal	Kuup.	70x133 04.02.2011
Joonistas	File	A.Rebane RICHARD FAULDS.dwg



1 – Scrow 6x100  
 — Pipe

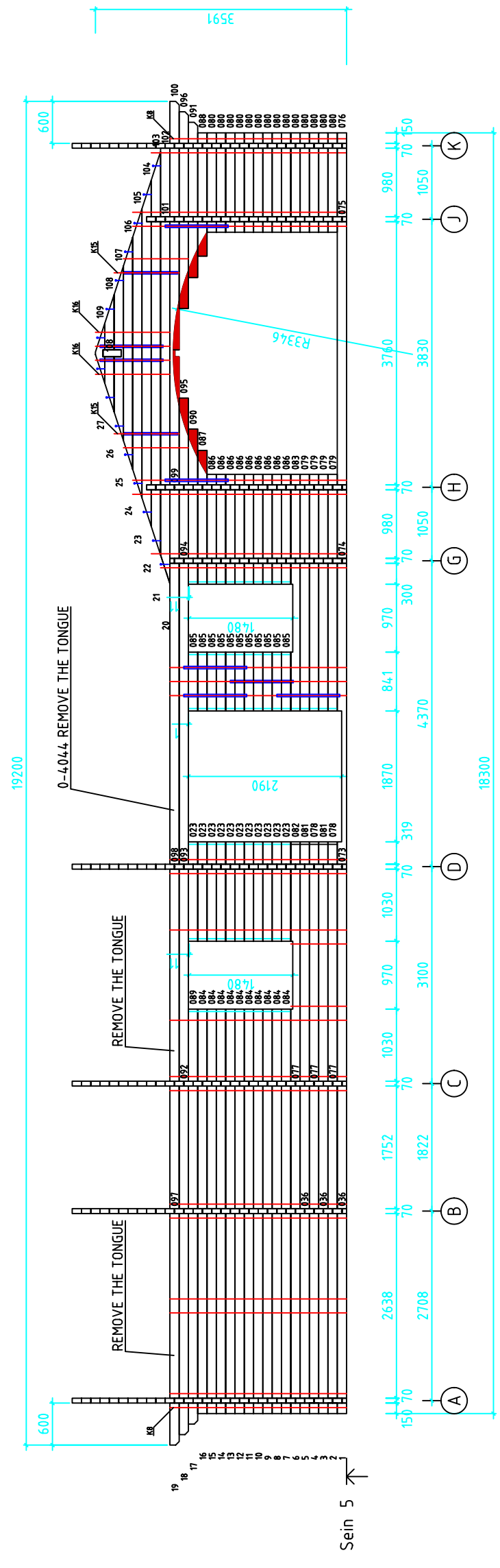
Kood	Leht	6.2.3
Joonis	Mootkava	1:75
Materjal	Kuup.	04.02.2011
Jonestas	A.Rebane	File
		RICHARD FAULDS.dwg



1 – Scew 6x100  
 — Pipe

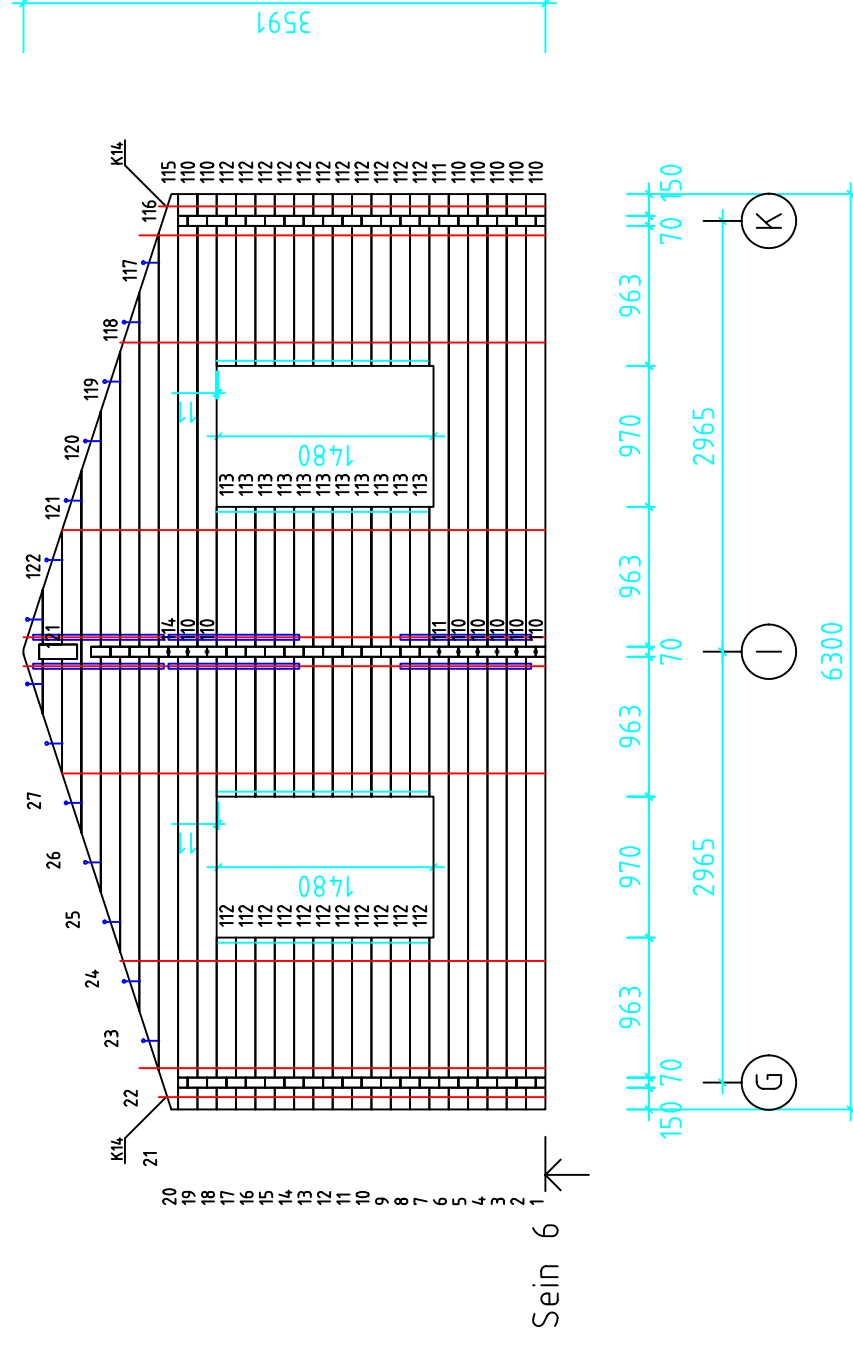
Kood	Leht	6.2.4
Joonis	Mootkava	1:75
Materjal	Kuup.	04.02.2011
Joonestaj	A.Rebane	File
		RICHARD FAULDS.dwg





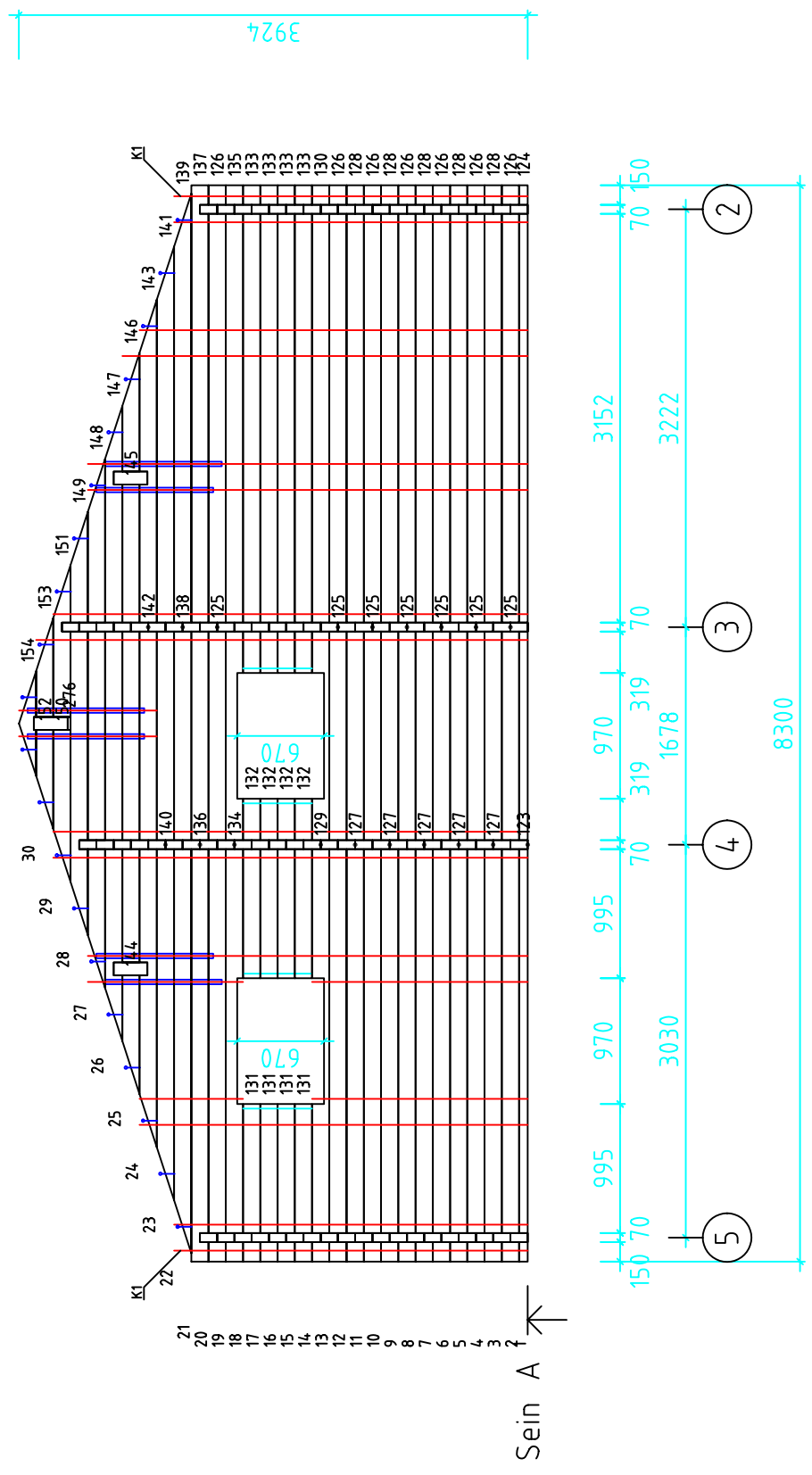
I - Scrow 6x100  
 --- Pipe

Kood	Leht	6.2.5
Joonis	Moorkava	SEIN 5 1:75
Materjal	Kuup.	70x133 04.02.2011
Joonistas	A.Rebane	File RICHARD FAULDS.dwg



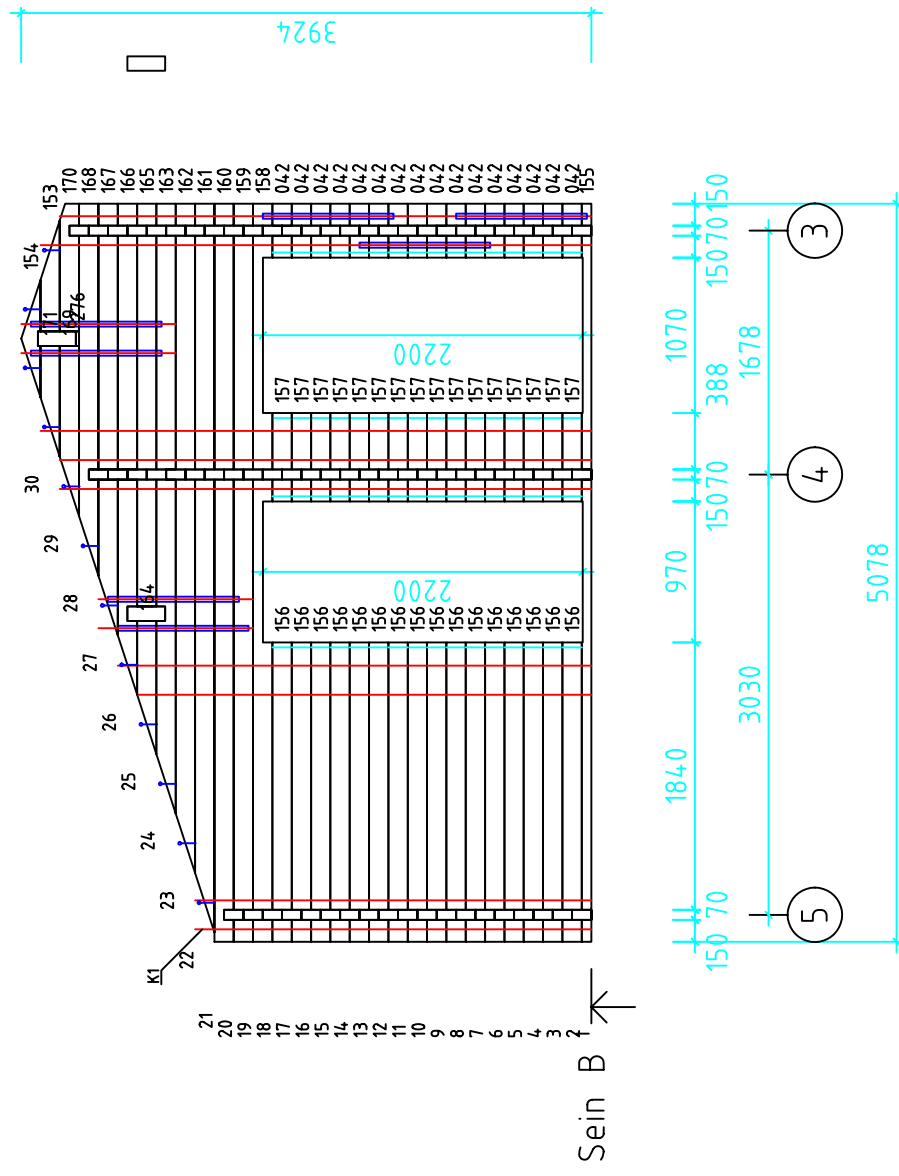
I – Scew 6x100  
 — Pipe

Kood	Leht	6.2.6
Joonis	SEIN 6	Mootkava 1:75
Materjal	70x133	Kuup. 04.02.2011
Joonestas	A.Rebane	File RICHARD FAULDS.dwg



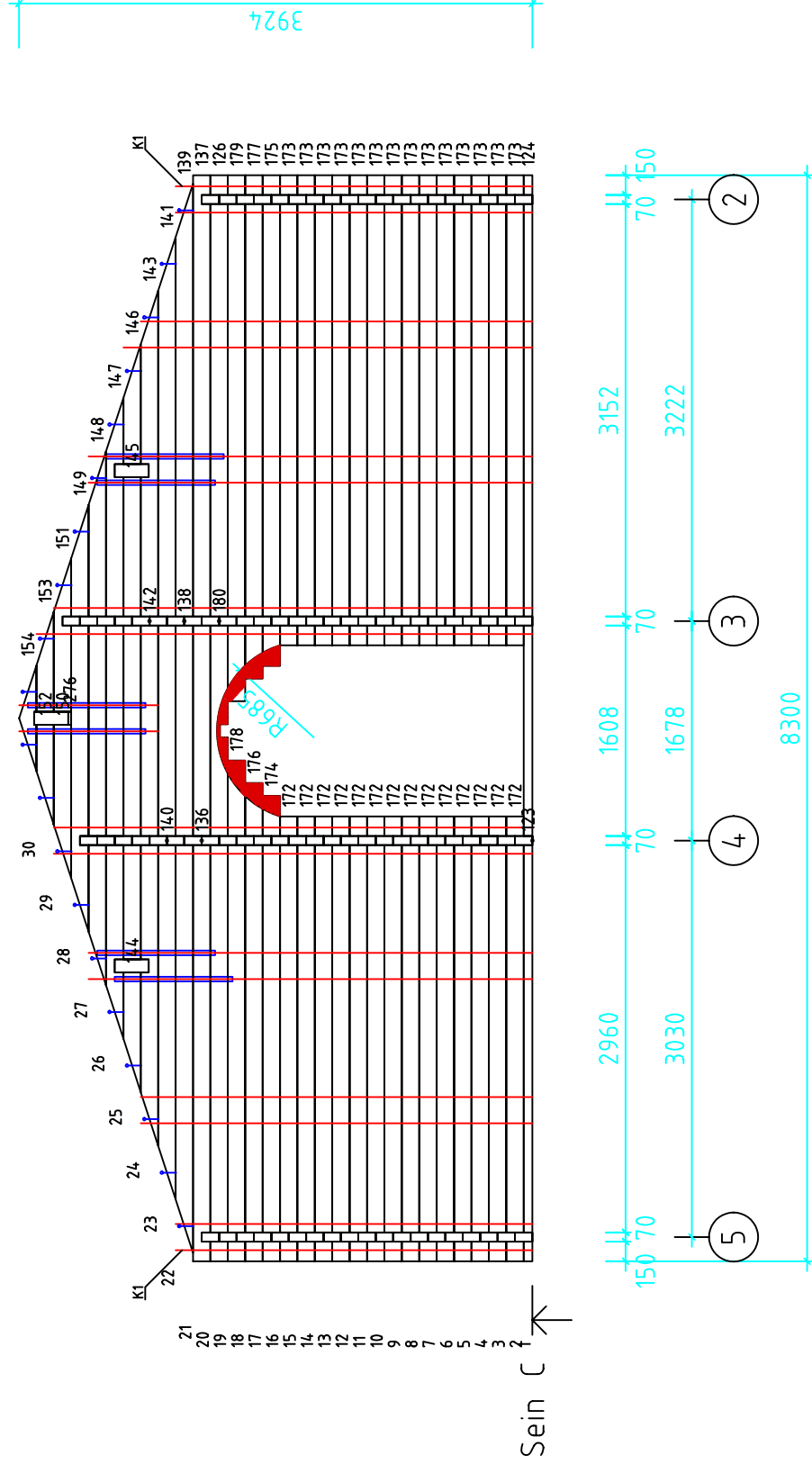
1 - Scew 6x100  
 --- Pipe

Kood	Leht	6.2.7
Joonis	SEIN A	Mootkava 1:75
Materjal	70x133	Kuup. 04.02.2011
Joonestas	A.Rebane	File RICHARD FAULDS.dwg



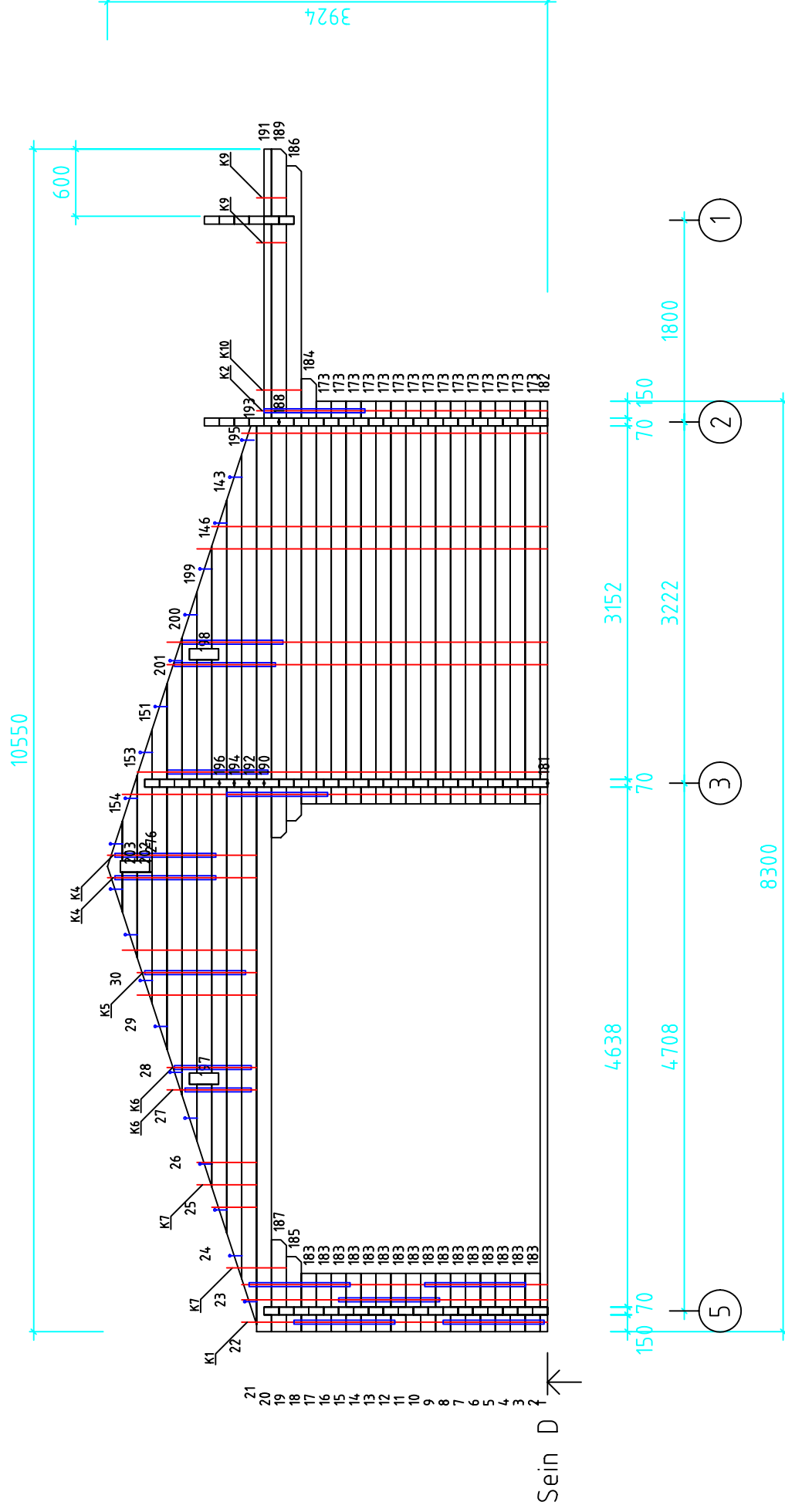
1 - Scew 6x100  
 --- Pipe


Kood	Leht	6.2.8
Joonis	SEIN B	Mootkava 1:75
Materjal	70x133	Kuup. 04.02.2011
Joonestas	A.Rebane	File RICHARD FAULDS.dwg



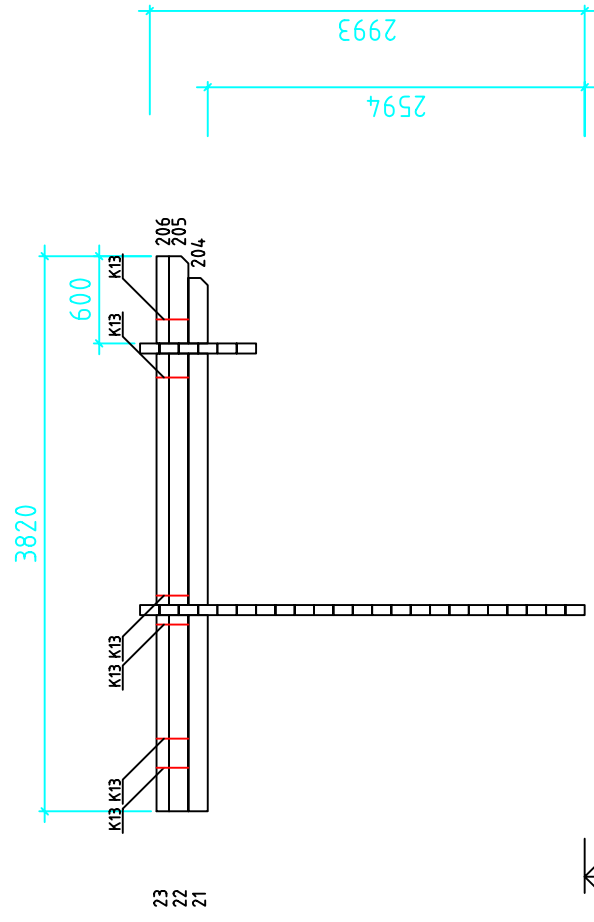
1 – Scew 6x100  
 — Pipe

Kood	Leht	6.2.9
Joonis	Mootkava	1:75
Materjal	Kuup.	04.02.2011
Joonestas	File	RICHARD FAULDS.dwg

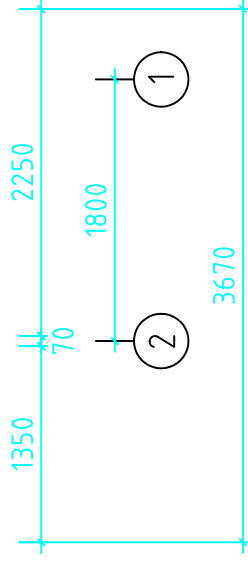


1 – Scew 6x100  
 – Pipe

Kood	Leht	6.2.10
Joonis	Mootkava	1:75
Materjal	Kuup.	04.02.2011
Joonestas	A.Rebane	File
		RICHARD FAULDS.dwg

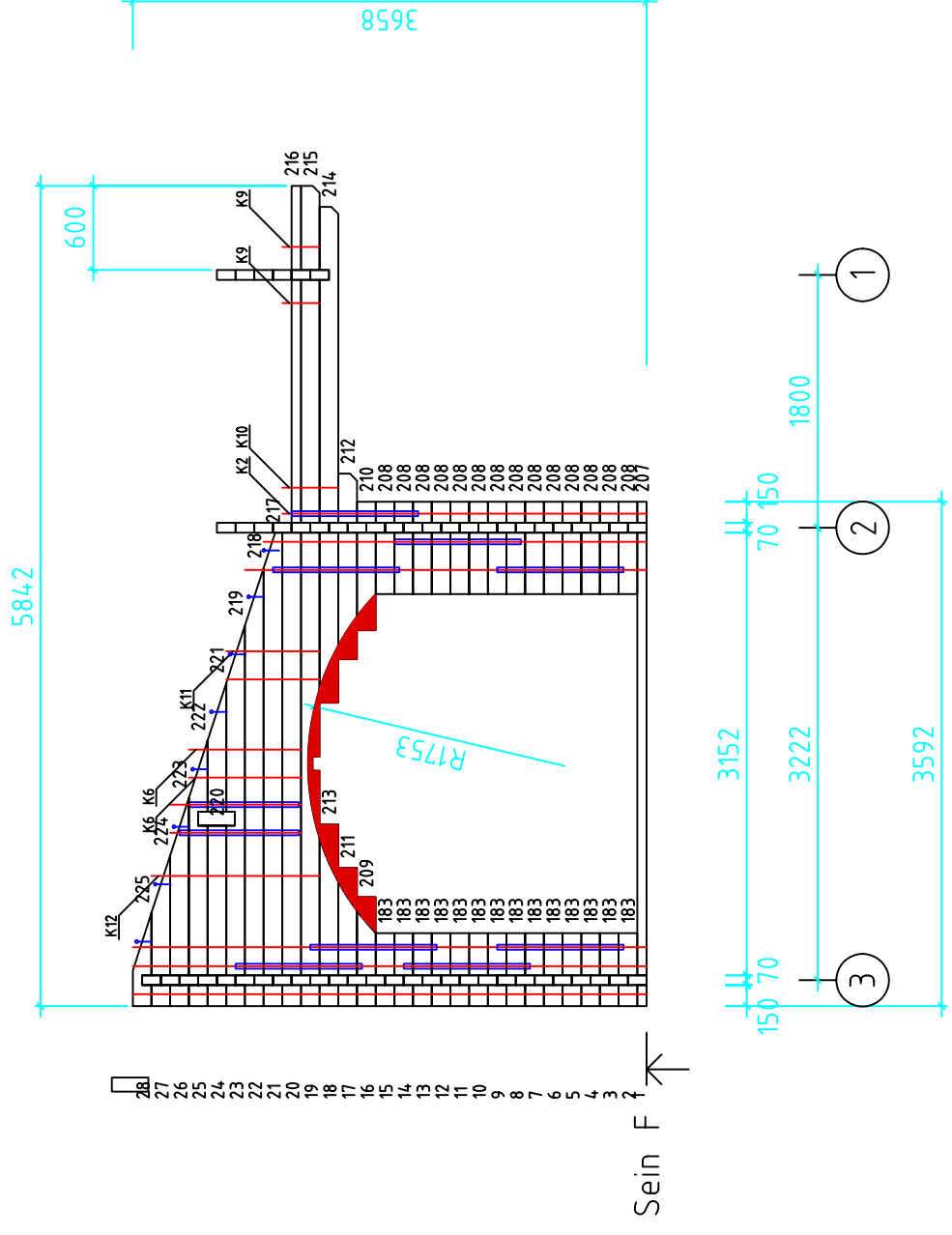



Sein E ↗



1 – Scrow 6x100  
 Pipe

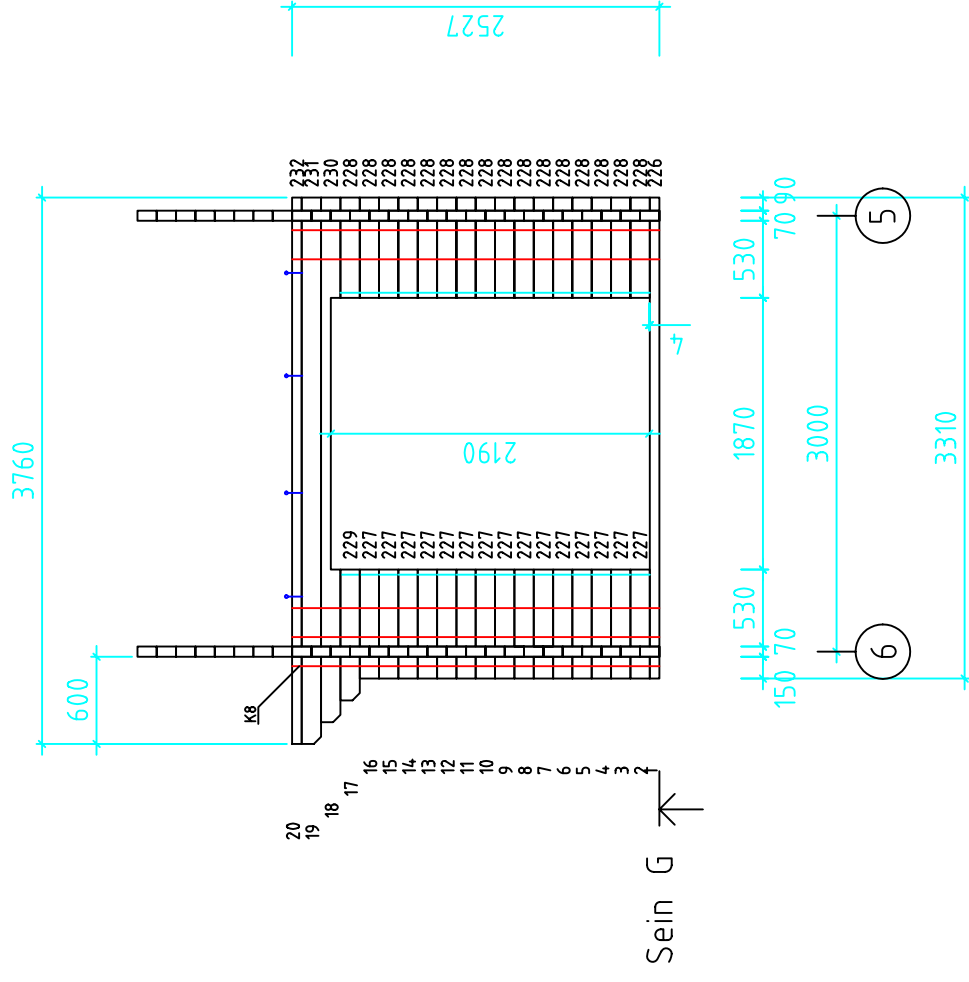
Kood	Leht	6.2.11
Joonis	SEIN E	Mootkava 1:75
Materjal	70x133	Kuup. 04.02.2011
Joonestaj	A.Rebane	File RICHARD FAULDS.dwg



1 – Scrow 6x100  
 Pipe

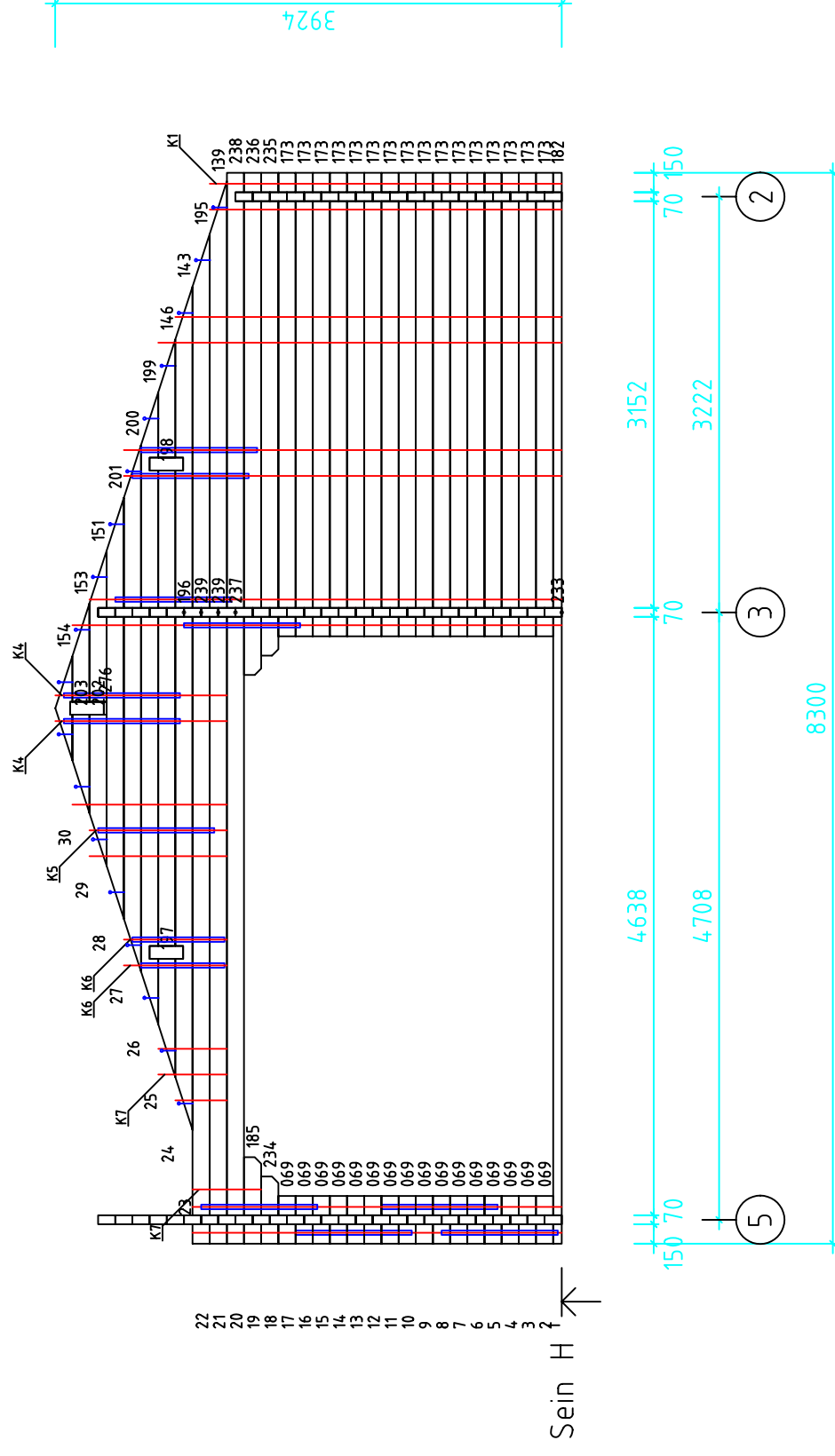
Kood	Leht	6.2.12
Joonis	SEIN F	Mootkava 1:75
Materjal	70x133	Kuup. 04.02.2011
Joonestaj	A.Rebane	File RICHARD FAULDS.dwg





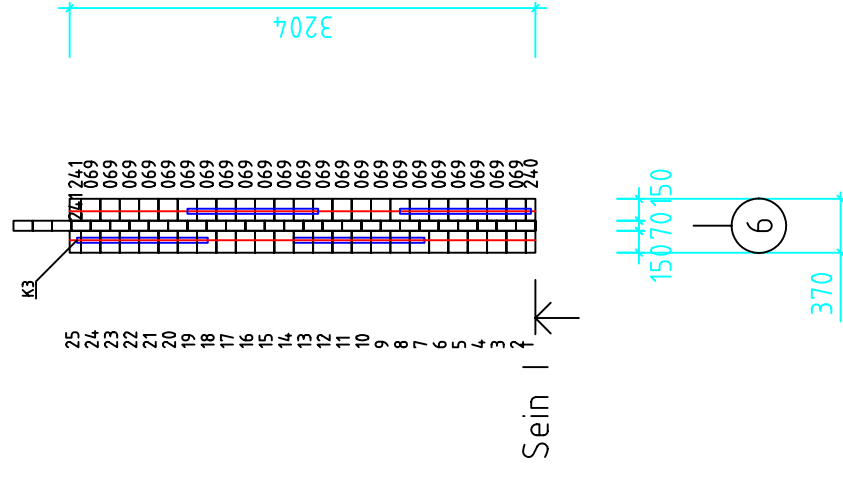
1 – Scew 6x100  
 – Pipe

Kood	Leht	6.2.13
Joonis	Mootkava	1:75
Materjal	Kuup.	04.02.2011
Joonestas	A.Rebane	File
		RICHARD FAULDS.dwg



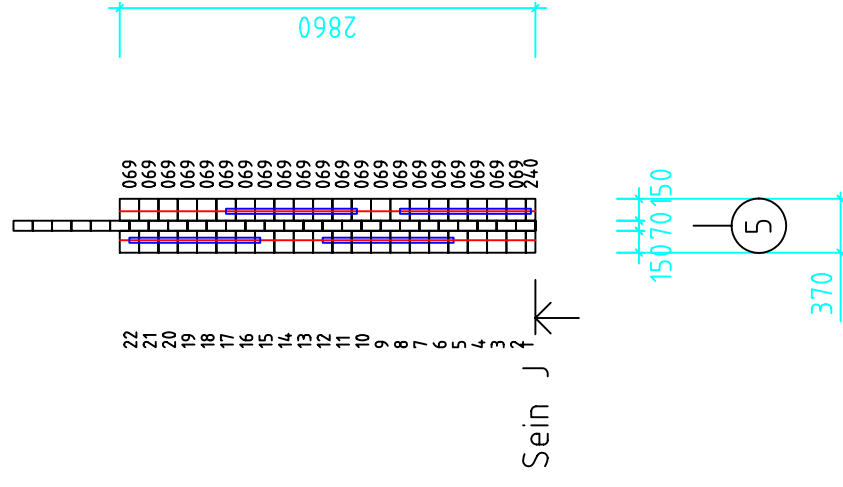
1 - Scew 6x100  
 --- Pipe

Kood	Leht	6.2.14
Joonis	SEIN H	Mootkava 1:75
Materjal	70x133	Kuup. 04.02.2011
Joonestas	A.Rebane	File RICHARD FAULDS.dwg



1 – Scew 6x100  
 — Pipe

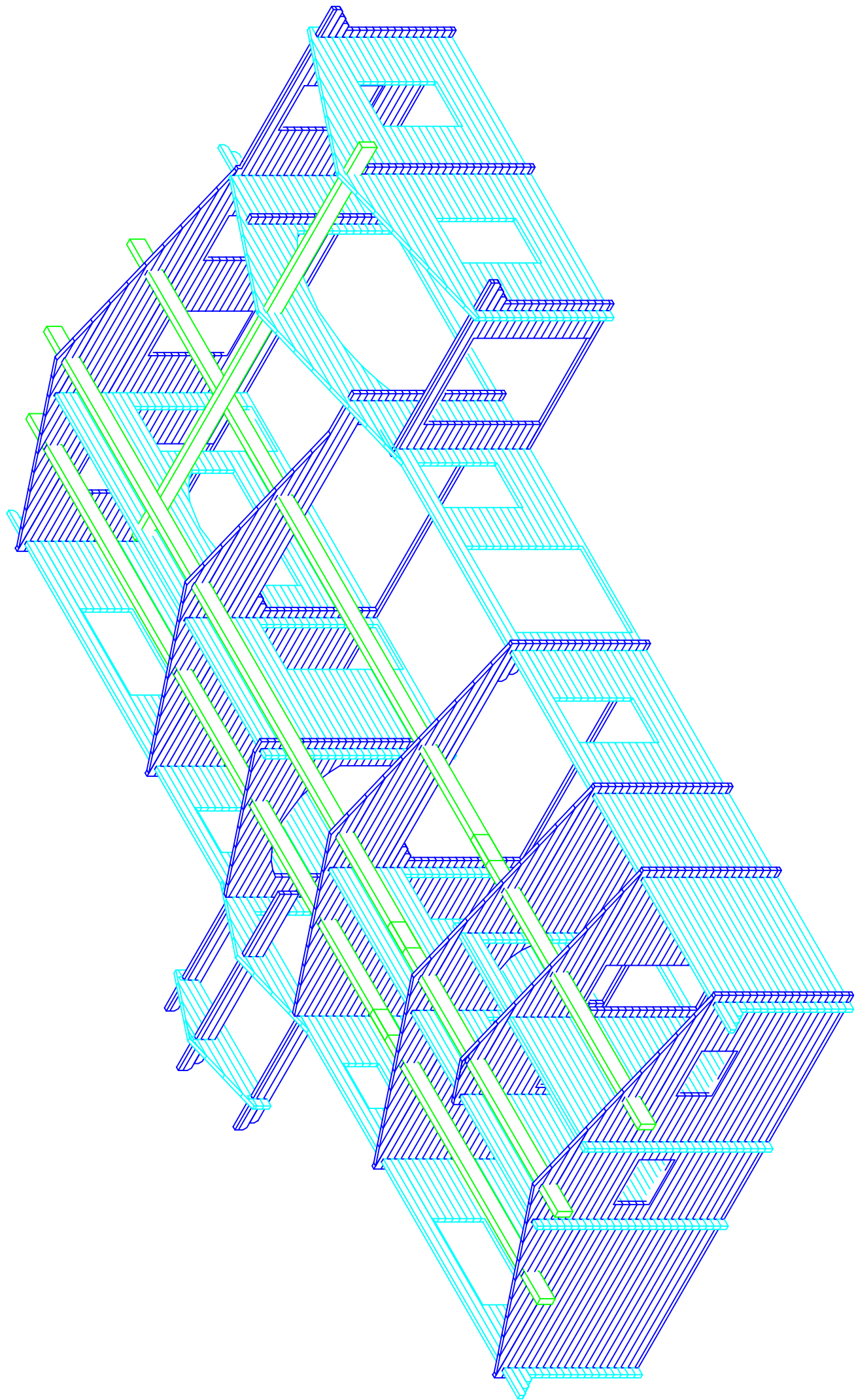
Kood	Leht	6.2.15
Joonis	Mootkava	SEIN I 1:75
Materjal	Kuup.	70x133 04.02.2011
Joonestas	A.Rebane	File
		RICHARD FAULDS.dwg

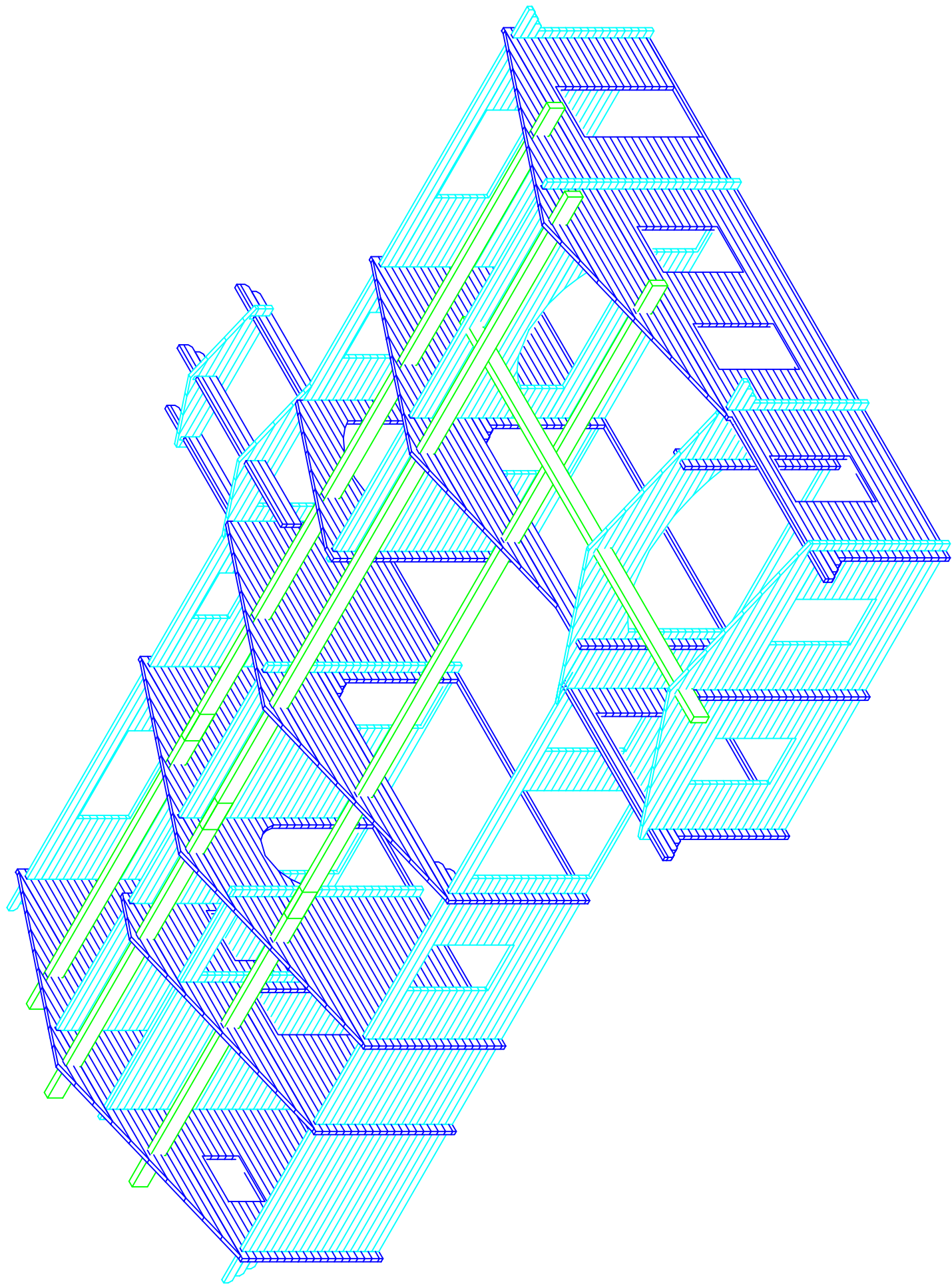


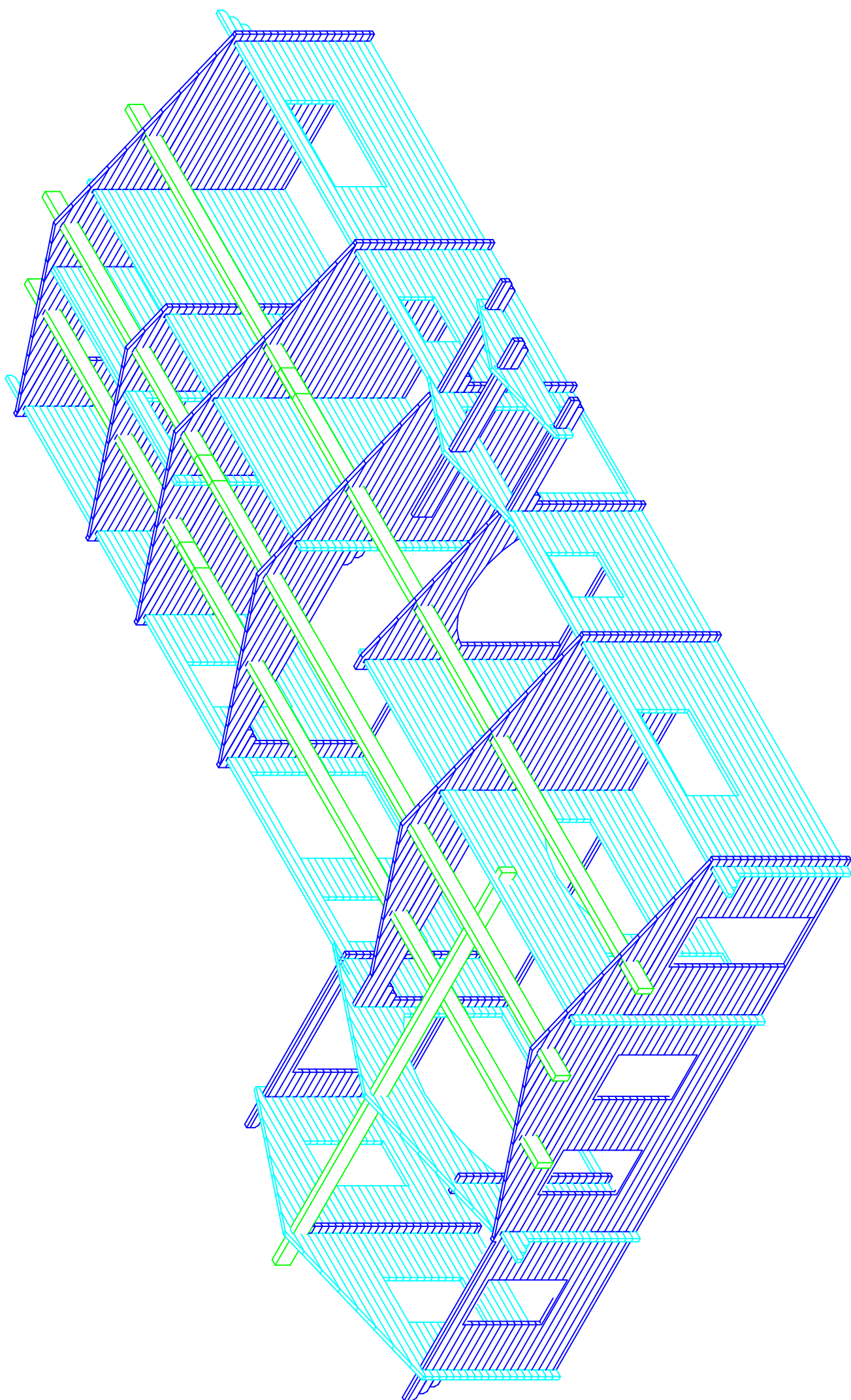
1 – Scew 6x100  
 — Pipe

Kood	Leht	6.2.16
Joonis	SEIN J	Mootkava 1:75
Materjal	70x133	Kuup. 04.02.2011
Joonestas	A.Rebane	File RICHARD FAULDS.dwg

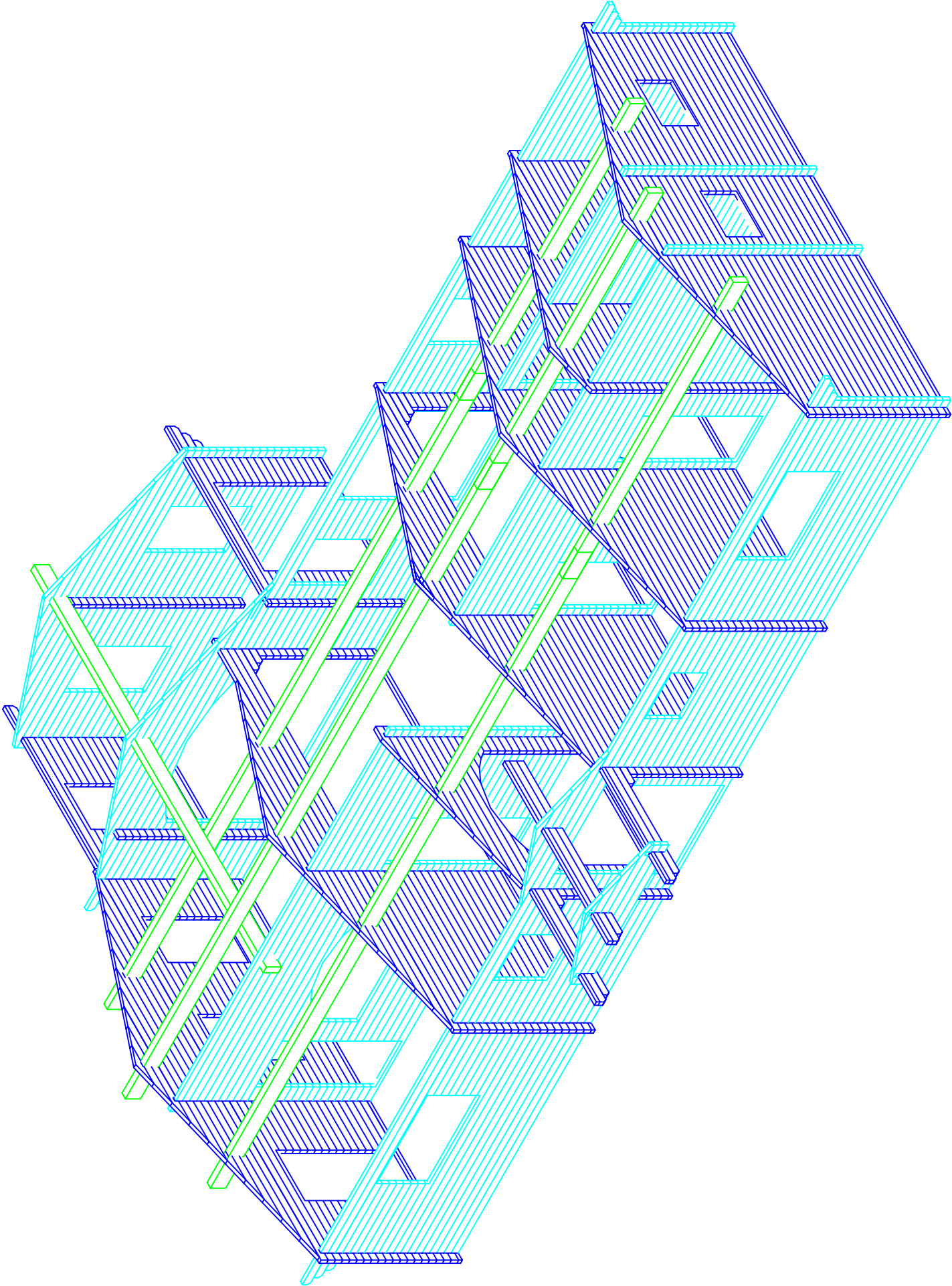




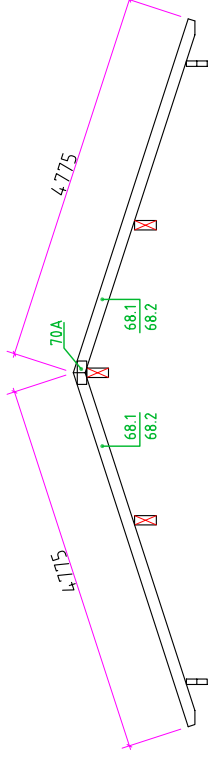
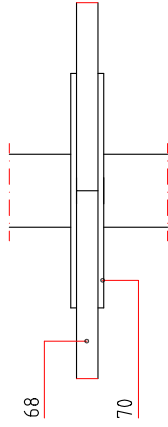
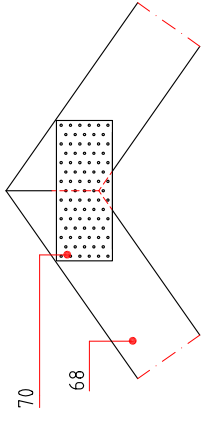




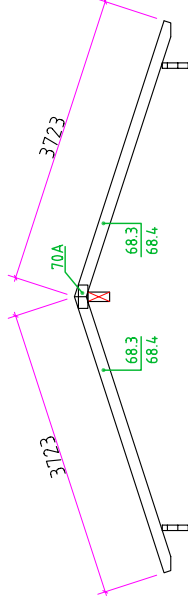




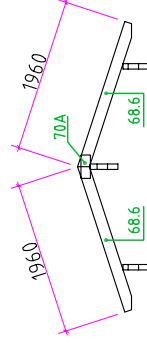




Metal fixator (140)



Metal fixator (140)



Metal fixator (140)

Name:

Name of material

68 Rafter 45x145mm

70 Perforated metalplate

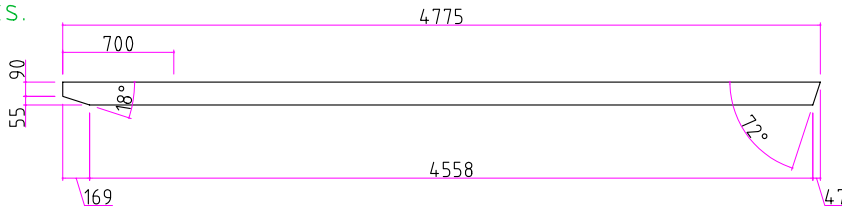
Architect:  
Alvar Rebane

# Detailconstruction

RPM Ltd Page:6.5.1 Scale: 1:100

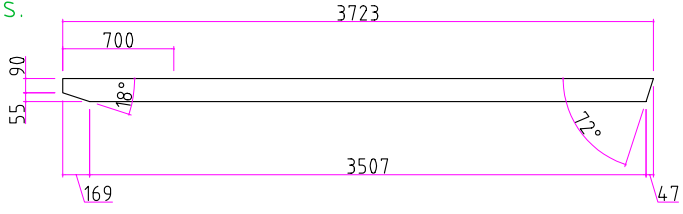
Richard Faulds

68.1 - 8pcs.  
68.2 - 68pcs.



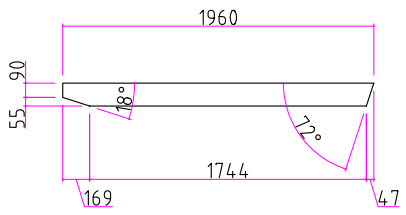
45x145

68.3 - 4pcs.  
68.4 - 18pcs.



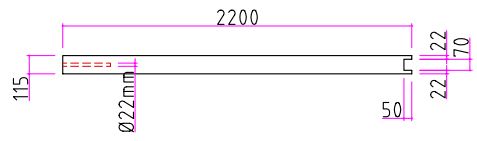
45x145

68.6 - 14pcs.



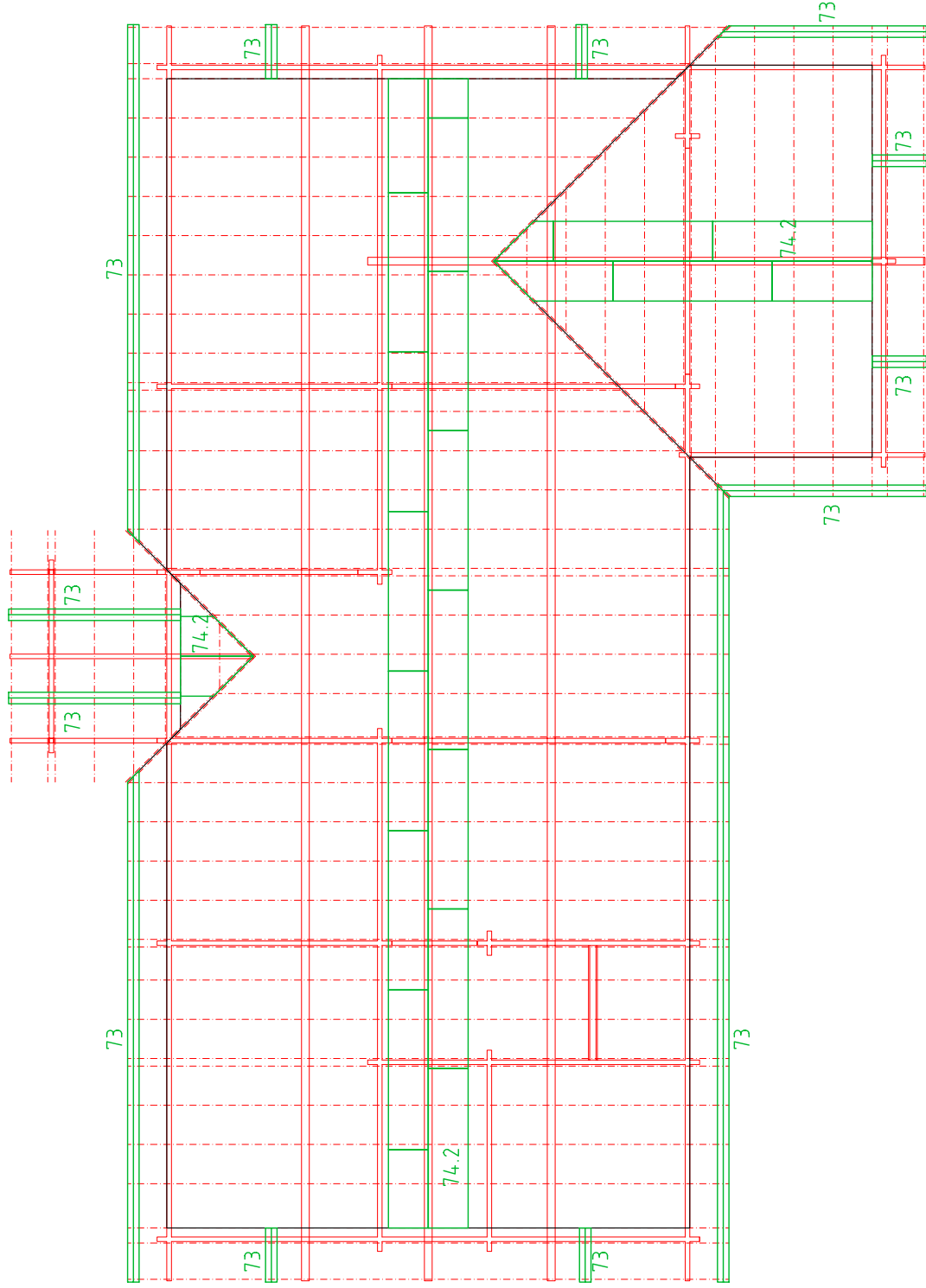
45x145

88.1 - 2pcs.



115x115

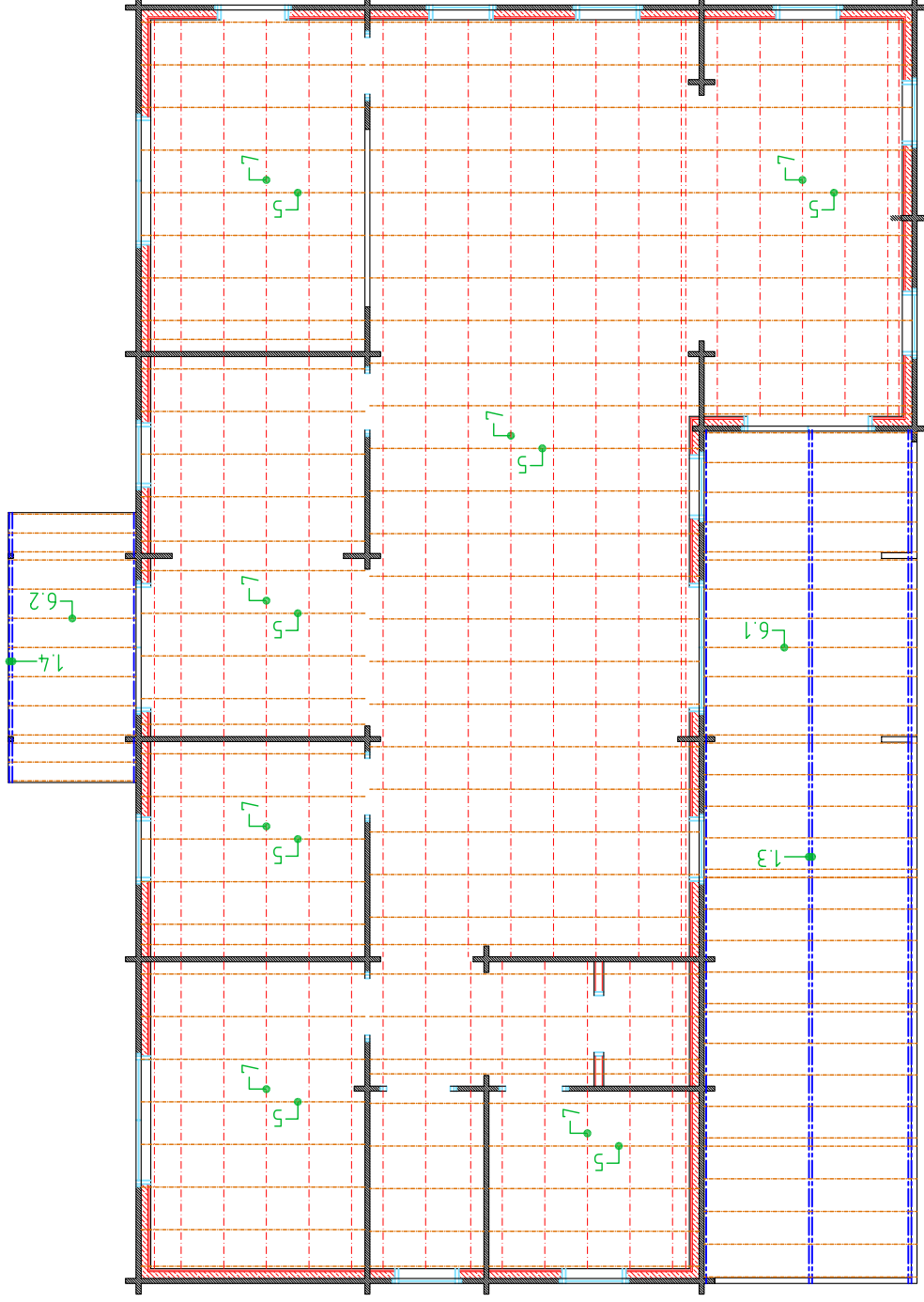




Roof board to be cut to the right length by erecting.

Pos. Nr.		Name of material		Name:		Architect:	
73		Visible roof board 18x86mm		Alvar Rebane		RPM Ltd	
74.2		DUERELIS 610x244.0x18		Sheet:6.6.1		Scale: 1:100	
! Specifications of materials are given on page 14.5							

## Roof board

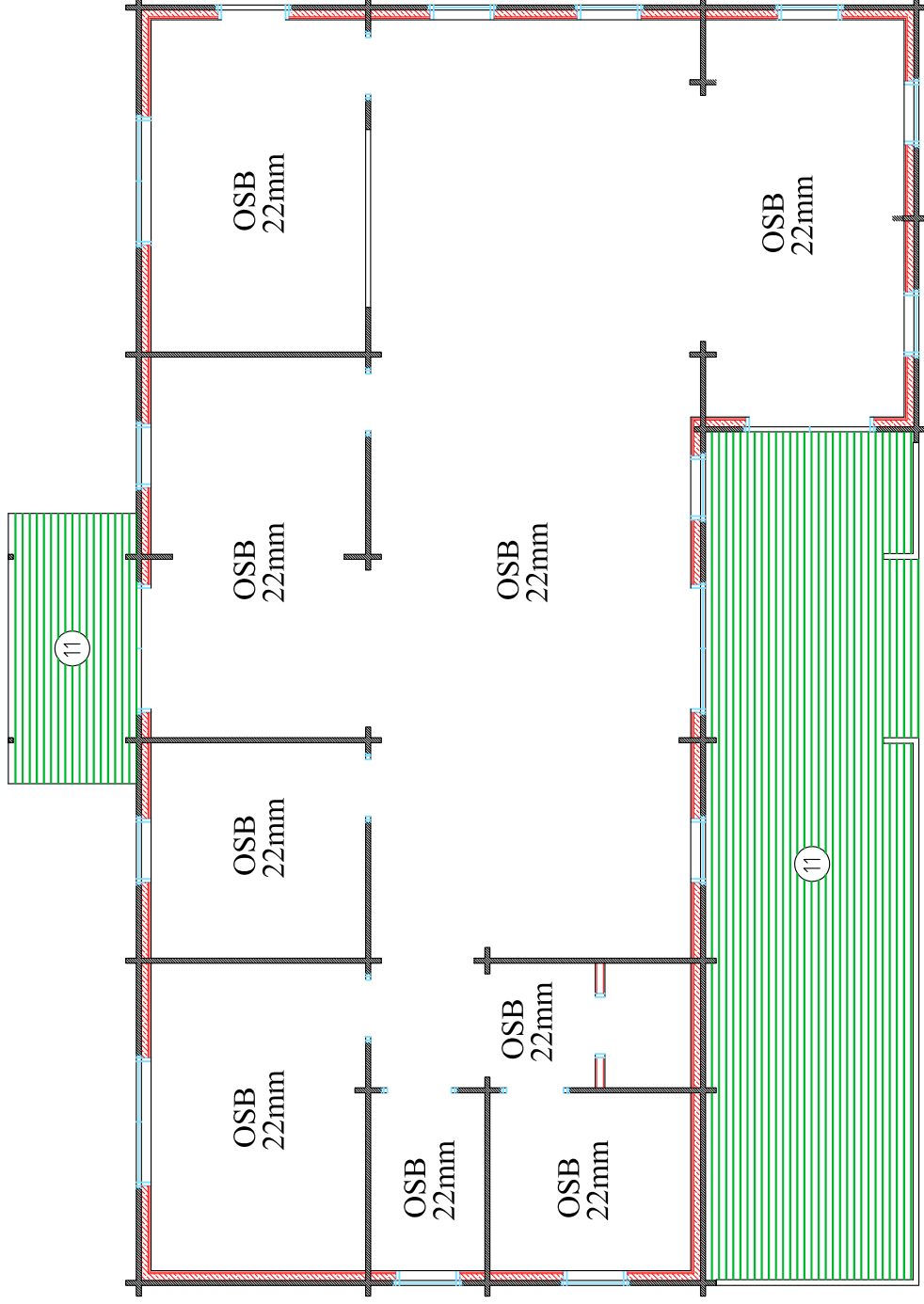


Floor beam to be cut to the right length by erecting.

Name:		Architect: Alvar Rebane	
Name of material		RPM Ltd	Sheet: 6.7
5	Floor beam of ground floor inside 45x145mm	Scale: 1:100	
6	Floor beam of ground floor outside 45x95mm		
7	Base board of ground floor 18x90mm		
! Specifications of materials are given on page 7.5			







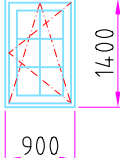
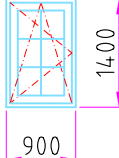
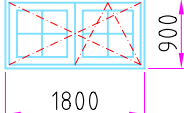
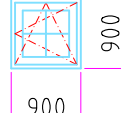
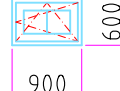

11 Floor board to be continued on the floor beam.  
 Floor board to be cut to the right length by erecting.

Pos. Nr.	Name of material	Architect: Alvar Rebane	
	10 Floor board 28x112mm	RPM Ltd	Sheet:6.8
11	Terrace floor board 28x95mm	Scale: 1:100	
! Specifications of materials are given on page 7.5			

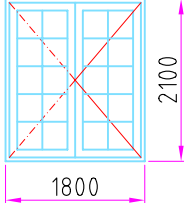
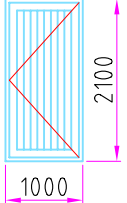

Floor boards of ground floor



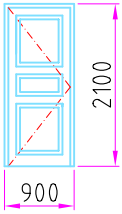
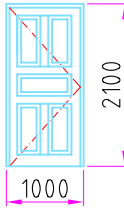
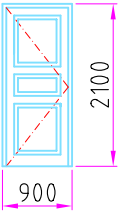
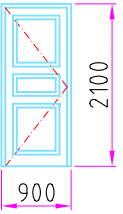
# Specification of windows

1							Window description					
2	A1	5	A2	2	A3	2	A4	1	A5	3	Marking (A)	Amount (pcs)
3	DK		DK		DK		DK		DK		<input checked="" type="checkbox"/> Opening type	
4	210		210		210		210		210		Jamb + jamb extension	
5	TEAK		TEAK		TEAK		TEAK		TEAK		Finishing	
6	Double toughened		Double toughened		Double toughened		Double toughened		Double toughened		Glass	
7	U=1.4		U=1.4		U=1.4		U=1.4		U=1.4		Sealed glazing unit	
8	Removable bars		Removable bars		Removable bars		Removable bars		Removable bars		<input checked="" type="checkbox"/> Dividing	
9	HOPE handles		HOPE handles		HOPE handles		HOPE handles		HOPE handles		Handle	
10	Biobe		Biobe		Biobe		Biobe		Biobe		Ventilation	
11	-	-	-	-	-	-	-	-	-	-	Shutters	Insect screen
12	Brown		Brown		Brown		Brown		Brown		Water drip	
13	Brown		Brown		Brown		Brown		Brown		Sheet steel below window	
14	THUMB RELEASE Furniture finish - - BRUSHED ALLOY		THUMB RELEASE Furniture finish - - BRUSHED ALLOY		THUMB RELEASE Furniture finish - - BRUSHED ALLOY		THUMB RELEASE Furniture finish - - BRUSHED ALLOY		THUMB RELEASE Furniture finish - - BRUSHED ALLOY		Comments	
1												Window description
2											Marking (A)	Amount (pcs)
3											<input checked="" type="checkbox"/> Opening type	
4											Jamb + jamb extension	
5											Finishing	
6											Glass	
7											Sealed glazing unit	
8											<input checked="" type="checkbox"/> Dividing	
9											Handle	
10											Ventilation	
11											Shutters	Insect screen
12											Water drip	
13											Sheet steel below window	
14											Comments	
<input checked="" type="checkbox"/> Opening type D - turn inwards DK - tilt & turn inwards TA - turn outwards SASH - up and down sliding english window F - fixed					<input checked="" type="checkbox"/> Dividing Real bars - separate glazing units Bar frame - outside, on hinges Removable bars - fake bars outside, removable Glued bars - fake bars outside and inside, glued on					- View from opening sight - All measures in specification are given with jamb + jamb extension.		
 Kaseküla 14, 61504 Elva Estonia Tel: +372 735 6653 Fax: +372 745 7238 E-mail: info@rpmloghomes.com http://www.rpmloghomes.com										Object:  <b>RICHARD FAULDS</b>		Scale: <b>1:100</b>
										Page: <b>7.1</b>	Drawn by: <b>A.Rebane</b>	

# Specification of external doors

1							External door description
2	VU1	3	VU2	1			Marking (VU)   Amount (pcs)
3	TVU-52		VU-1				⊗ Type
4	210		210				Jamb + jamb extension
5	Out/Right		Out/Right				Opening
6	TEAK		TEAK				Finishing
7	Toughened		-				Glass
8	U=1.4		-				Sealed glazing unit
9	-		-				⊗ Dividing
10	ASSA FIRE EXIT LOCK						Handle
11	Furniture finish - BRUSHED ALLOY						Lock
12							Cylinder
13	DISABLED		DISABLED				Door sill
14	Entrance & Fire Exit Geze door closure		Entrance & Fire Exit Geze door closure				Comments
							External door description
2							Marking (VU)   Amount (pcs)
3							⊗ Type
4							Jamb + jamb extension
5							Opening
6							Finishing
7							Glass
8							Sealed glazing unit
9							⊗ Dividing
10							Handle
11							Lock
12							Cylinder
13							Door sill
14							Comments
⊗ Type		⊗ Dividing				- View from opening sight - All measures in specification are given with jamb + jamb extension.	
Flush door (outwards) Danish door (outwards) German door (inwards) Classical door (outwards)		Real bars - separate glazing units Bar frame - outside, on hinges Removable bars - fake bars outside, removable Glued bars - fake bars outside and inside, glued on					
		Kaseküla 14, 61504 Elva Estonia Tel: +372 735 6653 Fax: +372 745 7238 E-mail: info@rpmloghomes.com http://www.rpmloghomes.com		Object:		Scale: <b>1:100</b> Page: <b>7.3</b> Drawn by: <b>A.Rebane</b>	
<b>RICHARD FAULDS</b>							

# Specification of internal doors

1						Internal door description							
2	SU1	2	SU2	1	SU3	1	SU4	2	SU5	1	Marking (SU)	Amount (pcs)	
3	PRIIT		PRIIT		EINAR		PRIIT		PRIIT		☒ Type		
4	72		72		72		72		139		Jamb + jamb extension		
5	Right		Left		Left		Left		Left		Opening		
6	leaf - VARNISHED frame - TEAK		leaf - VARNISHED frame - TEAK		leaf - VARNISHED frame - TEAK		leaf - VARNISHED frame - TEAK		leaf - VARNISHED frame - TEAK		Finishing		
7	-		-		-		-		-		Glass		
8	Mandelli S81		Mandelli S81		ASSA 6647		Mandelli S81		Mandelli S81		Handle		
9	ASSA		ASSA		Disabled WC lock		WC lock		ASSA		Lock		
10	-		-		-		-		-		Door sill		
11	-		-		-		-		-		Door stop		
12	Furniture finish - - BRUSHED ALLOY		Furniture finish - - BRUSHED ALLOY		OPENING INWARDS Furniture finish - - BRUSHED ALLOY		LIBLIKAS HINGEDE POOL Furniture finish - - BRUSHED ALLOY Geze door closure		Furniture finish - - BRUSHED ALLOY		Comments		
1											Internaldoor description		
2											Marking (SU)	Amount (pcs)	
3											☒ Type		
4											Jamb + jamb extension		
5											Opening		
6											Finishing		
7											Glass		
8											Handle		
9											Lock		
10											Door sill		
11											Door stop		
12											Comments		
☒ Type								Panel door		Flush door		- View from opening sight - All measures in specification are given with jamb + jamb extension.	

# Specification of boundary slats for windows (A, RU)

▣Dimensions are given with a little reserve !

Marking of windows	Amount of windows (pcs)	Width of windows C (mm)	Height of windows D (mm)	Position no.	Length (mm)	External (pcs)	Internal (pcs)	Comment
1	2	3	4	5	6	7	8	9
A1	5	900	1400	100.1	1500	5	5	Angles will be cut on building site !
				101.1	1700	10	10	
				102.1▣	1200	5	5	
				103.1	1500	5	-	
A2	2	900	1400	100.2	1500	2	2	
				101.2	1700	4	4	
				102.2▣	1200	2	2	
				103.2	1500	2	-	
A3	2	1800	900	100.3	2400	2	2	
				101.3	1200	4	4	
				102.3▣	2100	2	2	
				103.3	2400	2	-	
A4	1	900	900	100.4	1500	1	1	
				101.4	1200	2	2	
				102.4▣	1200	1	1	
				103.4	1500	1	-	
A5	3	900	600	100.5	1500	3	3	
				101.5	900	6	6	
				102.5▣	1200	3	3	
				103.5	1500	3	-	
				100.6	0	0	0	
				101.6	0	0	0	
				102.6▣	0	0	0	
				103.6	0	0	-	
				100.7	0	0	0	
				101.7	0	0	0	
				102.7▣	0	0	0	
				103.7	0	0	-	
				100.8	0	0	0	
				101.8	0	0	0	
				102.8▣	0	0	0	
				103.8	0	0	-	

Marking of windows	Amount of windows (pcs)	Width of windows C (mm)	Height of windows D (mm)	Position no.	Length (mm)	External (pcs)	Internal (pcs)	Comment
1	2	3	4	5	6	7	8	9
				100.9	0	0	0	Angles will be cut on building site !
				101.9	0	0	0	
				102.9▣	0	0	0	
				103.9	0	0	-	
				100.10	0	0	0	
				101.10	0	0	0	
				102.10▣	0	0	0	
				103.10	0	0	-	
				100.11	0	0	0	
				101.11	0	0	0	
				102.11▣	0	0	0	
				103.11	0	0	-	
				100.12	0	0	0	
				101.12	0	0	0	
				102.12▣	0	0	0	
				103.12	0	0	-	
				100.13	0	0	0	
				101.13	0	0	0	
				102.13▣	0	0	0	
				103.13	0	0	-	
				100.14	0	0	0	
				101.14	0	0	0	
				102.14▣	0	0	0	
				103.14	0	0	-	
				100.15	0	0	0	
				101.15	0	0	0	
				102.15▣	0	0	0	
				103.15	0	0	-	
				100.16	0	0	0	
				101.16	0	0	0	
				102.16▣	0	0	0	
				103.16	0	0	-	

**PROFIL**

External (mm)	21	x	120
Internal (mm)	21	x	120
103 (mm)	21	x	140

Total volume (m <sup>3</sup> )	0,441
Akende pindala (m <sup>2</sup> )	14,5
Kokku (M)	171,50

## Specification of boundary slats for external doors (VU)

▣Dimensions are given with a little reserve !

Marking of doors	Amount of doors (pcs)	Door width C (mm)	Door height D (mm)	Position no.	Length (mm)	External (pcs)	Internal (pcs)	Comment
1	2	3	4	5	6	7		9
VU1	3	1800	2100	104.1	2400	3	3	Angles will be cut on building site !
				105.1	2400	6	6	
				106.1	2400	3	-	
VU2	1	1000	2100	104.2	1600	1	1	
				105.2	2400	2	2	
				106.2	1600	1	-	
				104.3	0	0	0	
				105.3	0	0	0	
				106.3	0	0	-	
				104.4	0	0	0	
				105.4	0	0	0	
				106.4	0	0	-	
				104.5	0	0	0	
				105.5	0	0	0	
				106.5	0	0	-	
				104.6	0	0	0	
				105.6	0	0	0	
				106.6	0	0	-	
				104.7	0	0	0	
				105.7	0	0	0	
				106.7	0	0	-	
				104.8	0	0	0	
				105.8	0	0	0	
				106.8	0	0	-	

Marking of doors	Amount of doors (pcs)	Door width C (mm)	Door height D (mm)	Position no.	Length (mm)	External (pcs)	Internal (pcs)	Comment
1	2	3	4	5	6	7		9
				104.9	0	0	0	Angles will be cut on building site !
				105.9	0	0	0	
				106.9	0	0	-	
				104.10	0	0	0	
				105.10	0	0	0	
				106.10	0	0	-	
				104.11	0	0	0	
				105.11	0	0	0	
				106.11	0	0	-	
				104.12	0	0	0	
				105.12	0	0	0	
				106.12	0	0	-	
				104.13	0	0	0	
				105.13	0	0	0	
				106.13	0	0	-	
				104.14	0	0	0	
				105.14	0	0	0	
				106.14	0	0	-	
				104.15	0	0	0	
				105.15	0	0	0	
				106.15	0	0	-	
				104.16	0	0	0	
				105.16	0	0	0	
				106.16	0	0	-	

**PROFIL**

External (mm)                    21    x    120

Internal (mm)                    21    x    120

106 (mm)                         21    x    140

Total volume                    **0,167**

Välisuste pindala (m<sup>2</sup>)           **13,4**

Kokku (M)                         64,80

# Specification of boundary slats for internal doors (SU)

▫Dimensions are given with a little reserve !

Marking of doors	Amount of doors (pcs)	Door width C (mm)	Door height D (mm)	Position no.	Length (mm)	Amount (pcs)	Volume (m³)	Comment
1	2	3	4	5	6	7	8	9
SU1,2,4,5	6	900	2100	104.1	1500	12	0,045	Angles will be cut on building site !
				105.1	2400	24	0,145	
				106.1	0	0	0,000	
SU2	1	1000	2100	104.2	1600	2	0,008	
				105.2	2400	4	0,024	
				106.2	0	0	0,000	
				104.3	0	0	0,000	
				105.3	0	0	0,000	
				106.3	0	0	0,000	
				104.4	0	0	0,000	
				105.4	0	0	0,000	
				106.4	0	0	0,000	
				104.5	0	0	0,000	
				105.5	0	0	0,000	
				106.5	0	0	0,000	
				104.6	0	0	0,000	
				105.6	0	0	0,000	
				106.6	0	0	0,000	
				104.7	0	0	0,000	
				105.7	0	0	0,000	
				106.7	0	0	0,000	
				104.8	0	0	0,000	
				105.8	0	0	0,000	
				106.8	0	0	0,000	

Marking of doors	Amount of doors (pcs)	Door width C (mm)	Door height D (mm)	Position no.	Length (mm)	Amount (pcs)	Volume (m³)	Comment
1	2	3	4	5	6	7	8	9
				104.9	0	0	0,000	Angles will be cut on building site !
				105.9	0	0	0,000	
				106.9	0	0	0,000	
				104.10	0	0	0,000	
				105.10	0	0	0,000	
				106.10	0	0	0,000	
				104.11	0	0	0,000	
				105.11	0	0	0,000	
				106.11	0	0	0,000	
				104.12	0	0	0,000	
				105.12	0	0	0,000	
				106.12	0	0	0,000	
				104.13	0	0	0,000	
				105.13	0	0	0,000	
				106.13	0	0	0,000	
				104.14	0	0	0,000	
				105.14	0	0	0,000	
				106.14	0	0	0,000	
				104.15	0	0	0,000	
				105.15	0	0	0,000	
				106.15	0	0	0,000	
				104.16	0	0	0,000	
				105.16	0	0	0,000	
				106.16	0	0	0,000	

**PROFIIL**

Dimensions (mm)	<b>21</b>	<b>x</b>	<b>120</b>
106 (mm)	<b>0</b>	<b>x</b>	<b>0</b>
Total volume	<b>0,223</b>		
Siseuste pindala (m²)	<b>13,4</b>		
Kokku (M)	88,40		



## Specifications of materials

JM- lenght of material shown in spec. varies

Pos.no.-s	Comments, only for RPM	Dimensions (mm)		Measure/ length (m)	Amount (pcs)	Volume (m³)	Meters(m)	
1	2	3	x	4	5	6	7	8
<b>0 Rectangular log</b>								
		70	x	133	0	Lahtijoonestus		2301
<b>1 Floor joist</b>								
1.1	Impregnated, inside the house	JM	45	x	145	0,000	0	0,000 0
1.2	Impregnated, inside the house	JM	45	x	145	0,000	0	0,000 0
1.3	Impregnated, for terrace	JM	45	x	145	6,000	11	0,431 66
1.4	Impregnated, for terrace	JM	45	x	145	3,800	3	0,074 11,4
Some materials will be cut into right size at the site						<b>0,505</b>		<b>77,4</b>
<b>4 Sockel</b>								
4.1	Impregnated		45	x	95	3,209	5	0,069 16,045
4.2	Impregnated		45	x	95	4,696	2	0,040 9,392
4.3	Impregnated		45	x	95	4,423	3	0,057 13,269
4.4	Impregnated		45	x	95	5,100	3	0,065 15,3
4.5	Impregnated		45	x	95	2,922	1	0,012 2,922
4.6	Impregnated		45	x	95	1,583	1	0,007 1,583
4.7	Impregnated		45	x	95	0,200	8	0,007 1,6
4.8	Impregnated		45	x	95	3,005	2	0,026 6,01
4.9	Impregnated		45	x	95	2,750	1	0,012 2,75
4.10	Impregnated		45	x	95	5,325	1	0,023 5,325
4.11	Impregnated		45	x	95	3,114	1	0,013 3,114
4.12	Impregnated		45	x	95	2,842	1	0,012 2,842
4.13	Impregnated		45	x	95	4,772	1	0,020 4,772
4.14	Impregnated		45	x	95	4,601	1	0,020 4,601
4.15	Impregnated		45	x	95	3,000	2	0,026 6
4.16	Impregnated		45	x	95	5,810	1	0,025 5,81
4.17	Impregnated		45	x	95	0,400	1	0,002 0,4
4.18	Impregnated		45	x	95	5,188	1	0,022 5,188
4.19	Impregnated		45	x	95	0,500	1	0,002 0,5
Some materials will be cut into right size at the site						<b>0,459</b>		<b>107,4</b>

<b>5 Floor beam of ground floor inside</b>									
5.1		JM	45	x	95	<b>6,000</b>	<b>57</b>	1,462	342
5.2		JM	45	x	95	<b>0,000</b>	<b>0</b>	0,000	0
5.3		JM	45	x	95	<b>0,000</b>	<b>0</b>	0,000	0
Some materials will be cut into right size at the site								<b>1,462</b>	<b>342</b>
<b>6 Floor beam of ground floor outside</b>									
6.1	Impregnated		45	x	95	<b>3,000</b>	<b>32</b>	0,410	96
6.2	Impregnated		45	x	95	<b>1,800</b>	<b>13</b>	0,100	23,4
6.3	Impregnated		45	x	95	<b>0,000</b>	<b>0</b>	0,000	0
Some materials will be cut into right size at the site								<b>0,510</b>	<b>119,4</b>
<b>7 Base board of ground floor</b>									
7.1	Impregnated	JM	18	x	86	<b>6,000</b>	<b>56</b>	0,520	336
7.2		JM	18	x	86	<b>0,000</b>	<b>0</b>	0,000	0
Some materials will be cut into right size at the site								<b>0,520</b>	<b>336</b>
<b>10 Floor board of ground floor</b>									
10.1	<b>OSB 22</b>		22	x	675	<b>2,500</b>	<b>104</b>	3,861	260
10.2		JM	0	x	0	<b>0,000</b>	<b>0</b>	0,000	0
10.3		JM	0	x	0	<b>0,000</b>	<b>0</b>	0,000	0
Some materials will be cut into right size at the site								<b>3,861</b>	<b>260</b>
<b>11 Terrace floor board</b>									
11.1	Impregnated	JM	28	x	95	<b>6,000</b>	<b>83</b>	1,325	498
11.2	Impregnated	JM	28	x	95	<b>0,000</b>	<b>0</b>	0,000	0
11.3	Impregnated	JM	28	x	95	<b>0,000</b>	<b>0</b>	0,000	0
Some materials will be cut into right size at the site								<b>1,325</b>	<b>498</b>
<b>13 Rectangular peg for terrace railing</b>									
13.1	ilusad	JM	21	x	45	<b>0,805</b>	<b>147</b>	0,112	118,335
13.2		JM	0	x	0	<b>0,000</b>	<b>0</b>	0,000	0
13.3		JM	0	x	0	<b>0,000</b>	<b>0</b>	0,000	0
Some materials will be cut into right size at the site								<b>0,112</b>	<b>118,3</b>
<b>15 Pillars for terrace railing</b>									
15.1	ILUSAD, pikkus lõigatakse õigeaks ehitusel		95	x	95	<b>1,125</b>	<b>11</b>	0,112	12,375
15.2			0	x	0	<b>0,000</b>	<b>0</b>	0,000	0
15.3			0	x	0	<b>0,000</b>	<b>0</b>	0,000	0
Some materials will be cut into right size at the site								<b>0,112</b>	<b>12,38</b>
<b>16 Handrail (ground floor)</b>									
16.1	ILUSAD	JM	45	x	145	<b>5,100</b>	<b>3</b>	0,100	15,3
16.2		JM	45	x	145	<b>0,000</b>	<b>0</b>	0,000	0
16.3		JM	45	x	145	<b>0,000</b>	<b>0</b>	0,000	0
Some materials will be cut into right size at the site								<b>0,100</b>	<b>15,3</b>
<b>17 Skirting for terrace railing</b>									
17.1	Impregnated	JM	21	x	120	<b>5,100</b>	<b>10</b>	0,129	51
17.2		JM	21	x	120	<b>0,000</b>	<b>0</b>	0,000	0

17.3		JM	21	x	120	<b>0,000</b>	<b>0</b>	0,000	0
Some materials will be cut into right size at the site								<b>0,129</b>	<b>51</b>
<b>19 Terrace railing frame</b>									
19.1	ILUSAD	JM	45	x	95	<b>6,000</b>	<b>5</b>	0,128	30
19.2		JM		x	50	<b>0,000</b>	<b>0</b>	0,000	0
19.3		JM		x	50	<b>0,000</b>	<b>0</b>	0,000	0
Some materials will be cut into right size at the site								<b>0,128</b>	<b>30</b>
<b>29 Ceiling boards of top storey</b>									
29.1		JM	11	x	88	<b>6,000</b>	<b>337</b>	1,957	2022
29.2		JM	11	x	88	<b>0,000</b>	<b>0</b>	0,000	0
29.3		JM	11	x	88	<b>0,000</b>	<b>0</b>	0,000	0
Some materials will be cut into right size at the site								<b>1,957</b>	<b>2022</b>
<b>38 Plinth</b>									
38.1	PÕHIKORRUS	JM	14	x	70	<b>6,000</b>	<b>24</b>	0,141	144
38.2	KATUSEKORRUS	JM	14	x	70	<b>0,000</b>	<b>0</b>	0,000	0
38.3		0	0	x	0	<b>0,000</b>	<b>0</b>	0,000	0
Some materials will be cut into right size at the site								<b>0,141</b>	<b>144</b>
<b>39 Ceiling listings</b>									
39.1	PÕHIKORRUS	JM	22	x	25	<b>6,000</b>	<b>40</b>	0,132	240
39.2	KATUSEKORRUS	JM	22	x	25	<b>0,000</b>	<b>0</b>	0,000	0
39.3		0	0	x	0	<b>0,000</b>	<b>0</b>	0,000	0
Some materials will be cut into right size at the site								<b>0,132</b>	<b>240</b>
<b>43 Wide ceiling listings</b>									
43.1	Üks serv 45 ° Ilusad	JM	18	x	60	<b>5,100</b>	<b>4</b>	0,022	20,4
43.2	Üks serv 45 ° Ilusad	JM	18	x	60	<b>2,700</b>	<b>4</b>	0,012	10,8
43.3	Üks serv 45 ° Ilusad	JM	18	x	60	<b>0,000</b>	<b>0</b>	0,000	0
Some materials will be cut into right size at the site								<b>0,034</b>	<b>31,2</b>
<b>44 Listing for wall corners</b>									
44.1		JM	22	x	25	<b>3,600</b>	<b>6</b>	0,012	21,6
44.2		JM	22	x	25	<b>3,100</b>	<b>4</b>	0,007	12,4
44.3		JM	22	x	25	<b>2,500</b>	<b>23</b>	0,032	57,5
Some materials will be cut into right size at the site								<b>0,050</b>	<b>91,5</b>
<b>46 Skirting board</b>									
46.1	Üks serv 45 °	JM	21	x	120	<b>6,000</b>	<b>19</b>	0,287	114
46.2		JM	21	x	120	<b>0,000</b>	<b>0</b>	0,000	0
46.3		JM	21	x	120	<b>0,000</b>	<b>0</b>	0,000	0
Some materials will be cut into right size at the site								<b>0,287</b>	<b>114</b>
<b>50 Internal light wall frame (ground floor)</b>									
50.1		JM	45	x	95	<b>3,200</b>	<b>7</b>	0,096	22,4
50.2		JM	45	x	95	<b>0,000</b>	<b>0</b>	0,000	0
50.3		JM	45	x	95	<b>0,000</b>	<b>0</b>	0,000	0
Some materials will be cut into right size at the site								<b>0,096</b>	<b>22,4</b>

<b>53 Internal spacing board for framewall (ground floor)</b>									
53.1		JM	21	x	45	<b>6,000</b>	<b>69</b>	0,391	414
53.2		JM	21	x	45	<b>0,000</b>	<b>0</b>	0,000	0
53.3		JM	21	x	45	<b>0,000</b>	<b>0</b>	0,000	0
Some materials will be cut into right size at the site								<b>0,391</b>	<b>414</b>
<b>54 Internal paneling of ground floor</b>									
54.1		JM	21	x	133	<b>6,000</b>	<b>14</b>	0,235	84
54.2		JM	21	x	133	<b>0,000</b>	<b>0</b>	0,000	0
54.3		JM	21	x	133	<b>0,000</b>	<b>0</b>	0,000	0
Some materials will be cut into right size at the site								<b>0,235</b>	<b>84</b>
<b>54A Internal paneling of ground floor</b>									
54A.1		JM	21	x	133	<b>6,000</b>	<b>192</b>	3,218	1152
54A.2		JM	21	x	133	<b>0,000</b>	<b>0</b>	0,000	0
54A.3		JM	21	x	133	<b>0,000</b>	<b>0</b>	0,000	0
Some materials will be cut into right size at the site								<b>3,218</b>	<b>1152</b>
<b>56 Insulating carcass</b>									
56.1			45	x	95	<b>2,600</b>	<b>75</b>	0,834	195
56.2			45	x	95	<b>3,900</b>	<b>35</b>	0,584	136,5
			45	x	95	<b>3,550</b>	<b>12</b>	0,182	42,6
		JM	45	x	95	<b>6,000</b>	<b>6</b>	0,154	36
56.3		JM	45	x	95	<b>0,000</b>	<b>0</b>	0,000	0
Some materials will be cut into right size at the site								<b>1,753</b>	<b>410,1</b>
<b>68 Rafter</b>									
68.1	ilusad		45	x	145	<b>4,775</b>	<b>8</b>	0,249	38,2
68.2	ots 0.7m ilus		45	x	145	<b>4,775</b>	<b>68</b>	2,119	324,7
68.3	ilusad		45	x	145	<b>3,723</b>	<b>4</b>	0,097	14,892
68.4	ots 0.7m ilus		45	x	145	<b>3,723</b>	<b>18</b>	0,437	67,014
68.5	ots 1m ilus		45	x	145	<b>5,500</b>	<b>4</b>	0,144	22
68.6	ilusad		45	x	145	<b>1,960</b>	<b>14</b>	0,179	27,44
68.7	ots 1m ilus		45	x	145	<b>3,100</b>	<b>5</b>	0,101	15,5
68.8			45	x	0	<b>0,000</b>	<b>0</b>	0,000	0
Some materials will be cut into right size at the site								<b>3,326</b>	<b>509,7</b>
<b>73 Visible roofboard</b>									
73.1		JM	18	x	86	<b>6,000</b>	<b>110</b>	1,022	660
73.2		JM	18	x	86	<b>0,000</b>	<b>0</b>	0,000	0
73.3		JM	18	x	86	<b>0,000</b>	<b>0</b>	0,000	0
Some materials will be cut into right size at the site								<b>1,022</b>	<b>660</b>
<b>74 Roofboards</b>									
74.1		JM	18	x	86	<b>5,100</b>	<b>0</b>	0,000	0
74.2	<b>DURELIS PLAAT</b>		18	x	610	<b>2,440</b>	<b>125</b>	3,349	305
74.3			0	x	0	<b>0,000</b>	<b>0</b>	0,000	0
Some materials will be cut into right size at the site								<b>3,349</b>	<b>305</b>

<b>75 Board between rafters</b>									
75.1			45	x	145	<b>0,555</b>	<b>54</b>	0,196	29,97
75.2		JM	45	x	145	<b>0,700</b>	<b>4</b>	0,018	2,8
75.3		JM	45	x	0	<b>0,000</b>	<b>0</b>	0,000	0
Some materials will be cut into right size at the site								<b>0,214</b>	<b>32,77</b>
<b>76A Ventilation space slat (on top of roof)</b>									
76A.1	H 50mm	JM	45	x	50	<b>6,000</b>	<b>92</b>	1,242	552
76A.2		JM	45	x	50	<b>0,000</b>	<b>0</b>	0,000	0
76A.3		JM	45	x	50	<b>0,000</b>	<b>0</b>	0,000	0
Some materials will be cut into right size at the site								<b>1,242</b>	<b>552</b>
<b>79B Ventilation extension board</b>									
79B.1	Impregnated	JM	21	x	95	<b>6,000</b>	<b>7</b>	0,084	42
79B.2	Impregnated	JM	21	x	95	<b>0,000</b>	<b>0</b>	0,000	0
79B.3	Impregnated	JM	21	x	95	<b>0,000</b>	<b>0</b>	0,000	0
Some materials will be cut into right size at the site								<b>0,084</b>	<b>42</b>
<b>80 Slat for roof ventilation</b>									
80.1	H= 30	JM	30	x	50	<b>6,000</b>	<b>67</b>	0,603	402
80.2		JM	30	x	50	<b>0,000</b>	<b>0</b>	0,000	0
80.3		JM	30	x	50	<b>0,000</b>	<b>0</b>	0,000	0
Some materials will be cut into right size at the site								<b>0,603</b>	<b>402</b>
<b>82 Gableboards</b>									
82.1		JM	21	x	120	<b>6,000</b>	<b>17</b>	0,257	102
82.2		JM	21	x	120	<b>0,000</b>	<b>0</b>	0,000	0
82.3		JM	21	x	120	<b>0,000</b>	<b>0</b>	0,000	0
Some materials will be cut into right size at the site								<b>0,257</b>	<b>102</b>
<b>83 Eaves boards</b>									
83.1		JM	21	x	120	<b>6,000</b>	<b>14</b>	0,212	84
83.2		JM	21	x	120	<b>0,000</b>	<b>0</b>	0,000	0
83.3		JM	21	x	120	<b>0,000</b>	<b>0</b>	0,000	0
Some materials will be cut into right size at the site								<b>0,212</b>	<b>84</b>
<b>86 Triangular gable slat</b>									
86.1		JM	32	x	32	<b>6,000</b>	<b>6</b>	0,037	36
86.2		JM	32	x	32	<b>0,000</b>	<b>0</b>	0,000	0
86.3		JM	32	x	32	<b>0,000</b>	<b>0</b>	0,000	0
Some materials will be cut into right size at the site								<b>0,037</b>	<b>36</b>
<b>87 Gable slat</b>									
87.1		JM	21	x	70	<b>6,000</b>	<b>6</b>	0,053	36
87.2		JM	21	x	70	<b>0,000</b>	<b>0</b>	0,000	0
87.3		JM	21	x	70	<b>0,000</b>	<b>0</b>	0,000	0
Some materials will be cut into right size at the site								<b>0,053</b>	<b>36</b>
<b>88 Pillars</b>									
88.1	vt. Joonist		115	x	115	<b>2,200</b>	<b>2</b>	0,058	4,4

88.2			0	x	0	<b>0,000</b>	<b>0</b>	0,000	0
88.3			0	x	0	<b>0,000</b>	<b>0</b>	0,000	0
Some materials will be cut into right size at the site								<b>0,058</b>	<b>4,4</b>
<b>89 Purlin from laminated wood</b>									
89.1	tapid		120	x	280	<b>8,528</b>	<b>1</b>	0,287	8,528
89.2	tapid+jätk		120	x	280	<b>6,28</b>	<b>1</b>	0,211	6,28
89.3	jätk+tapid		120	x	280	<b>13,48</b>	<b>1</b>	0,453	13,48
89.4	tapid+jätk		120	x	280	<b>6,28</b>	<b>2</b>	0,422	12,56
89.5	jätk+tapid		120	x	280	<b>13,48</b>	<b>2</b>	0,906	26,96
89.6			0	x	0	<b>0,000</b>	<b>0</b>	0,000	0
Some materials will be cut into right size at the site								<b>2,278</b>	<b>67,81</b>
<b>90 Extra materials</b>									
90.1		JM		x				0,000	0
90.2		JM		x				0,000	0
90.3		JM		x				0,000	0
Some materials will be cut into right size at the site								<b>0,000</b>	<b>0</b>
<b>92 T-piece for doors and windows</b>									
92.1	sein 70mm		70	x	50	<b>2,100</b>	<b>20</b>	<b>0,207</b>	42
92.2	sein 70mm		70	x	50	<b>1,400</b>	<b>14</b>	<b>0,097</b>	19,6
92.3	sein 70mm		70	x	50	<b>0,900</b>	<b>6</b>	<b>0,027</b>	5,4
92.4	sein 70mm		70	x	50	<b>0,600</b>	<b>6</b>	<b>0,018</b>	3,6
Some materials will be cut into right size at the site								<b>0,349</b>	<b>70,6</b>
<b>93 Pungle board for windows/ doors</b>									
93.1			20	x	80	<b>0,400</b>	<b>38</b>	0,024	15,2
93.2				x				0,000	0
Some materials will be cut into right size at the site								<b>0,024</b>	<b>15,2</b>
<b>94 Peg for closing holes</b>									
94.1	Ümarad	JM	35	x	35	<b>0,500</b>	<b>1</b>	0,001	0,5
94.2			0	x	0	<b>0,000</b>	<b>0</b>	0,000	0
94.3			0	x	0	<b>0,000</b>	<b>0</b>	0,000	0
Some materials will be cut into right size at the site								<b>0,001</b>	<b>0,5</b>
<b>95 Peg for closing holes</b>									
95.1	ÜMARPAK		0	x	0	<b>0,000</b>	<b>0</b>	0,000	0
95.2	KANDILINE PALK		16	x	16	<b>0,250</b>	<b>2154</b>	0,138	538,434
Some materials will be cut into right size at the site								<b>0,138</b>	<b>538,4</b>
Boundary slats for windows								0,441	
Boundary slats for doors								0,390	
<b>Total volume (m³)</b>								<b>31,68</b>	

<b>Building accessories for logwall</b>			#	70
No:	Material, description	Quantity		
1	2	3		
140	Metal fixator for rafters		0	pcs
140.1	Metal fixator for rafters		168	pcs
141	Regulating bolt	M30	0	pcs
141.1	Regulating bolt	M24	0	pcs
141.2	Regulating bolt	M20	2	pcs
141.3	Regulating bolt	M16	0	pcs
142	Tube	Ø35	0	pcs
142.1	Tube	Ø18	134	pcs
143	Metal plate for log continuing, 125, 150, 175, 195	40x200	0	pcs
143.1	Metal plate for log continuing, 92,88	50x60	0	pcs
143.2	Metal plate for log continuing, 113, 118	50x75	0	pcs
143.3	Metal plate for log continuing, 142, 165	95x100	0	pcs
	Comb nail	4x60	0	pcs
144	Long screw with hexagonal head	10x160	6	pcs
145	Washer	10x30	6	pcs
145.1	Long screw,28,32,45,50,70	6x100	180	pcs
146	Long screw with hexagonal head	12x240	0	pcs
147	Washer	12x32	0	pcs
148	Washer for rafters	M10	12	pcs
149	Screwbar	M10	103,5	m
150	Nut for continuing	M10	0	pcs
151	Nut/washer	M10	66	pcs
152	Nut	M10	78	pcs
153	Large plate-washer	M10	0	pcs
154	Washer	M10	66	pcs
155	Little plate-washer	M10	0	pcs
156	Star washer	M10	12	pcs
157	(Screw for continuing 45 ...70 mm logs)		6x150	0 pcs
158	Building strap		8x270	0 pcs
HS, PS1	Screwbar	M10 L=	130	0 pcs
HS,PS2	Screwbar	M10 L=	130	0 pcs
PPL	Screwbar	M10 L=	350	6 pcs
PK	Joist bracket		90x145	0 pcs
159	Extras for windows and doors		kmpl.	0 pcs
160	Hinges for shutters		kmpl.	0 pcs
	Anchor bolt		10x80	0 pcs
	Anchor bolt, wallbeam to foundation		10x115	61 pcs
70.A	Perforated metalplate	2x120x300	124	pcs
70.B	Perforated metalplate	2x120x400	0	pcs
	Clamps		12x8	0 pcs
161	Big cork for closeing holes		0	pcs
162	Small cork for closeing holes		0	pcs
	Bilo kinnituskomplekt			

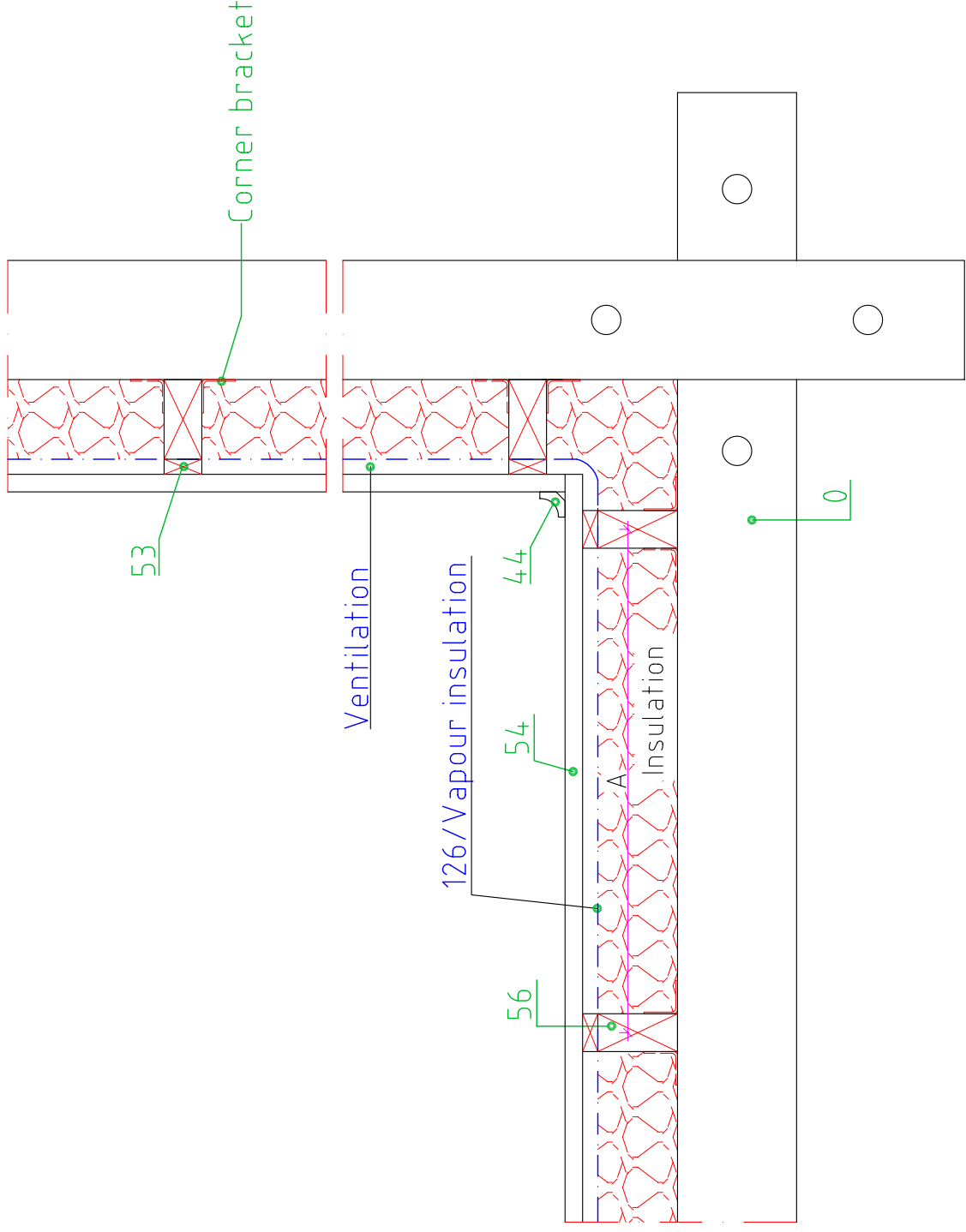




## Building accessories

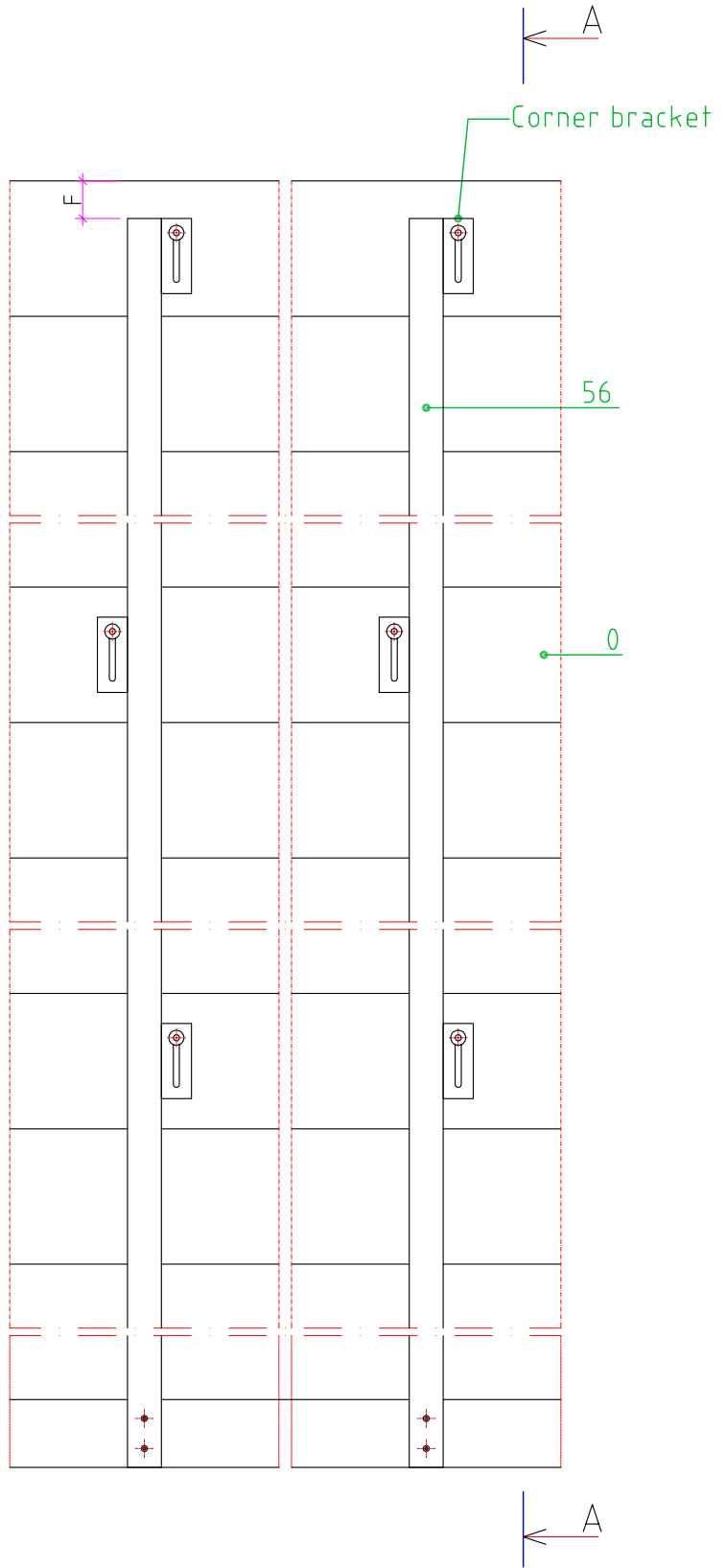
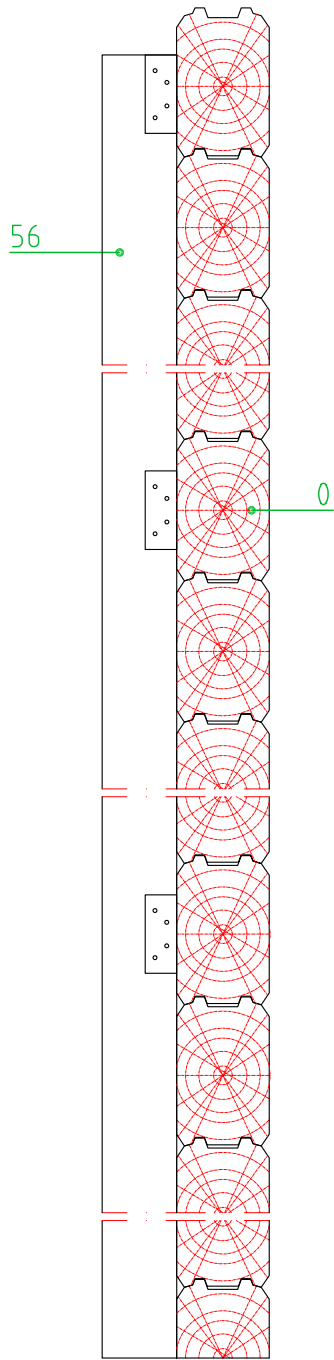
Customer	ruvikeeraaj otsik	Nomination	Ø x mm	Amount	Comments (pos. nr)
1	2	3	4	5	6
		Comb nail:	4x40	3824	140,70,71
		Screw for metal sheet:	4,2x38	151	138
		Screwdriver tips		3	
	T15	Screw	3,5x40	1071	13,31,43,79A,
	T20	Screw	4x40	828	78,52,53,57,58,64,65
	T20	Screw	4,5x80	1634	10,25,80,24,59,68,3, 50,70,79B,50A,141
	T20	Listing screw	4,2x55	2298	82,83,84,85,86,8,17,18,35,36,46, 47,48,27,93,A,RU,VU,SU,87,96
	T20	Listing screw	4,2x75	2862	82,83,55,11,14,26,32,41,54A,54,66,66A,67
	T25	Screw	5x100	3504	2,5,6,15,20,28,33,51,56,60,61,62, 63,75,81,89,60A
	T25	Screw	5x120	0	22,23,69
	T30	Screw	6x140	322	92,91
	T20	Dome capped screw	4,8x40	2448	4,16,34,PK,
		0	0	0	90
		Screwdriver tips	T15	2	
		Screwdriver tips	T20	22	
		Screwdriver tips	T25	8	
		Screwdriver tips	T30	2	
		Tift	1,2x50	9990	21A,29,38,39,40,42,44,45,54-A,55,66,54B -C,66A,67
		Clamps	6	18316	125,126,127,128
		Naildowel	8x60	560	7
		Corner bracket	60x60x40x2,5	62	4
		Corner bracket	60x60x60x2,5	22	16,34
		Corner bracket	60x60x80x2,5	0	4
		Corner bracket	40x40x100x2	413	56,63
		Bolt	6x60	413	
		Band pulley	6x18	413	
		Joist bracket	0	0	
		Gyps screw	3,9x32	0	
		Anchor bolt	10x115	12	1
		Nails for gun (34')	2,9x64	5765	73,74,79
		Nails for gun (34')	2,9x64	0	21
		Nail	5x150	242	71,68
		Nails for gun (34')	1,8x50	4944	54A,55,54,66,66A,67
		Nails for gun (34')	3,1x90	2473	1,4,72,76,76A,77
		Nail	2,8x35	0	129 For windplate
		Washer	8x40	322	92,91
		Screw for tin plate	4,8x28	180	137
		Roofnail	2x20	7416	135 For roof covering, bird net

<b>Building accessories 1</b>				
No:	Material, description	Quantity		
1	2	3		
110	Regulating screw for doors and windows	154	pcs	
111	Plastic closing for screwholes in external doorframes and windows	98	pcs	
111.1	Plastic closing for screwholes in internal doorframes	56	pcs	
112	Wooden closing for screwholes in doorframe	0	pcs	
113	Regulating screw for doors and windows	4	pcs	
<b>Building accessories 2</b>				
No:	Material, description	Quantity		
1	2	3		
120	Hydroinsulation under first wallog	300 mm	128	m
125	Building paper		190	m <sup>2</sup>
126	Vapour barrier		393	m <sup>2</sup>
126 A	Tape for vapour barrier		197	m
128	Wind barrier		195	m <sup>2</sup>
129 A	Windproof fabric		216	m <sup>2</sup>
130	Underlayer for roof covering	KATEPAL	239	m <sup>2</sup>
131	Insect net between rafters		36	m
132	Silicone		8	pcs
132 A	Silicone for det.138		2	pcs
133	Montage foam		10	pcs
135	Roof covering, colour	GREEN	80	pakk
137	Ridge capping L=2000mm	GREEN	30	m
137.1	Eaves flashing	BROWN	38	m
137.2	Rainwater systems	BROWN	1	
	Neeluplekk. a - 2m	GREEN	10	tk
138	Metal sheet above doors and windows (Brown)			
				m
	A1	1500 mm	5	pcs
	A2	1500 mm	2	pcs
	A3	2400 mm	2	pcs
	A4	1500 mm	1	pcs
	A5	1500 mm	3	pcs
	VU1	2400 mm	3	pcs
	VU2	1600 mm	1	pcs
74.2	Durelis plaat 610x2440x18		125	pcs
10.1	OSB 675x2500x22		104	pcs
	Remmers Aidol HK-Lasur for exterior. Palisander 2256		55	l
	Corovin akendele-ustele		10	m <sup>2</sup>



A = 600mm.

A-A



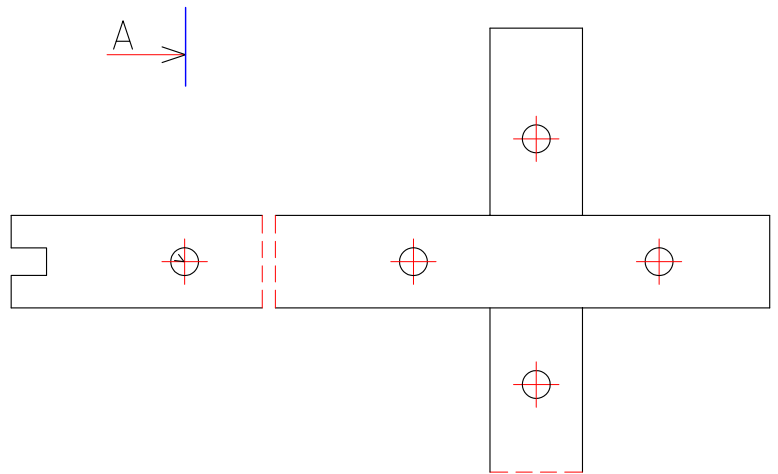
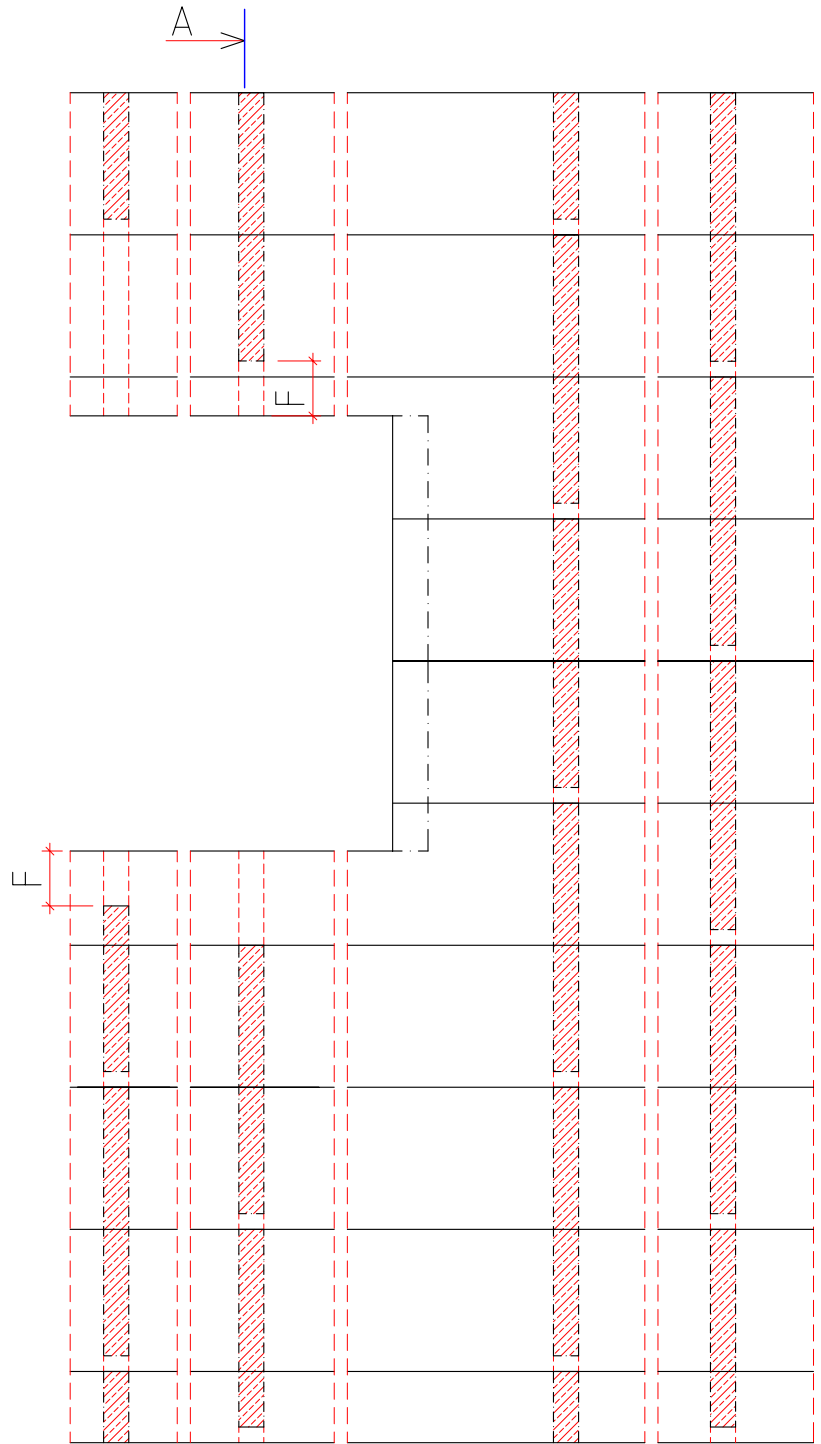
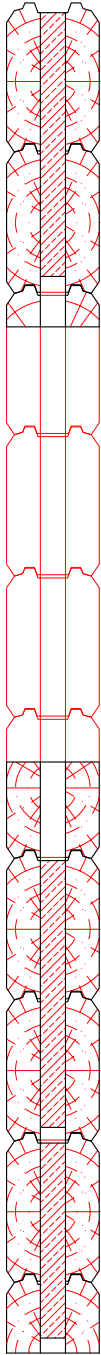
F - Sinking distance 70 ... 90mm  
Log shape on drawing is only indication

Insulated wall construction

MAIN CONSTRUCTION

RPM-TTE 02-04

A-A

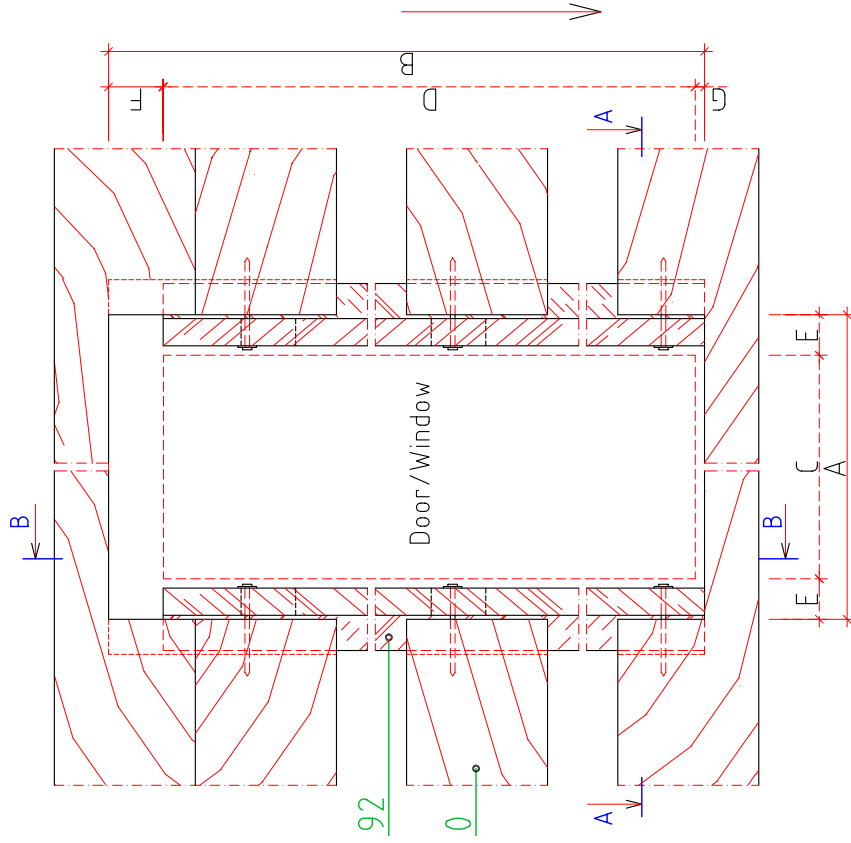
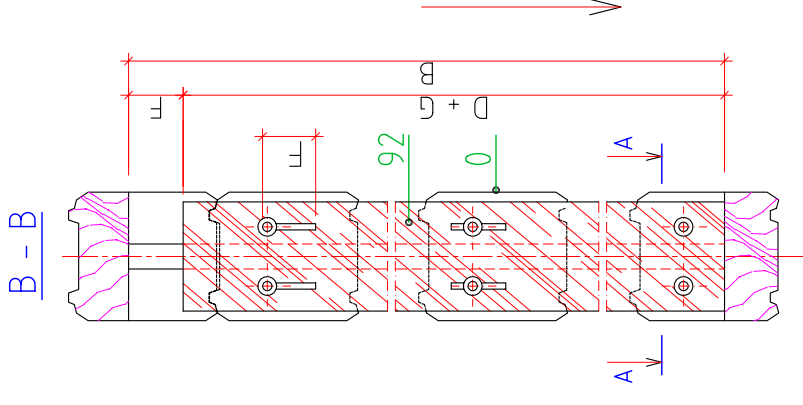
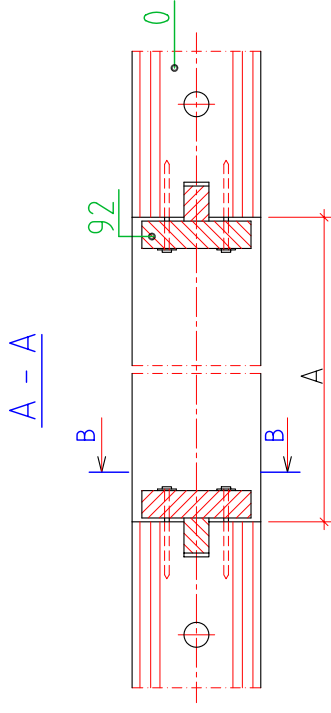
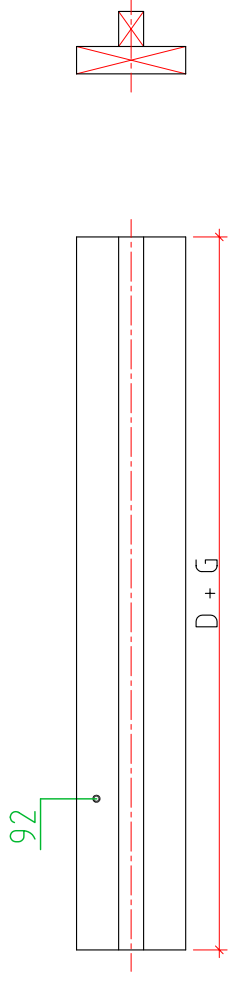


Log shape on drawing is only indication

F - sinking distance. Wooden pin must drilled back 70 ... 90mm.

Instruction for assembly  
of wooden pegs

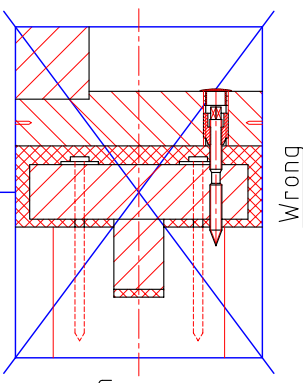
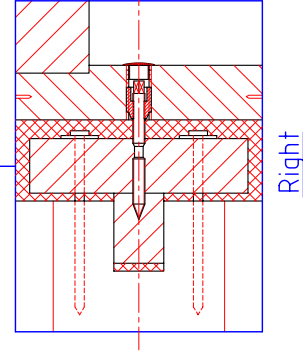
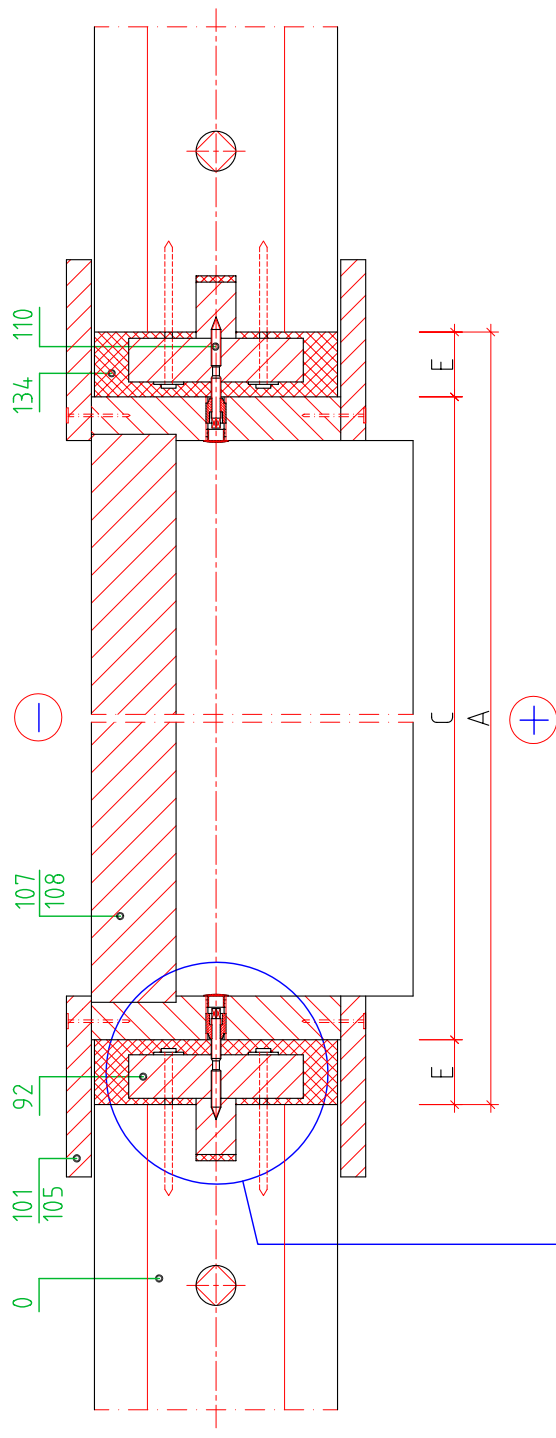
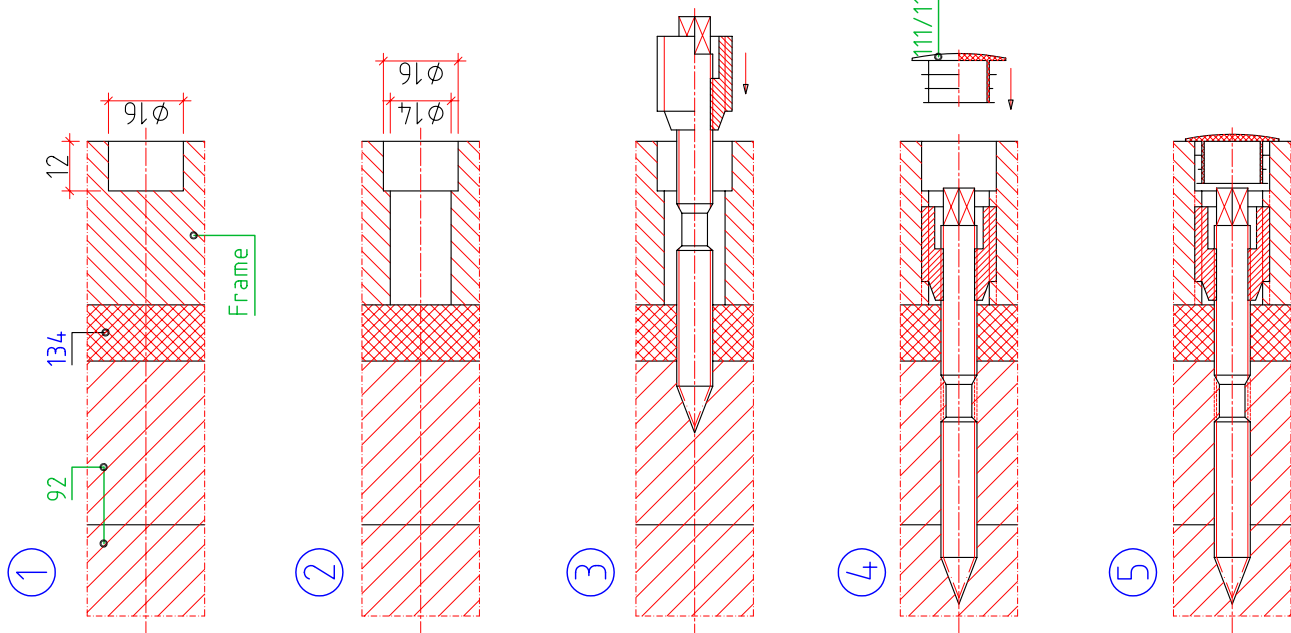
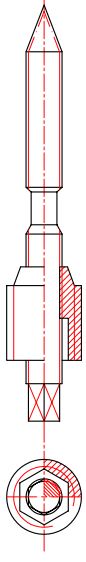
RPM-TTE 03-01



- A - Width of opening
- B - Height of opening
- C - Width of windows/door
- D - Height of windows/door
- E - Interval
- F - Sinking distance 70 ... 90mm
- G - Interval

Log shape on drawing is only indication

# 110 - Regulating screw for doors and windows

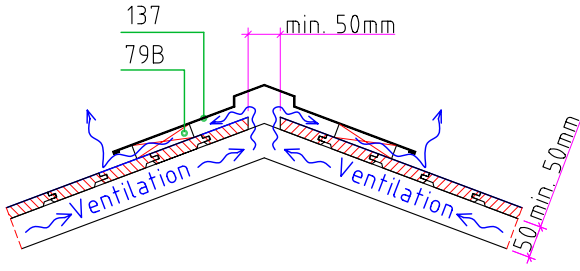
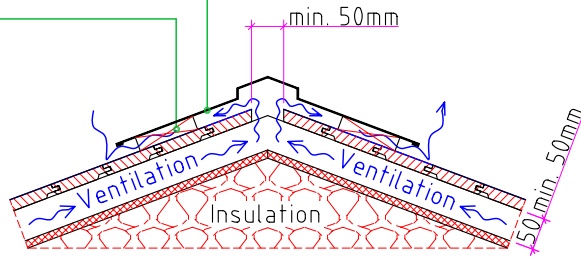


-The door frame will be brighted with 6 installation screws (pos.no.110)  
 -The window frame will be brighted with 4 installation screws (pos.no.110)

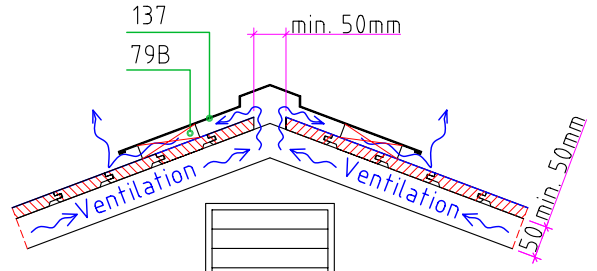
A - Width of opening  
 C - Width of windows/door  
 E - Interval

A-A

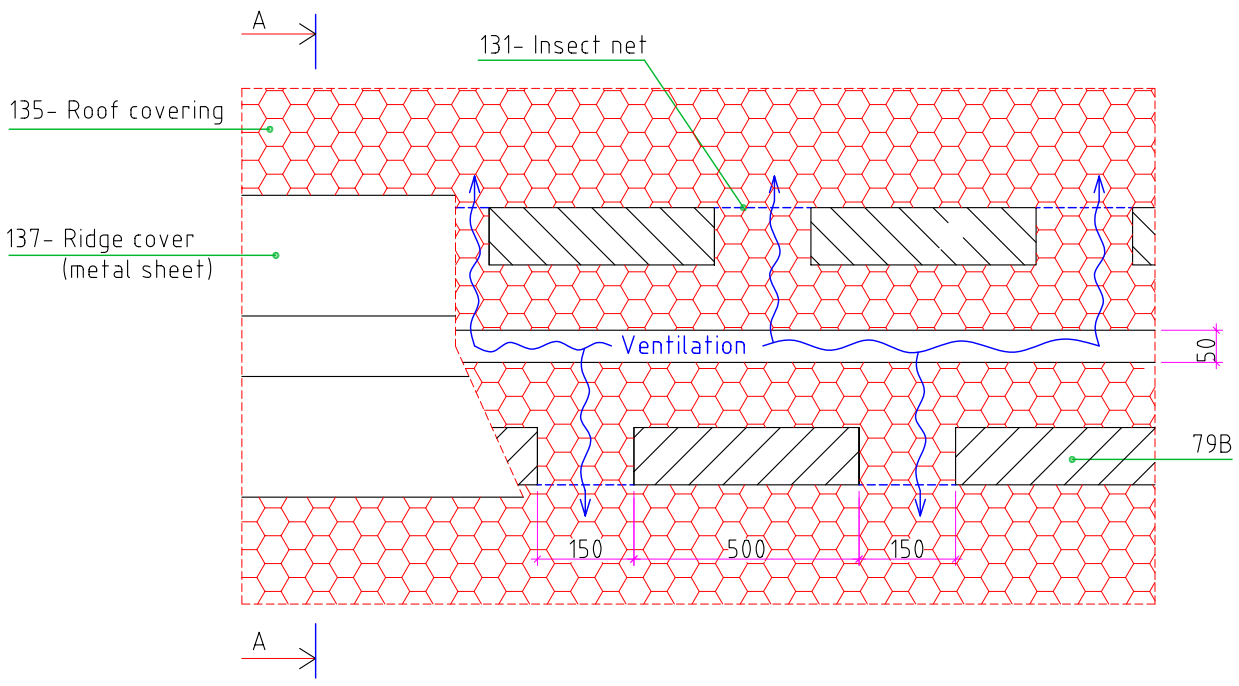
137- Ridge cover (metal sheet)  
79B- Ventilation extension board



Method 1  
Partially insulated roof



Method 2  
Partially insulated roof

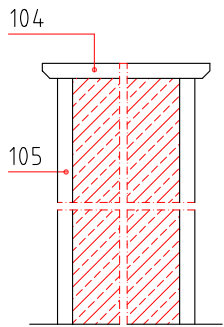


COMMENTS:

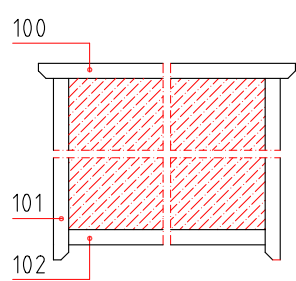
ROOF COVERING SHOULD BE INSTALLED FOLLOWING MANUFACTURERS INSTRUCTION!  
RIDGE VENTILATION MUST BE DONE!



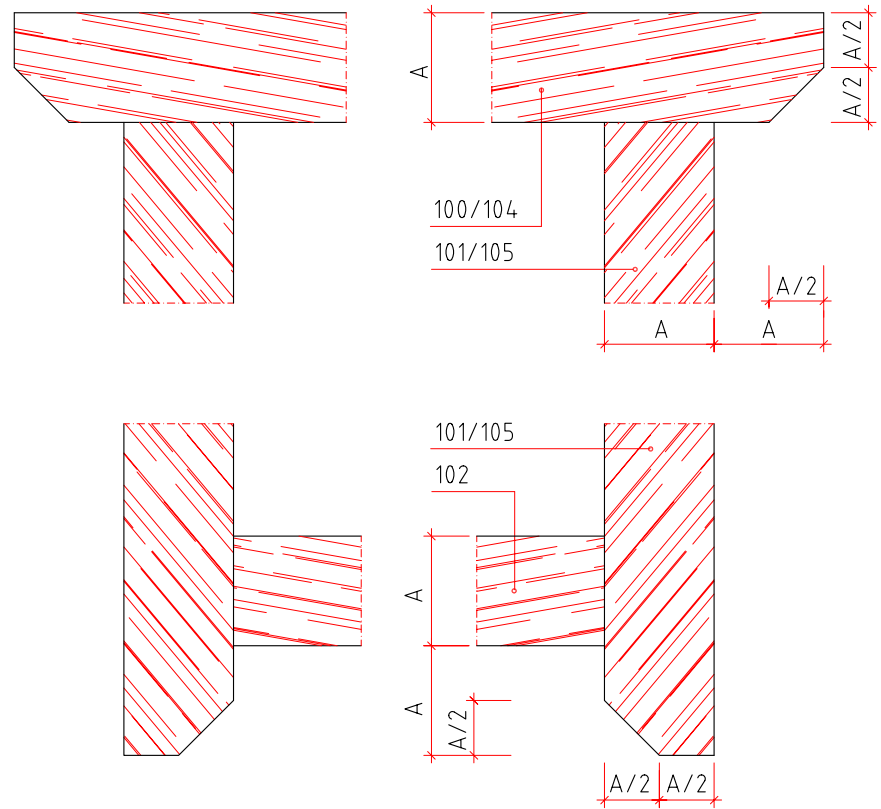
Locationscheme of boundary boards for doors



Locationscheme of boundary boards for windows

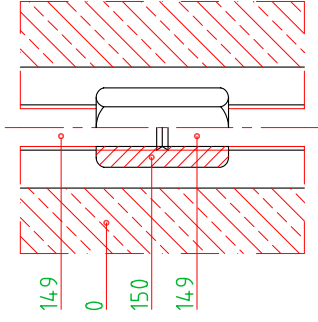


Cutting corners of boundary boards

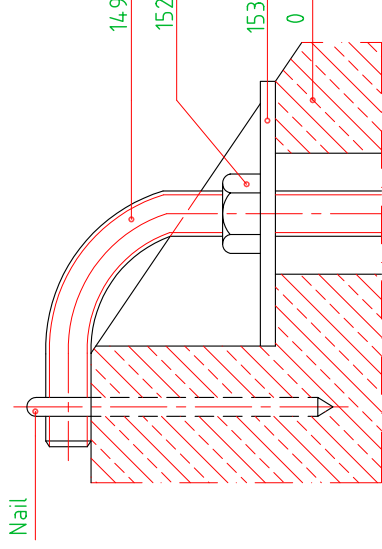


Boundary boards (pos. "101" and "105") are cut in right length on dwelling site.  
Corners are cut there too.

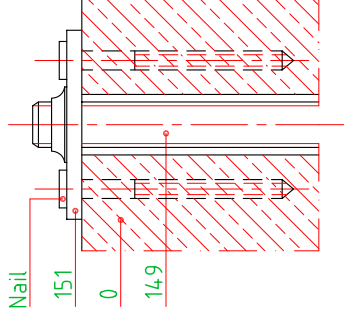
Screw spar continuing



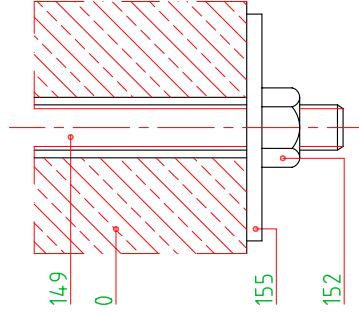
Fixing the screw spar to wall (from top)



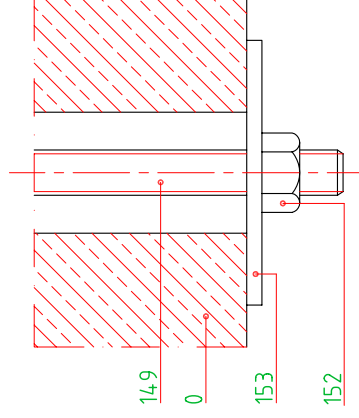
Fixing the screw spar from top



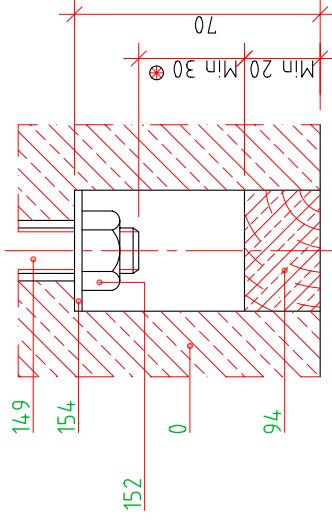
Visible fixing of screw spar (bottom)



Fixing of screw spar in external walls (bottom)

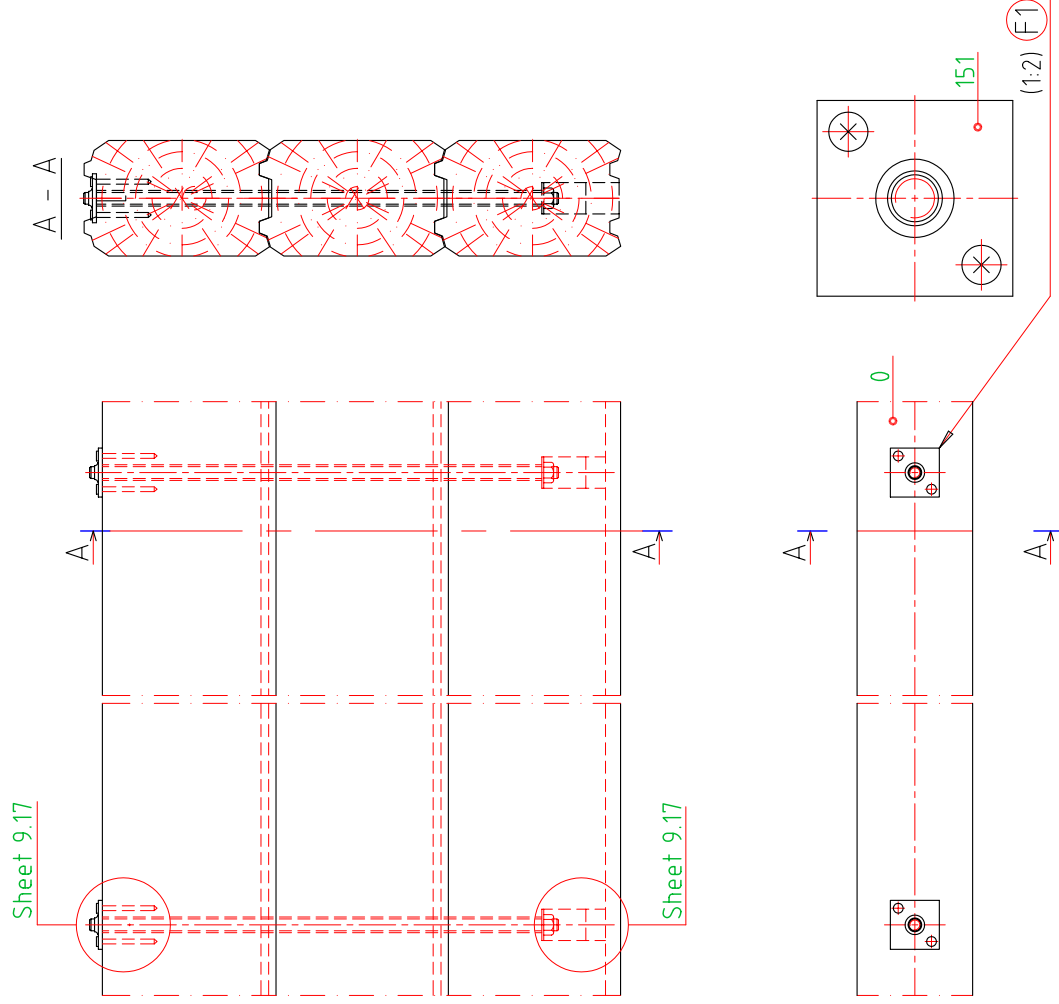


Hidden fixing of screw spar (bottom)

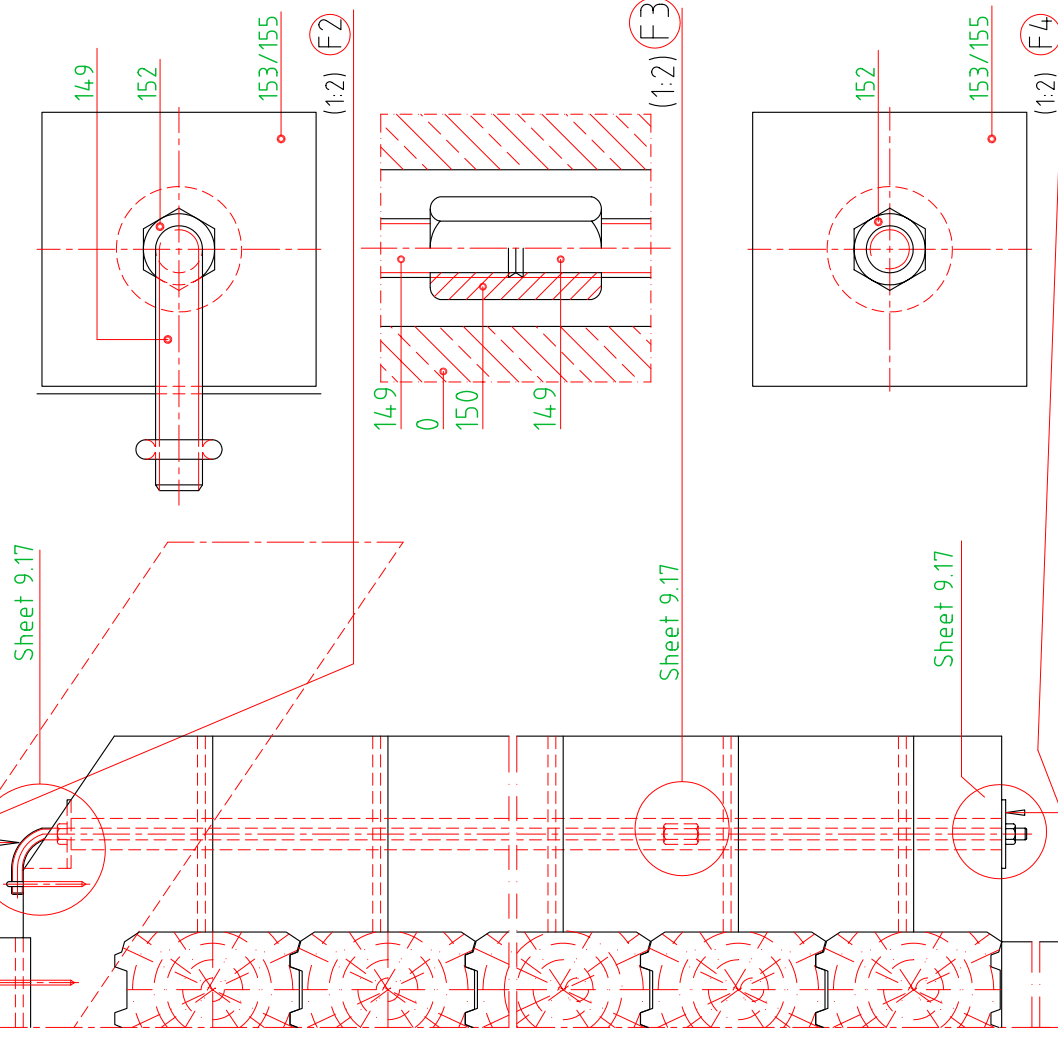


⊗ - Distance after fixing the screw spar. Later this distance decreases.

Upper roof beams and other beams  
accessible from top



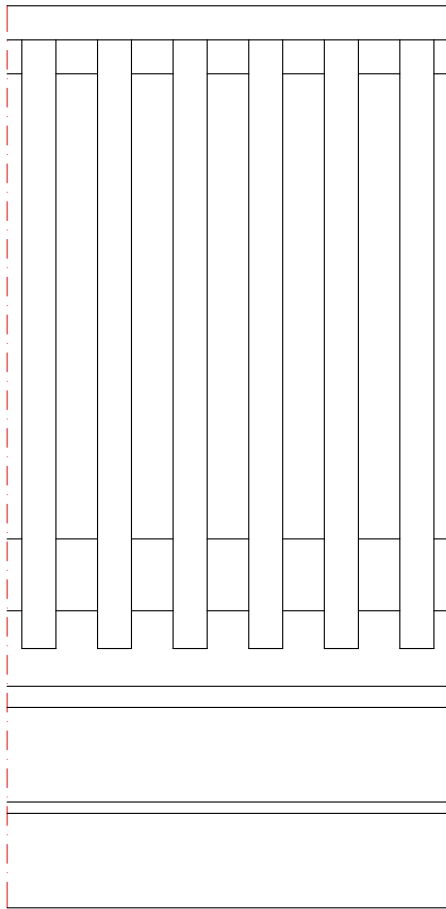
Walls with gables



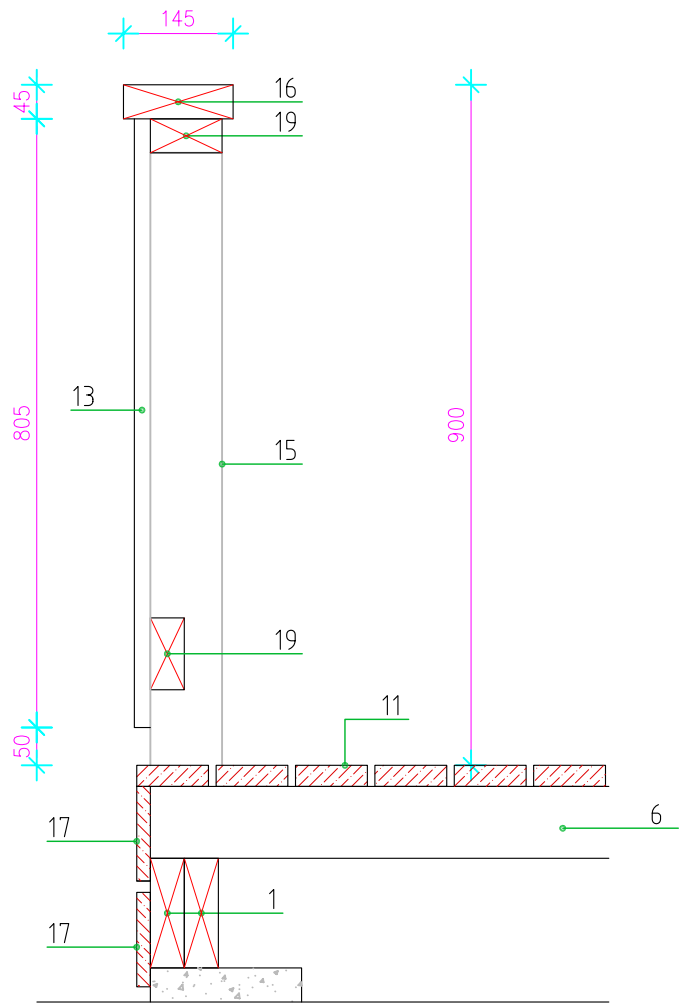
Log shape on drawing is only indication

Stretching of wall carcass

RPM-TTE 17-02



45, 55, 45, 55



Drawing:

TERRACE

MAIN CONSTRUCTION

RPM-TTE 10-01.1