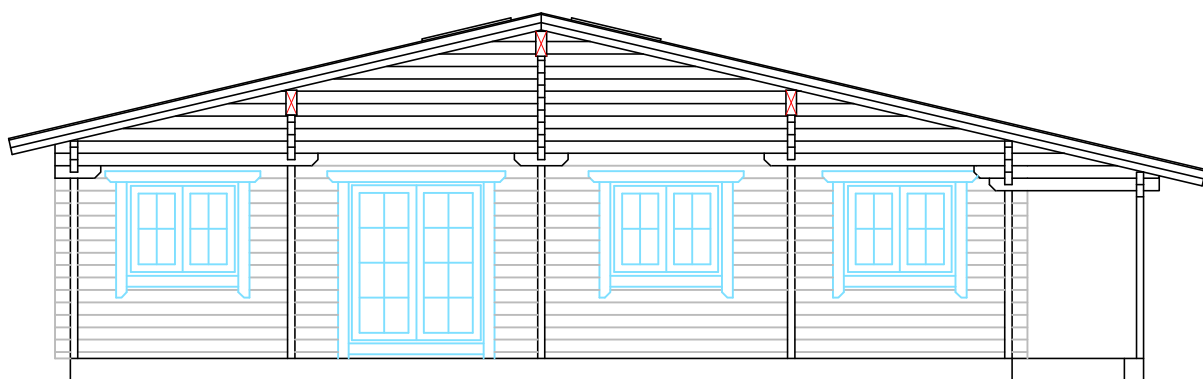
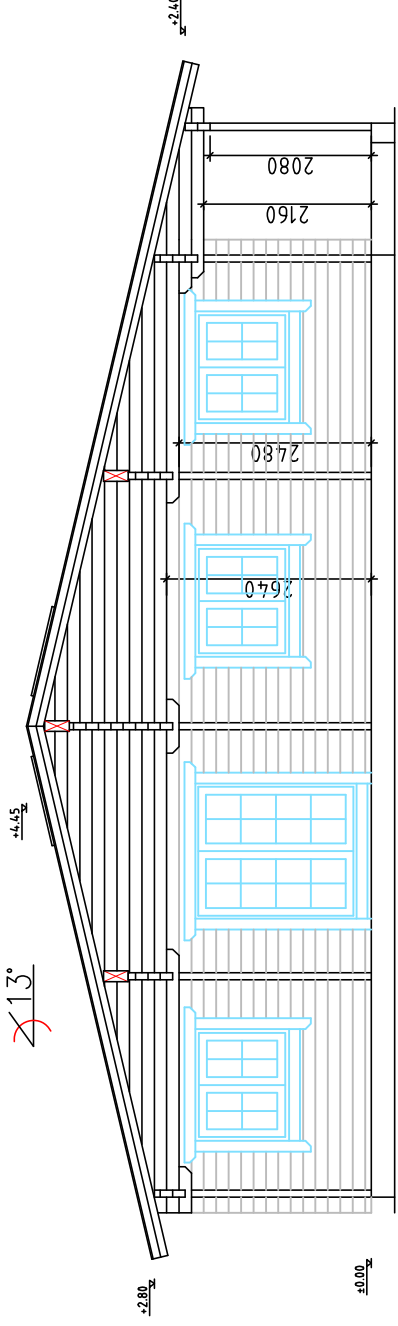


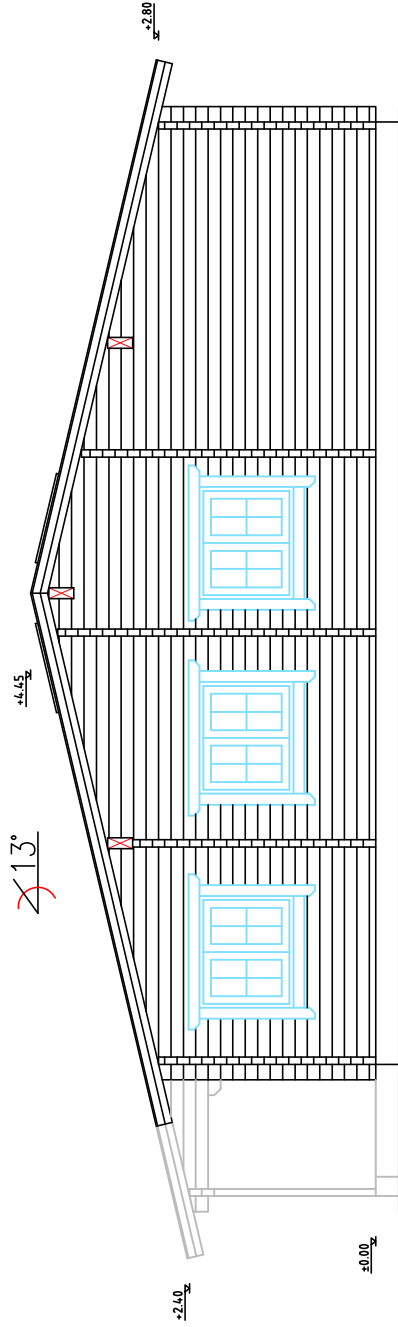
Architectural- constructional part (AE)

The technical drawings are based on customer's wishes and on technical possibilities of the producer!





Section -A

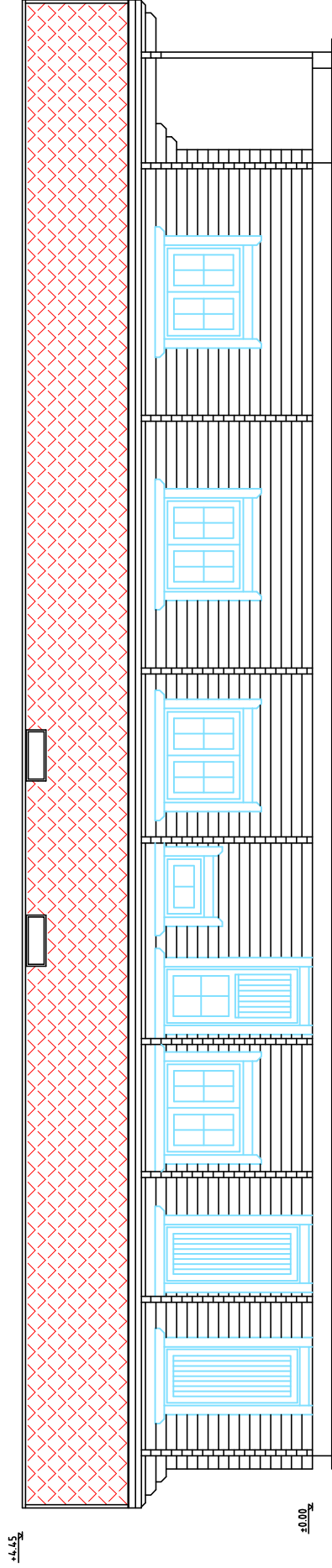


Section -B

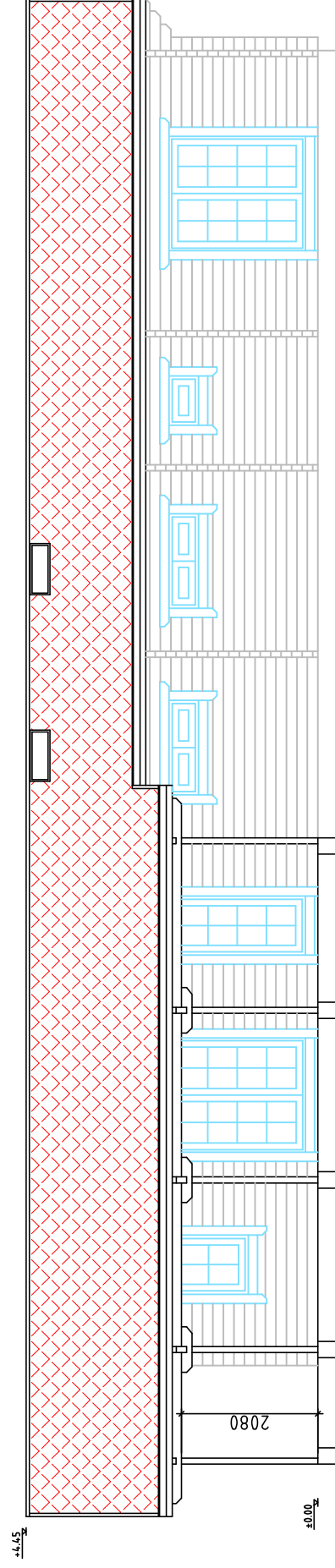
SECTIONS

Drawn by:
Tarmo Tigane

ROSEBANK



Section -C



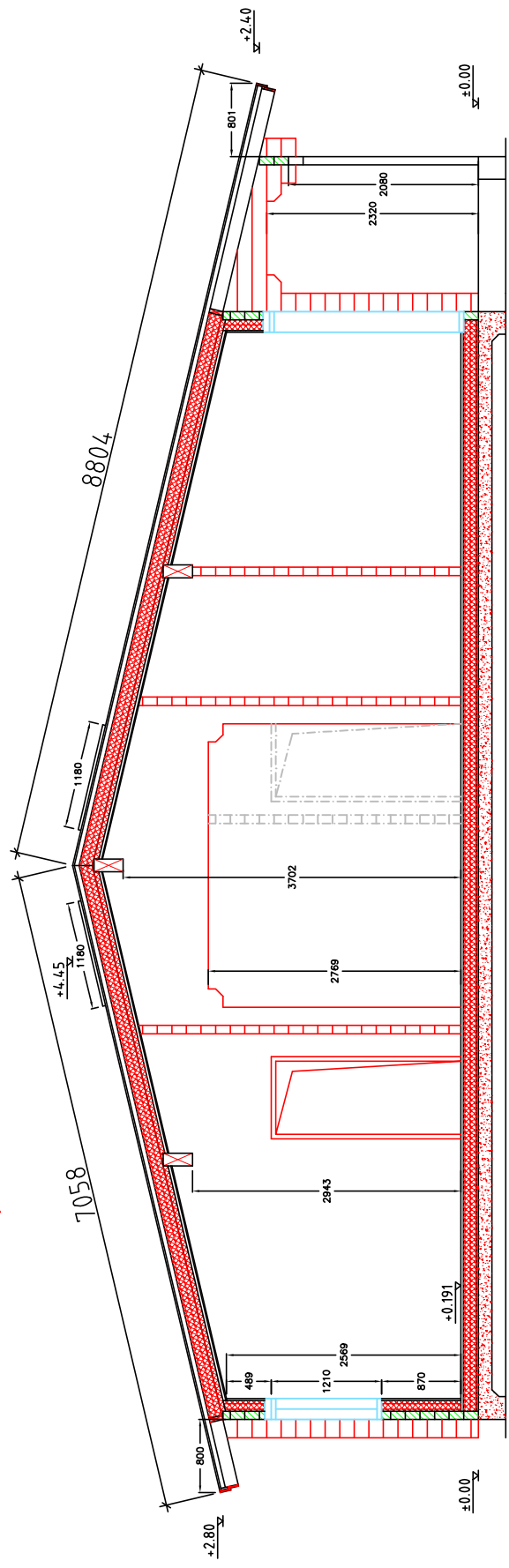
Section -D

SECTIONS

Drawn by:
Tarmo Tigane

ROSEBANK

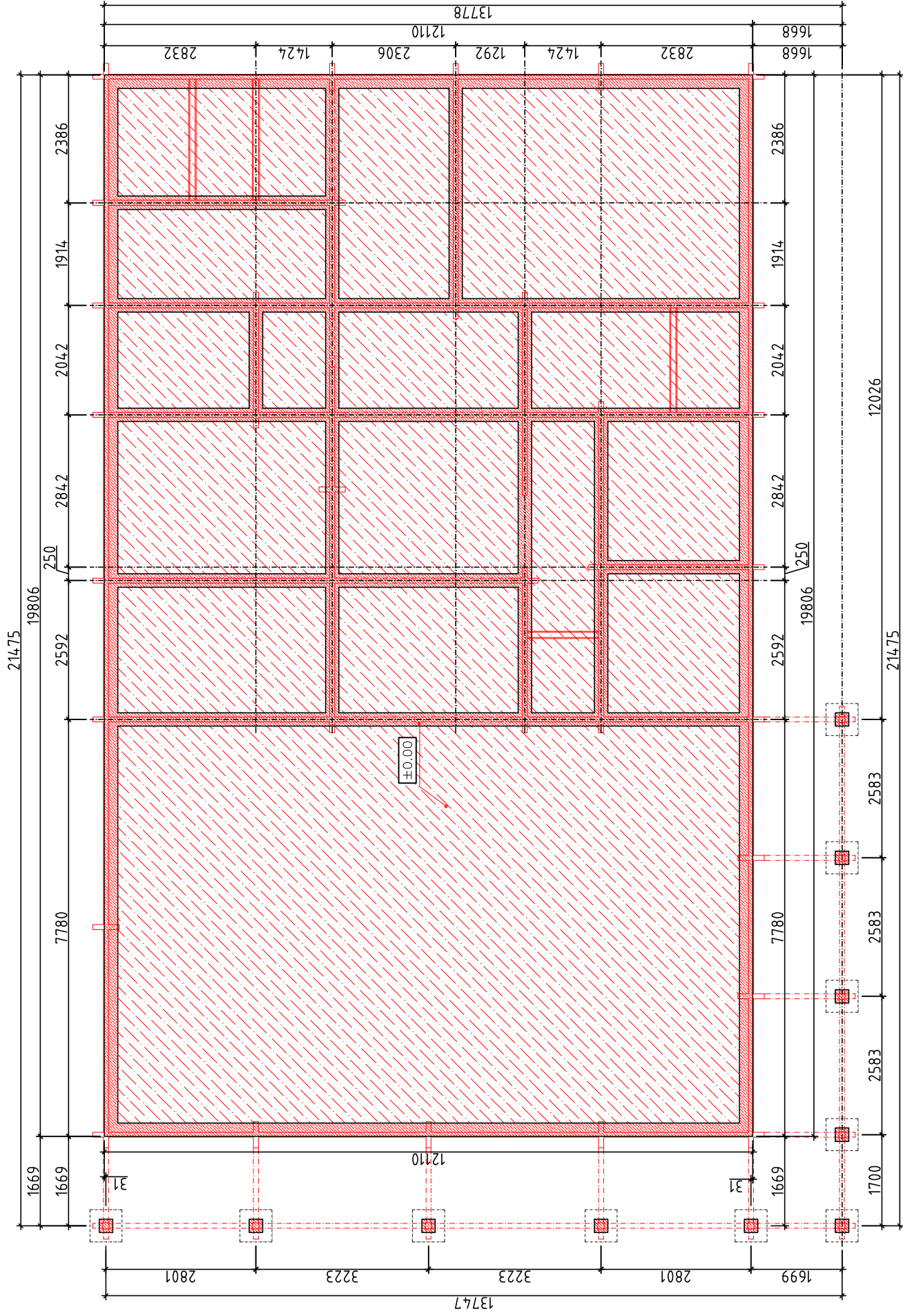
$\sphericalangle 13^\circ$



Cross-section A-A

CROSS-SECTION		Page: 4.4
Drawn by: Tarmo Tigane	ROSEBANK	Measure: 1:75

Section -C

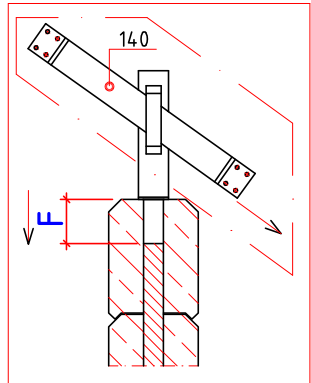
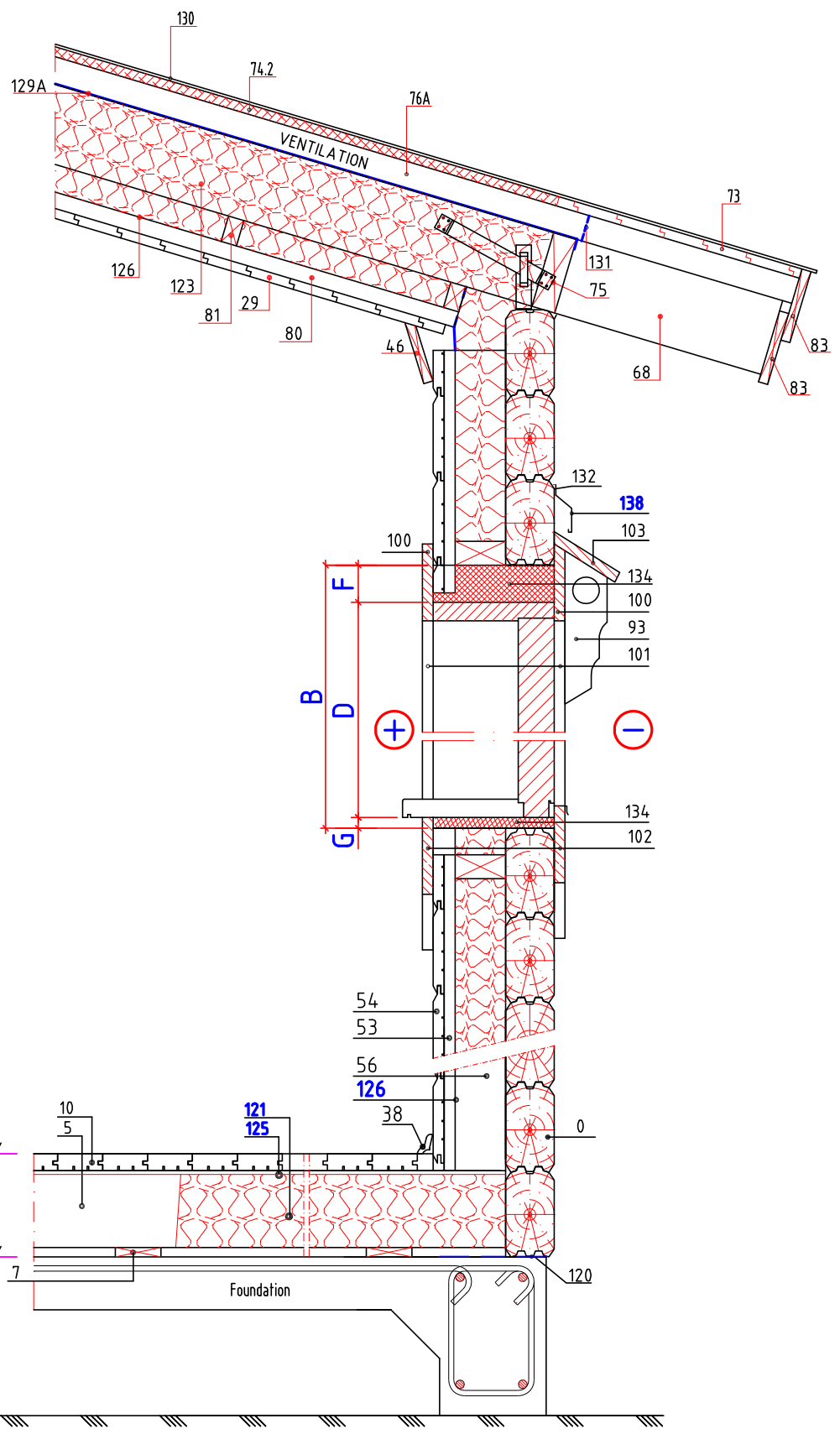
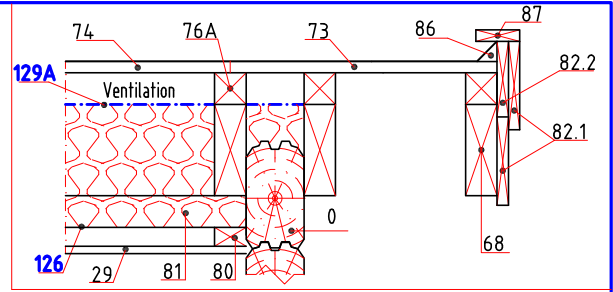


Section -A

Section -B

FOUNDATION

Section -D



F - Sinking distance "F" = 90mm.
 Wooden pin must drilled back 90mm.

Explained on page 5.2.

Üldinfojoonis