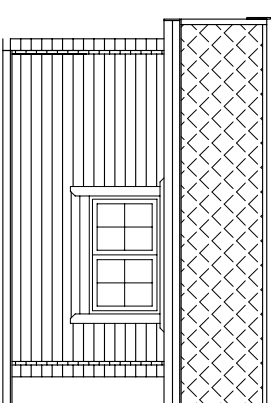
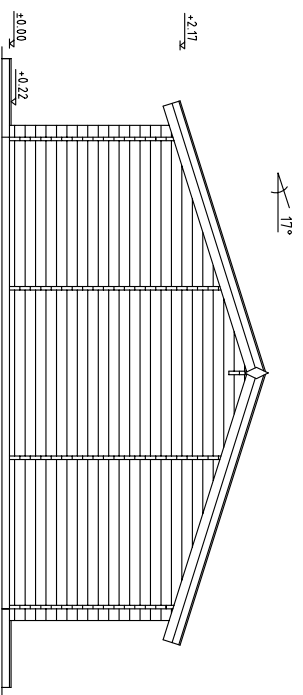


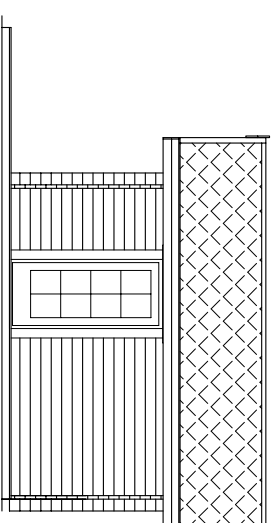
Section-A



Section-C



Section-B



Section-D

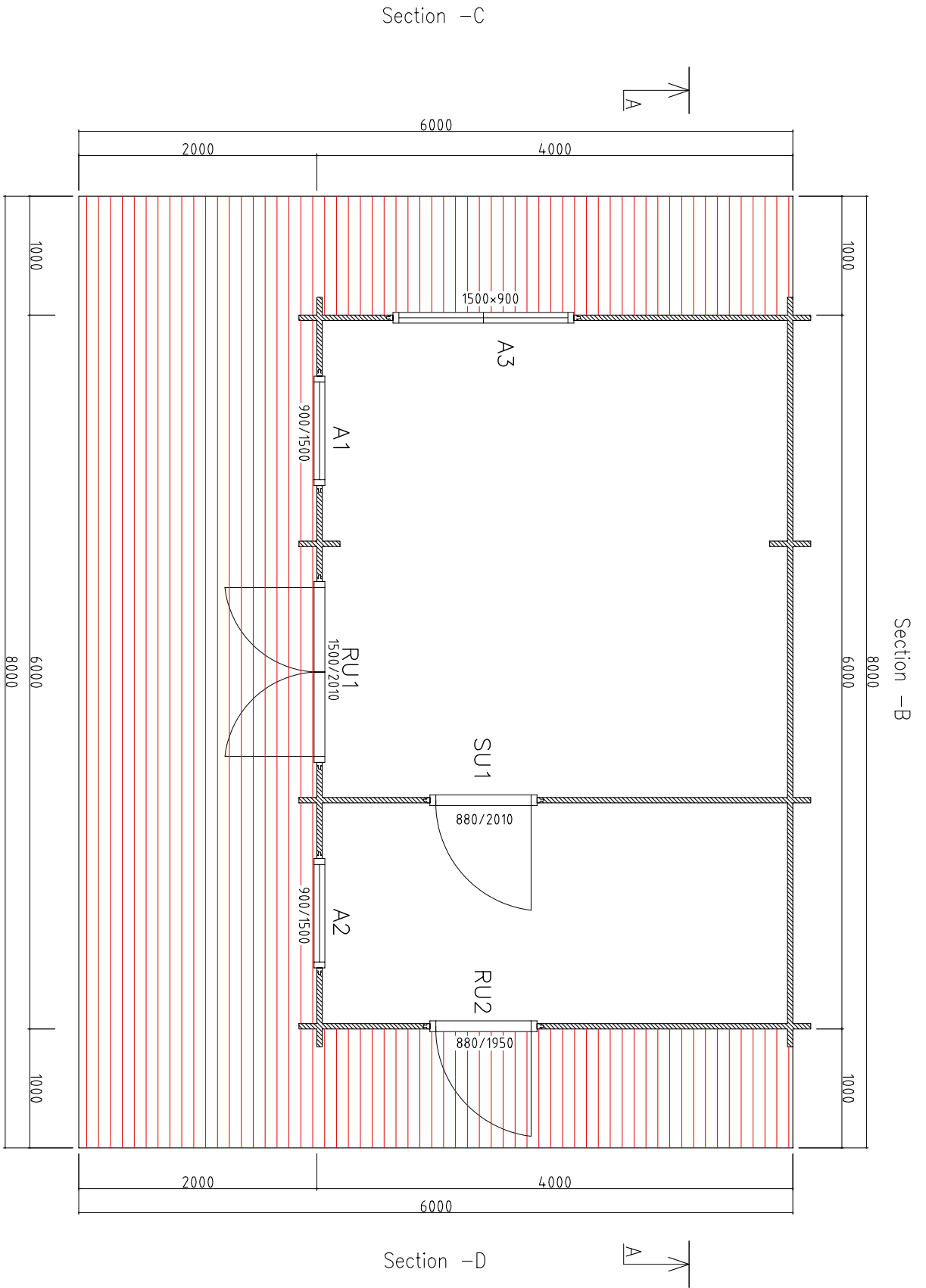
SECTIONS

Drawn by:
Alvar Rebana

RYAN 2 terrace

Page: 1

Measure:
1:100

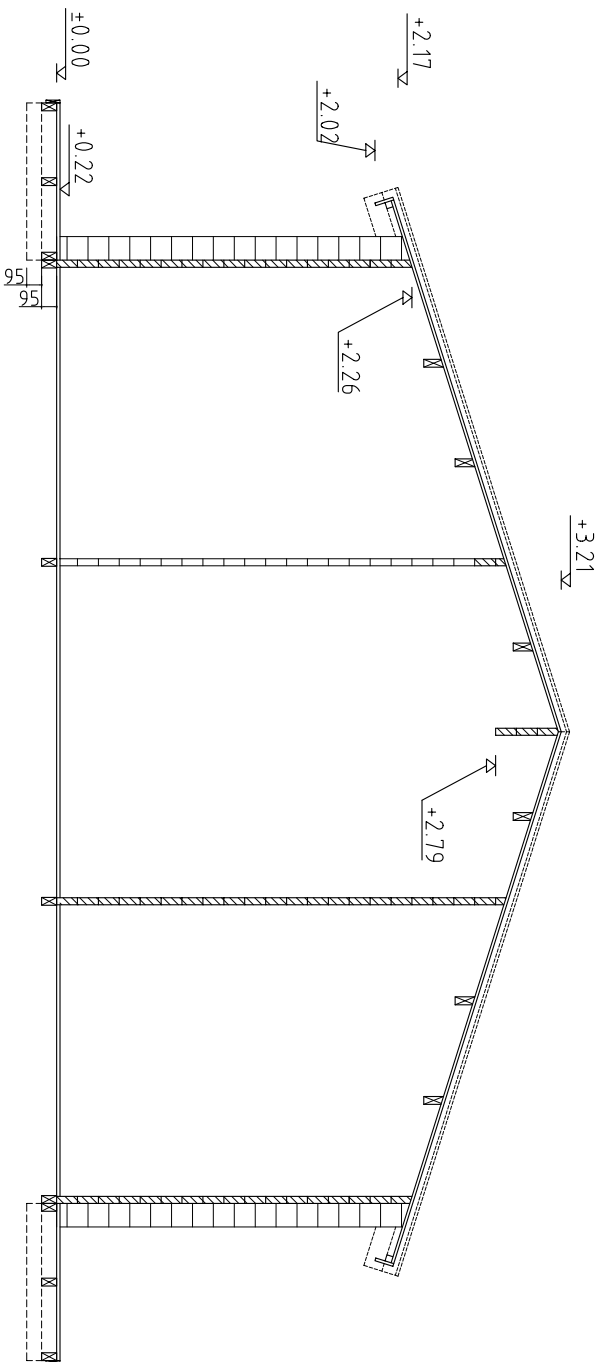


GROUND PLAN

Drawn by:
Alvar Rebana

RYAN 2 Terrace

Page: 2
Measure:
1:50



Cross-section A-A