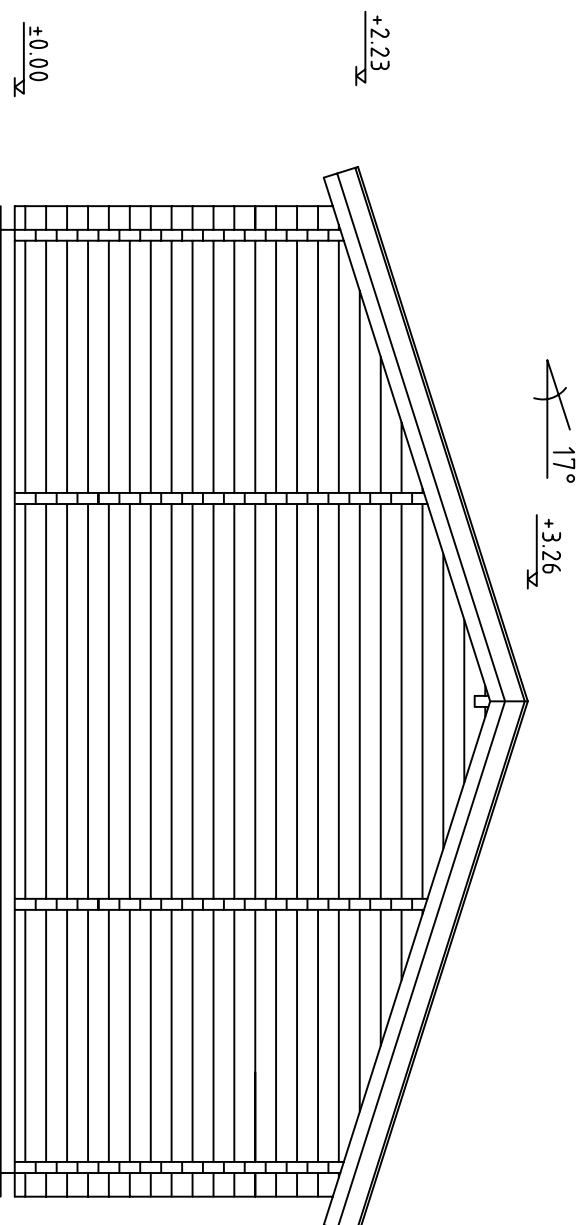


Section-A



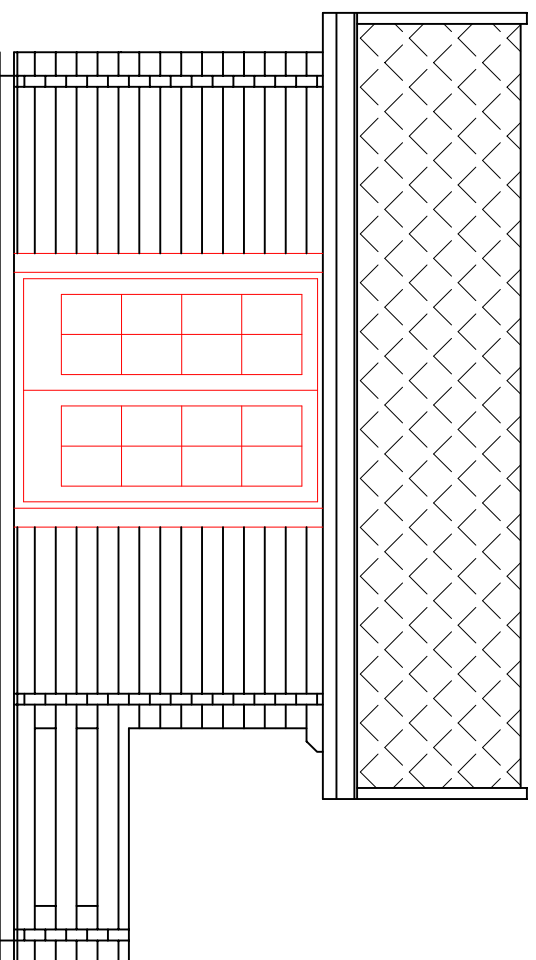
Section-B

SECTIONS

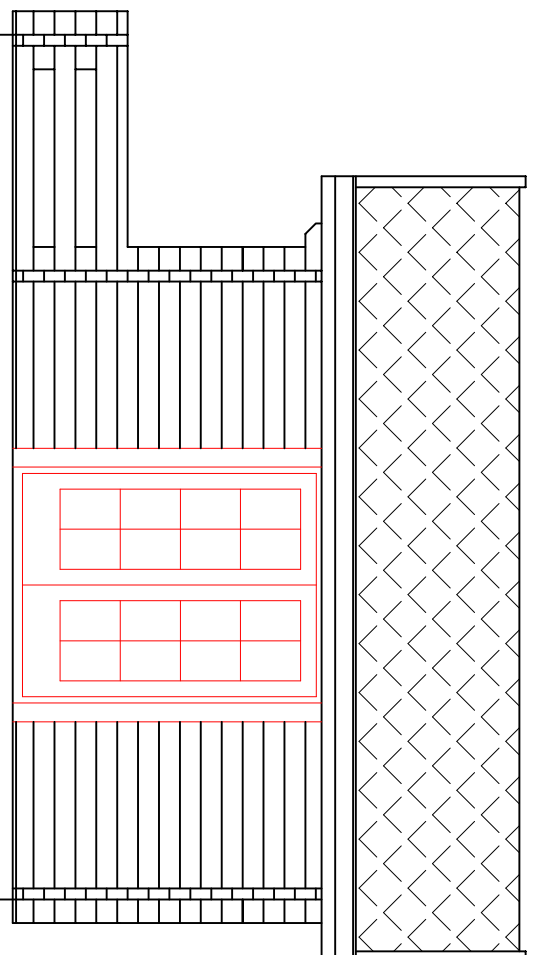
Drawn by:
Tigane

RYAN 4x6

Page:4.1
Measure:
1:50

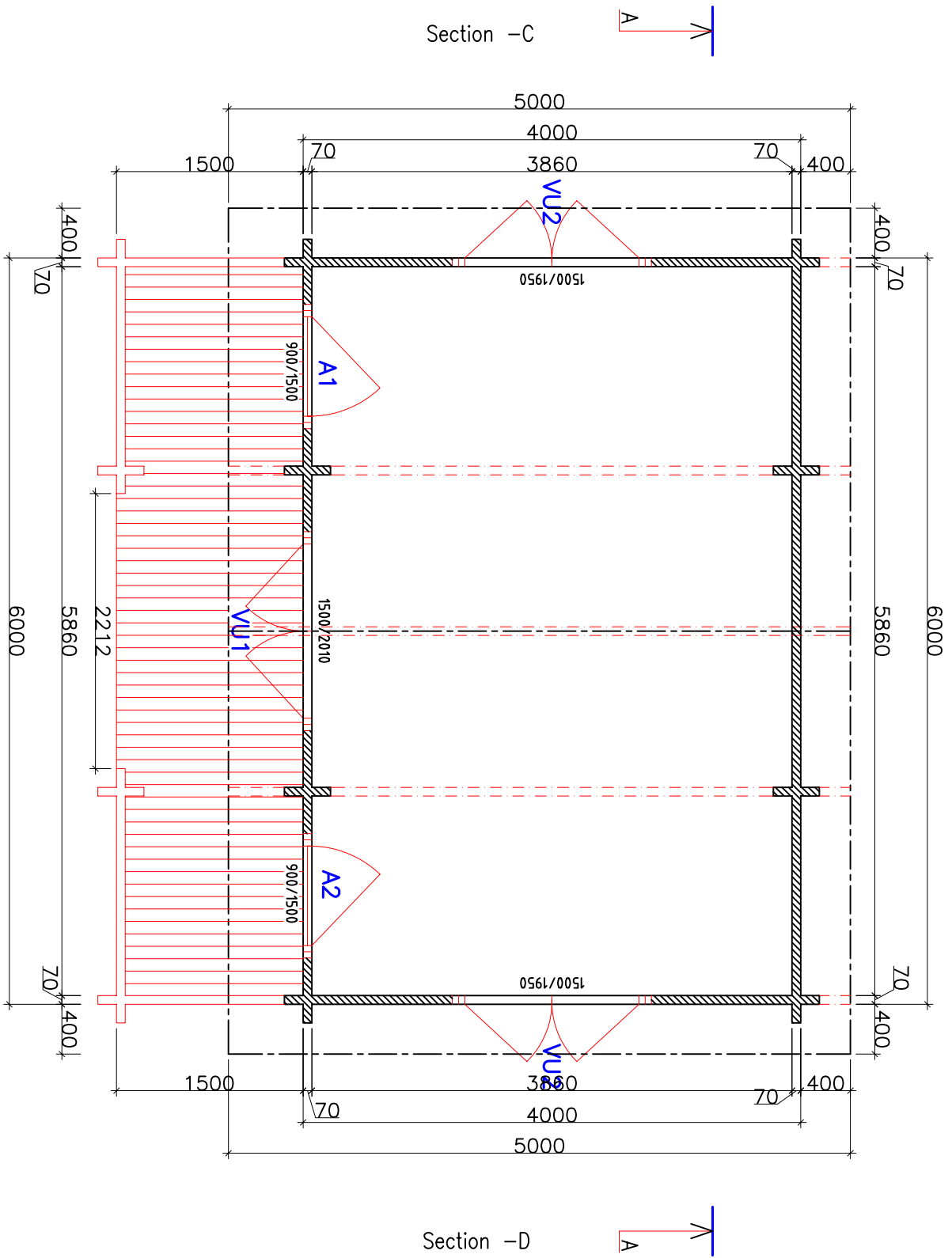


Section -C



Section -D

| | | |
|---------------------|----------|------------------|
| Drawn by: Tigane | SECTIONS | Page:4.11 |
| | RYAN 4x6 | Measure: 1:50 |



Section -A

Section -B

Section -C

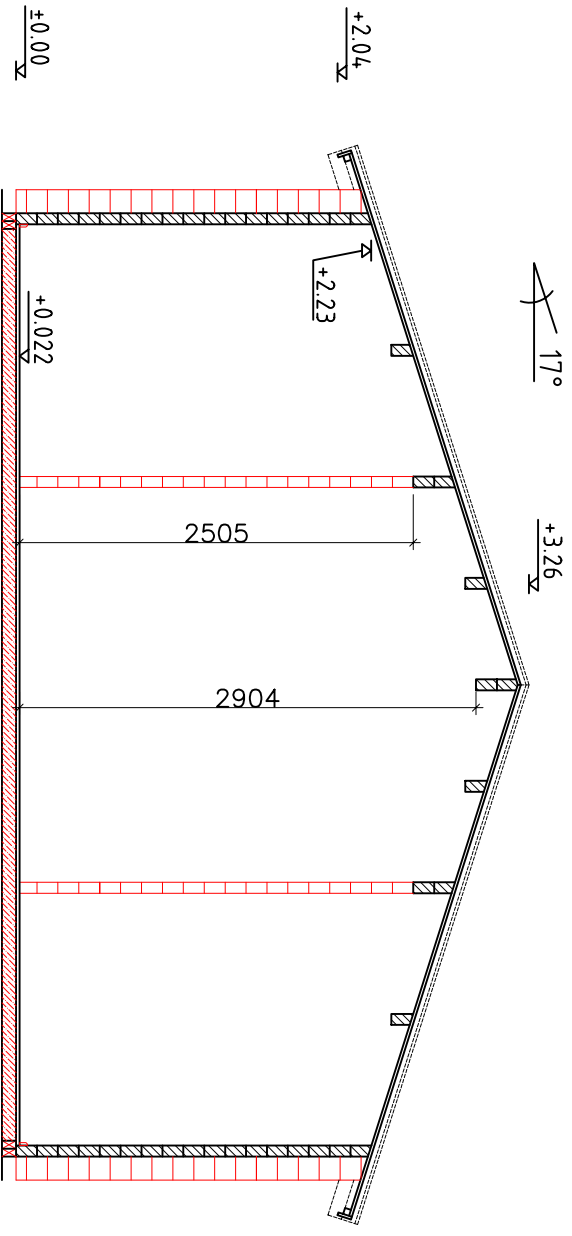
Section -D

GROUND PLAN

Drawn by:
Tarno Tigane

RYAN 4x6

Page:4.2
Measure:
1:50



CROSS-section A-A

| | | |
|---------------------|---------------|------------------|
| Drawn by: Tigane | CROSS-SECTION | Page: 4.4 |
| | RYAN 4x6 | Measure: 1:50 |