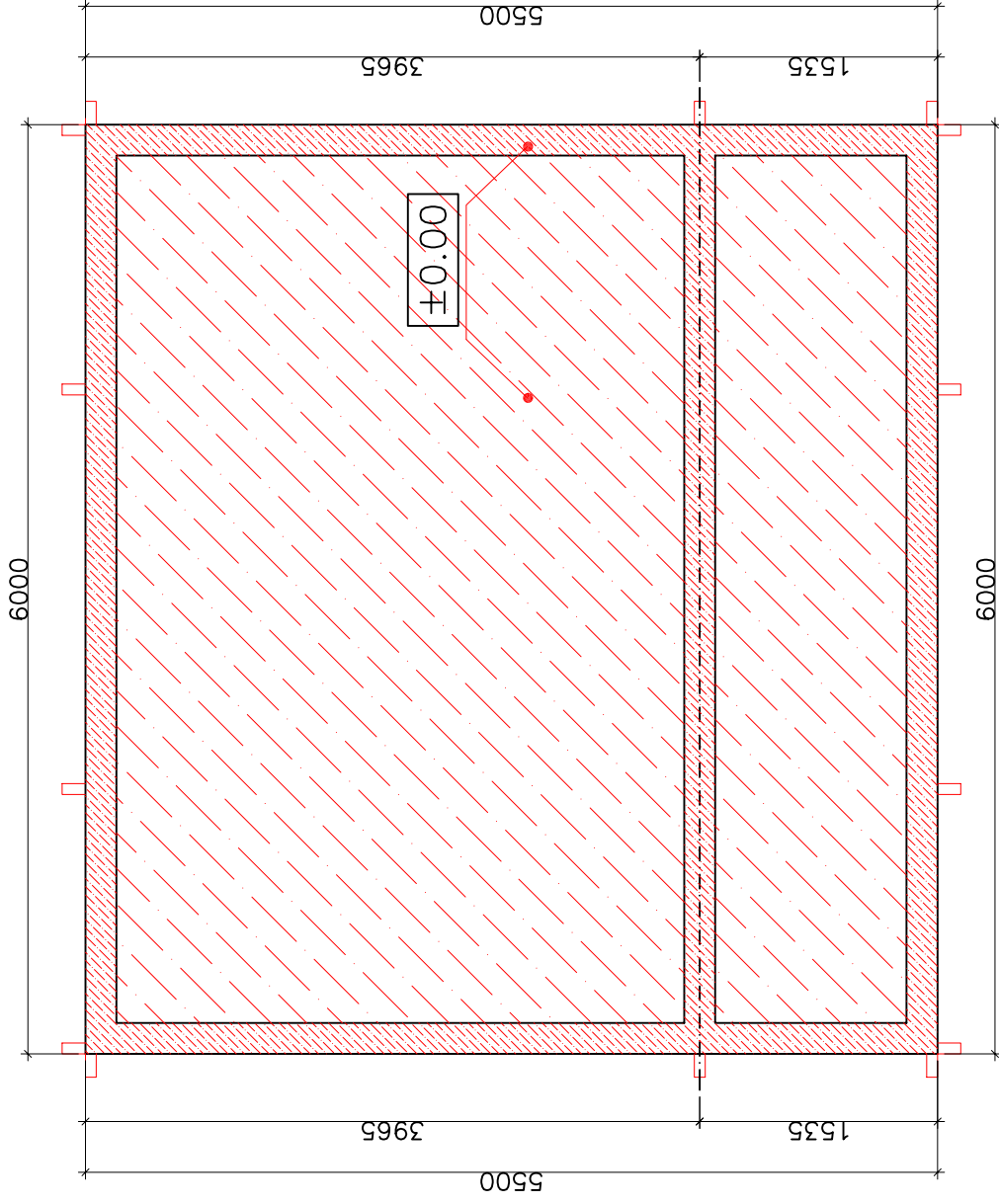


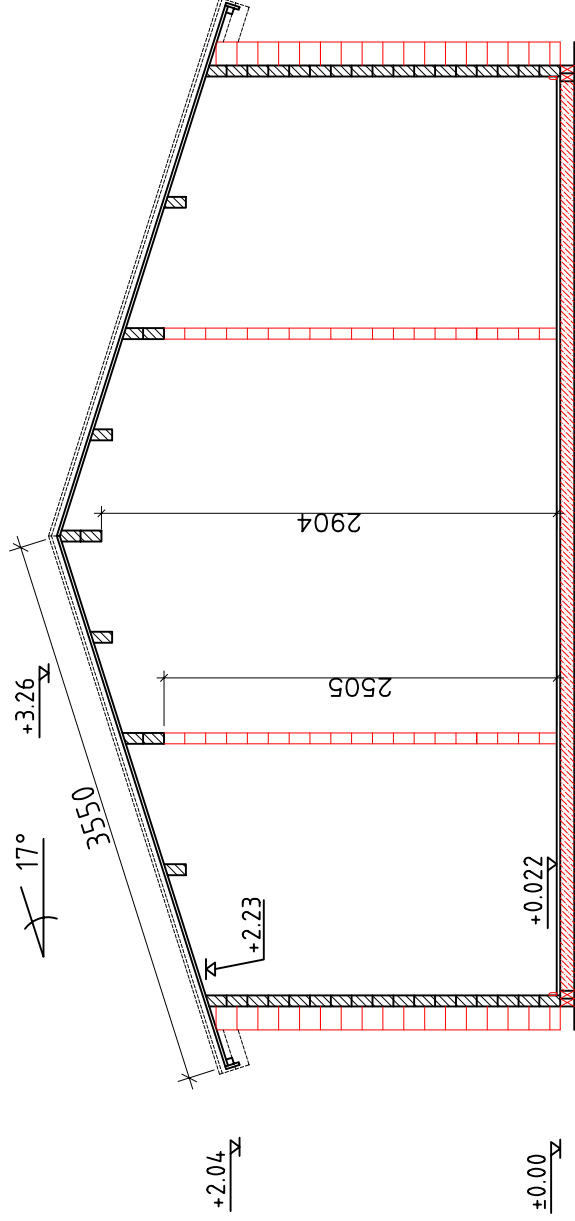
Section -B



Section -C

Section -D

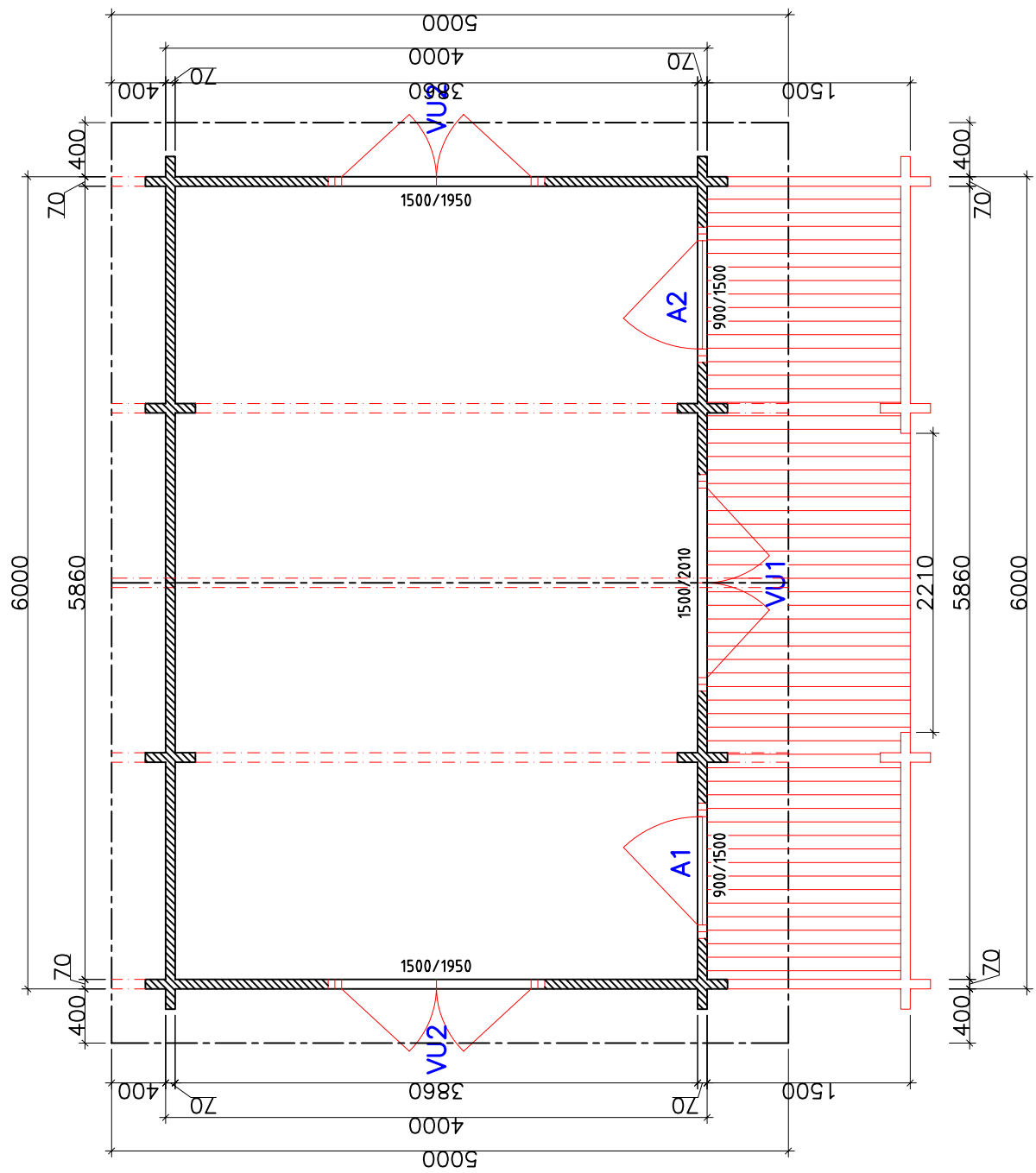
Section -A



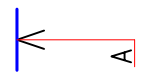
Cross-section A-A

CROSS-SECTION		Page: 4.4
Drawn by: Tigane	RYAN 4x6	Measure: 1:50

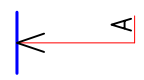
Section -B



Section -C

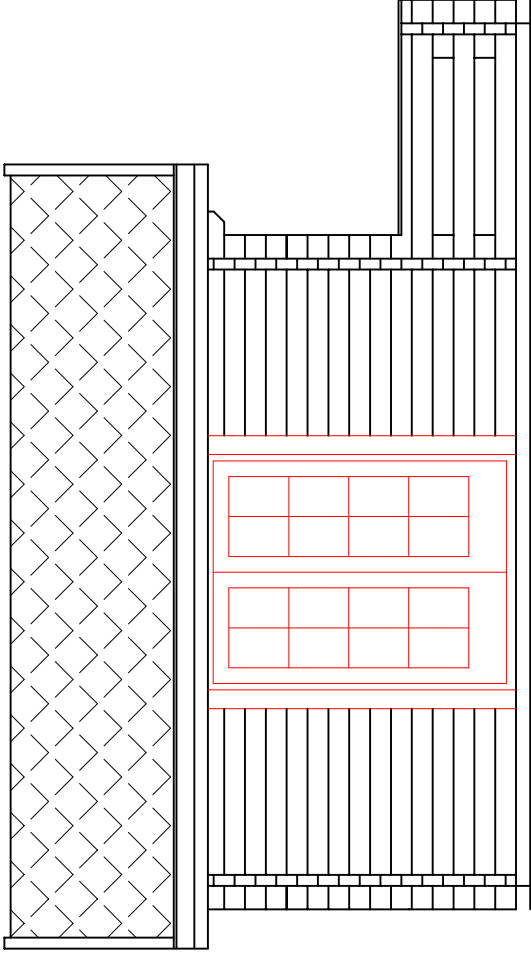


Section -D

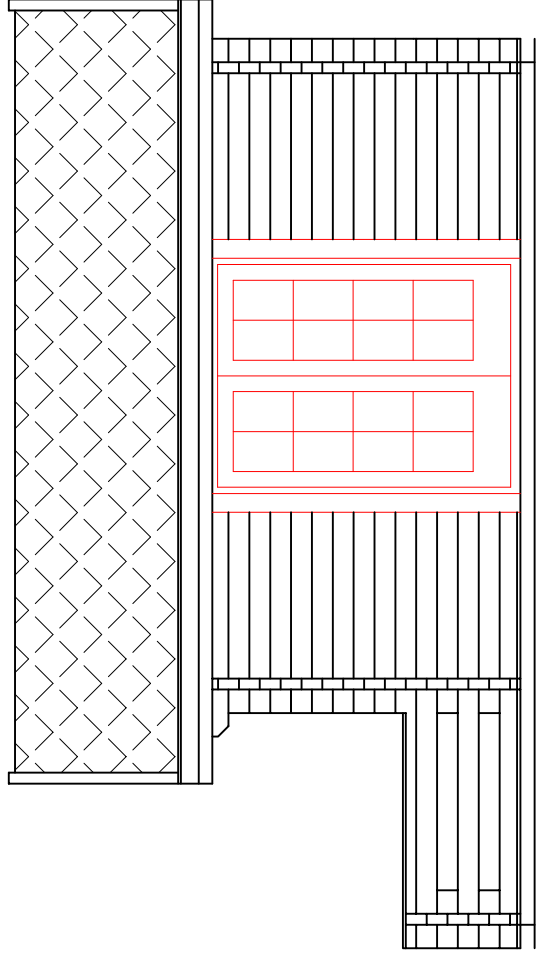


Section -A

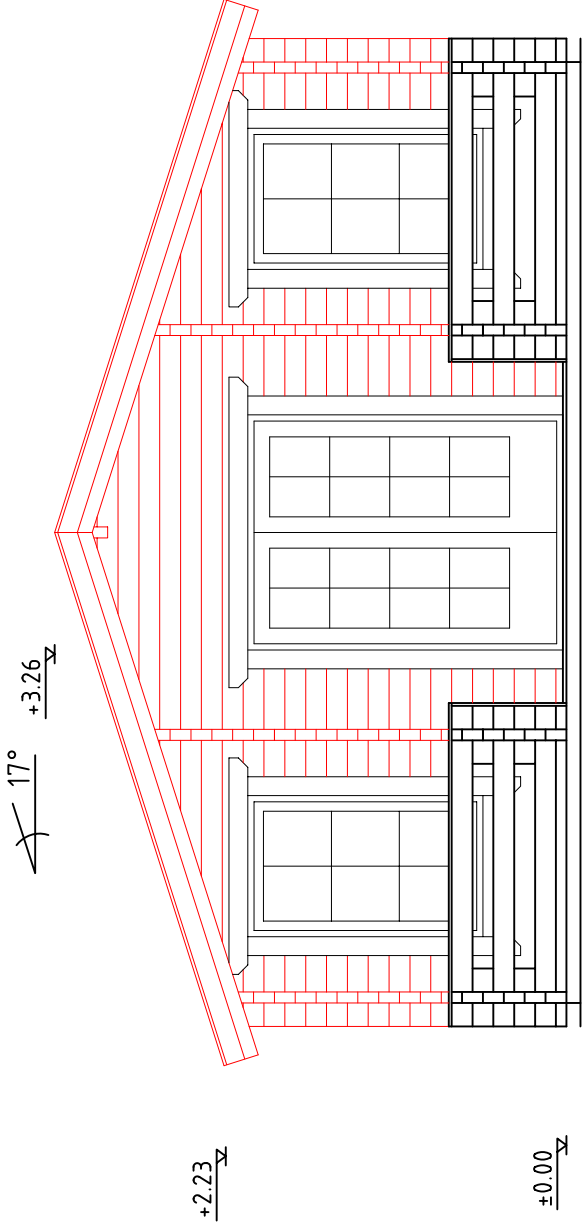
Drawn by: Tarmo Tigane RYAN 4x6	GROUND PLAN	Page:4.2
		Measure: 1:50



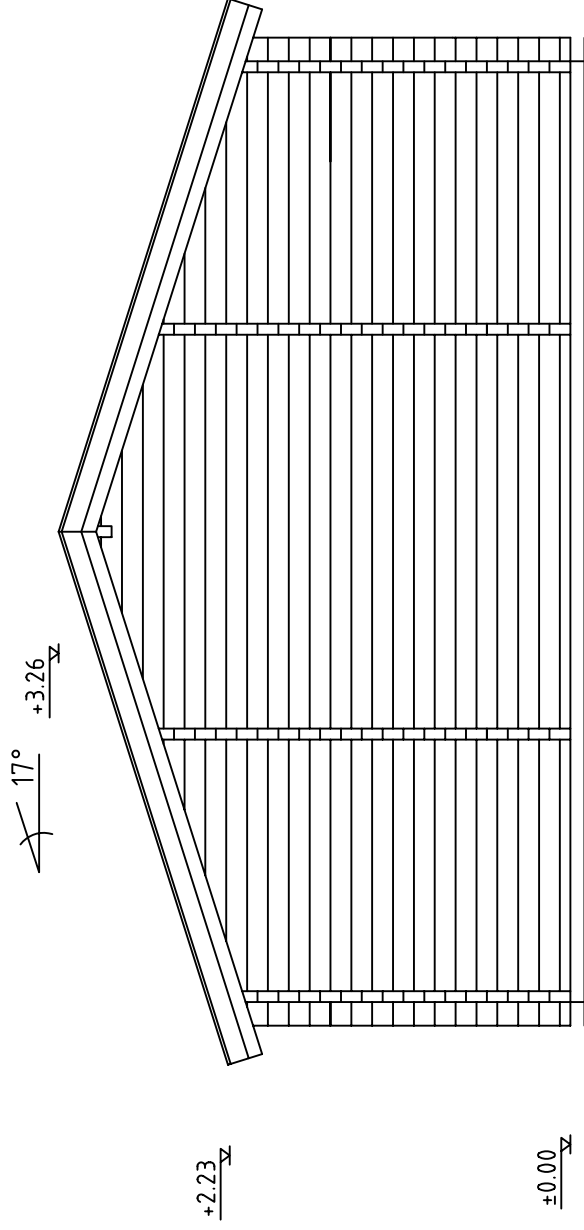
Section -C



Section -D



Section-A



Section-B